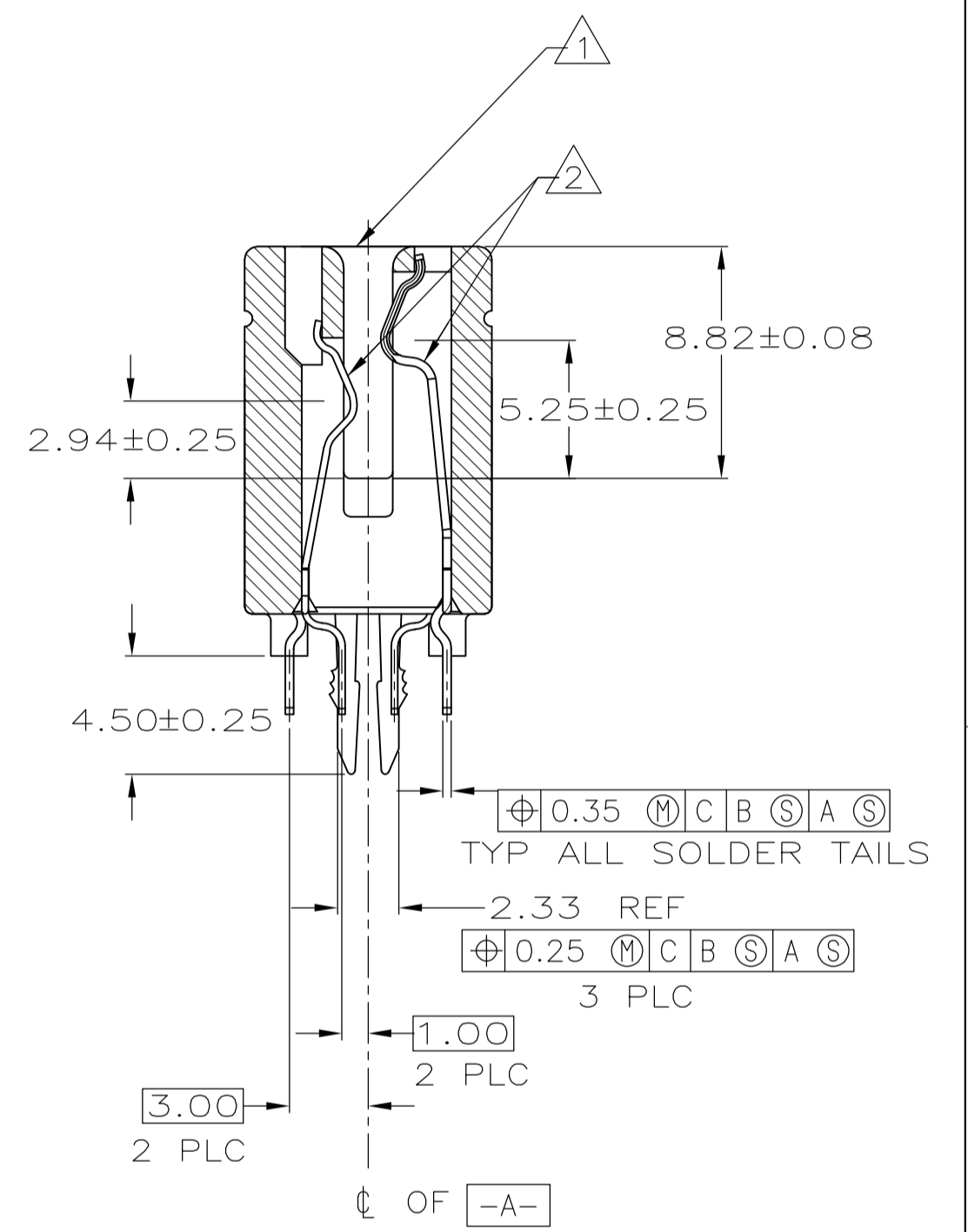
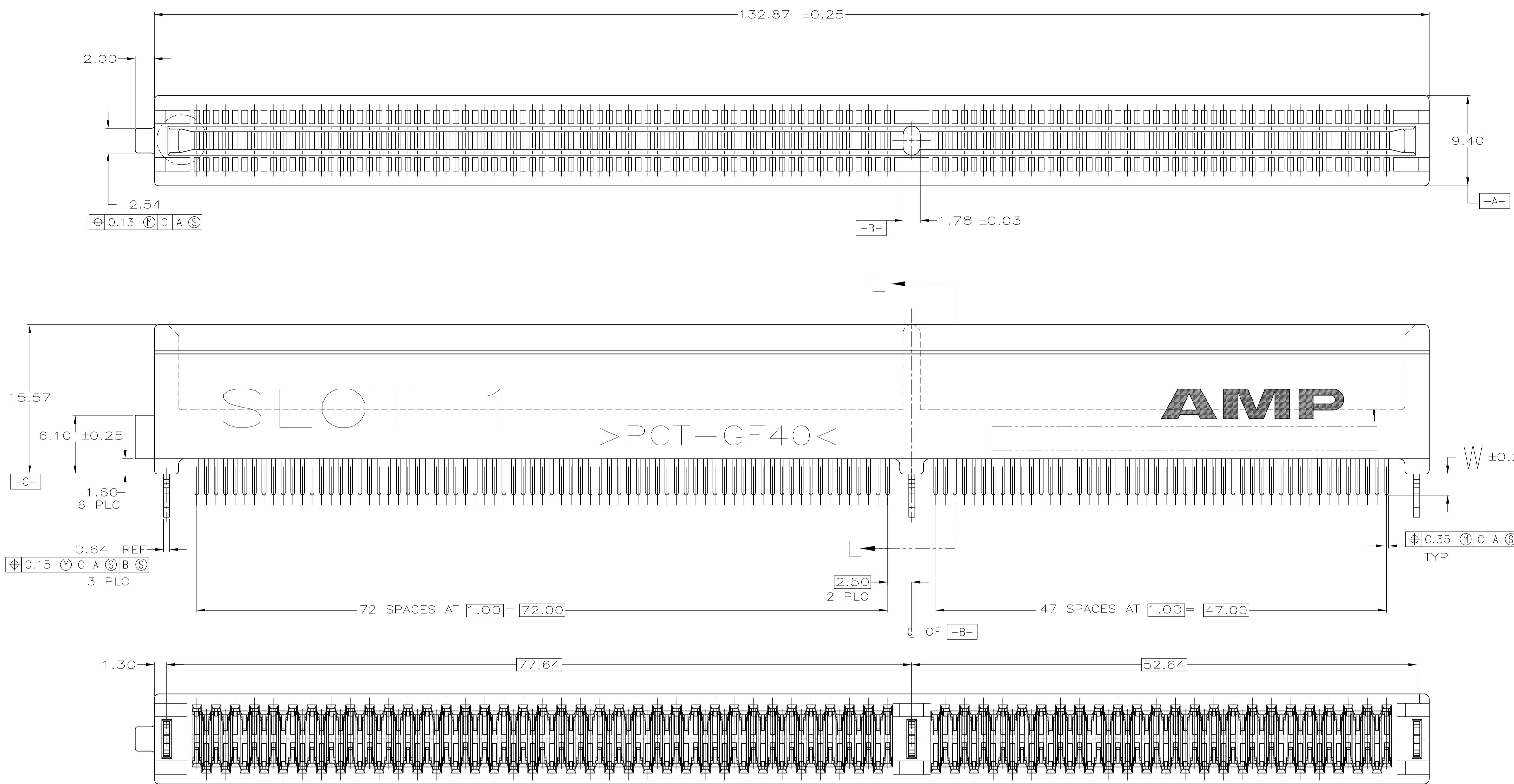


LOC	DIST	REV	LTR	DESCRIPTION	DATE	DWN	APVD
AD	14	A		REVISED PER 0430-0163-97	5/15/97	RB	MB
		B		REVISED PER 0430-0204-97	6/3/97	RB	MB
		C		REVISED PER 0430-0286-97	8/14/97	RB	MB
		D		REVISED PER 0G51-0101-98	7/15/98	RB	DD
		E		REVISED PER 0G51-0107-98	8/4/98	RB	DD
		F		REV PER EC 0G51-0226-98	01/17/99	MM	EL
		G		REV PER EC 0G51-0294-98	01/20/99	MM	DD
		H		REV PER 0G51-0062-99	05/17/99	MM	EL
		H1		REV PER ECO-09-021826	07JAN10	KK	AEG



- △ MATERIAL: HOUSING, THERMOPLASTIC, COLOR: BROWN.
CONTACTS, PHOSPHOR BRONZE.
HOLD-DOWNS, BRASS.
- △ FINISH: CONTACTS, 1.27 MIN. MICROMETERS NICKEL ALL OVER,
0.38 MIN. MICROMETERS GOLD OVER NICKEL IN CONTACT AREA,
- △ FINISH: 2.54 MIN MICROMETERS TIN-LEAD OVER NICKEL ON SOLDER TAILS.
- △ FINISH: CONTACTS, 1.27 MIN. MICROMETERS NICKEL ALL OVER,
0.0254-0.0762 MICROMETERS GOLD OVER NICKEL IN CONTACT AREA.
2.54 MIN. MICROMETERS TIN-LEAD OVER NICKEL ON SOLDER TAILS.
- △ OBSOLETE PARTS: OBSOLETE CIS STREAMLINING PER D.RENAUD/D.SINISI

OBSOLETE	△	△	3.18	145251-6
△	△	△	2.54	145251-5
	△	△	3.18	145251-3
	△	△	2.54	145251-2
△ OBSOLETE	△	△	2.16	145251-1
	PLATING	W		PART NO

THIS DRAWING IS A CONTROLLED DOCUMENT.

DIMENSIONS:	TOLERANCES UNLESS OTHERWISE SPECIFIED:	DWN	R BROWN	1/6/97
mm	0 PLC ±	CHK	M BOWERS	1/6/97
	1 PLC ±	APVD	D SARVER	1/6/97
	2 PLC ±0.13	NAME	AMP, 1mm STANDARD EDGE ASSEMBLY, 242 POSITION	
	3 PLC ±	PRODUCT SPEC	-	
	4 PLC ±	APPLICATION SPEC	-	
	ANGLES ±	SIZE	A1	00779
	FINISH	WEIGHT	-	
MATERIAL	△	CUSTOMER DRAWING	SCALE	4:1

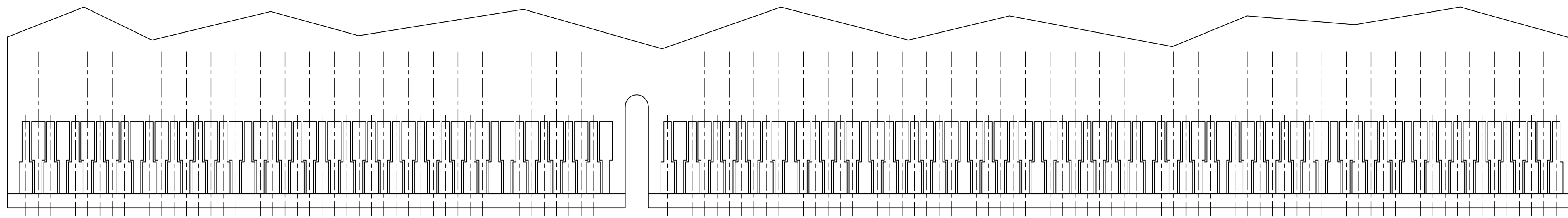
AMP Incorporated
Harrisburg, PA 17105-3608

AMP, 1mm STANDARD EDGE ASSEMBLY, 242 POSITION

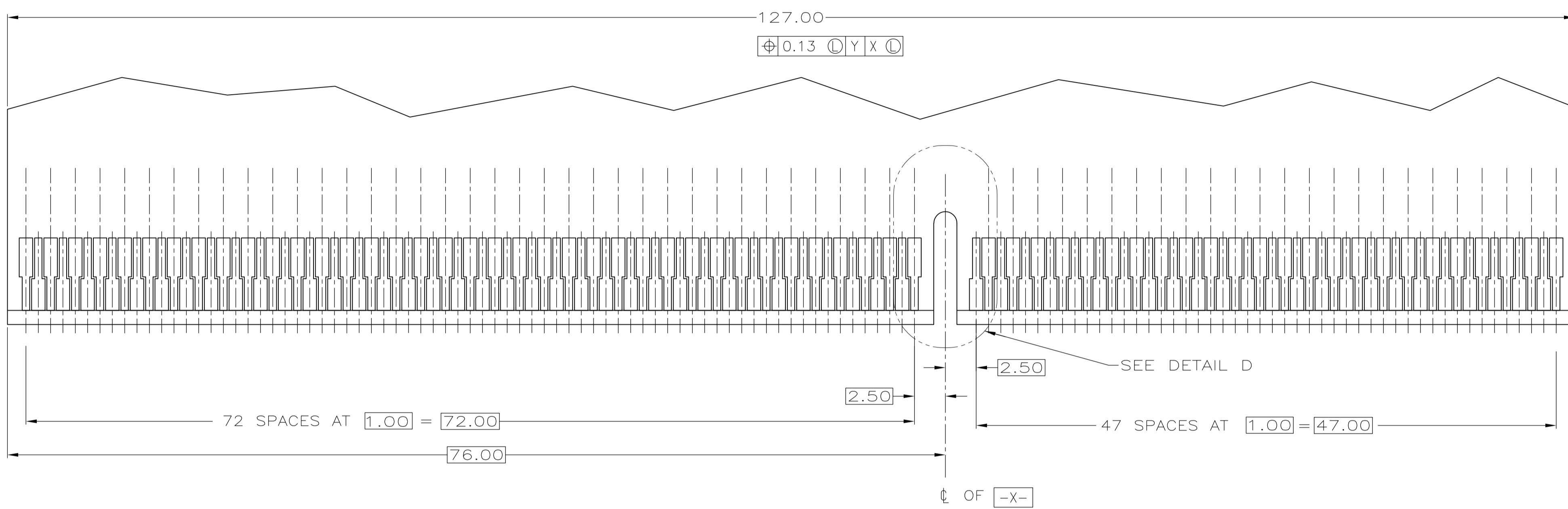
SIZE: A1 00779 C-145251

SCALE: 4:1 SHEET 1 OF 2 REV H1

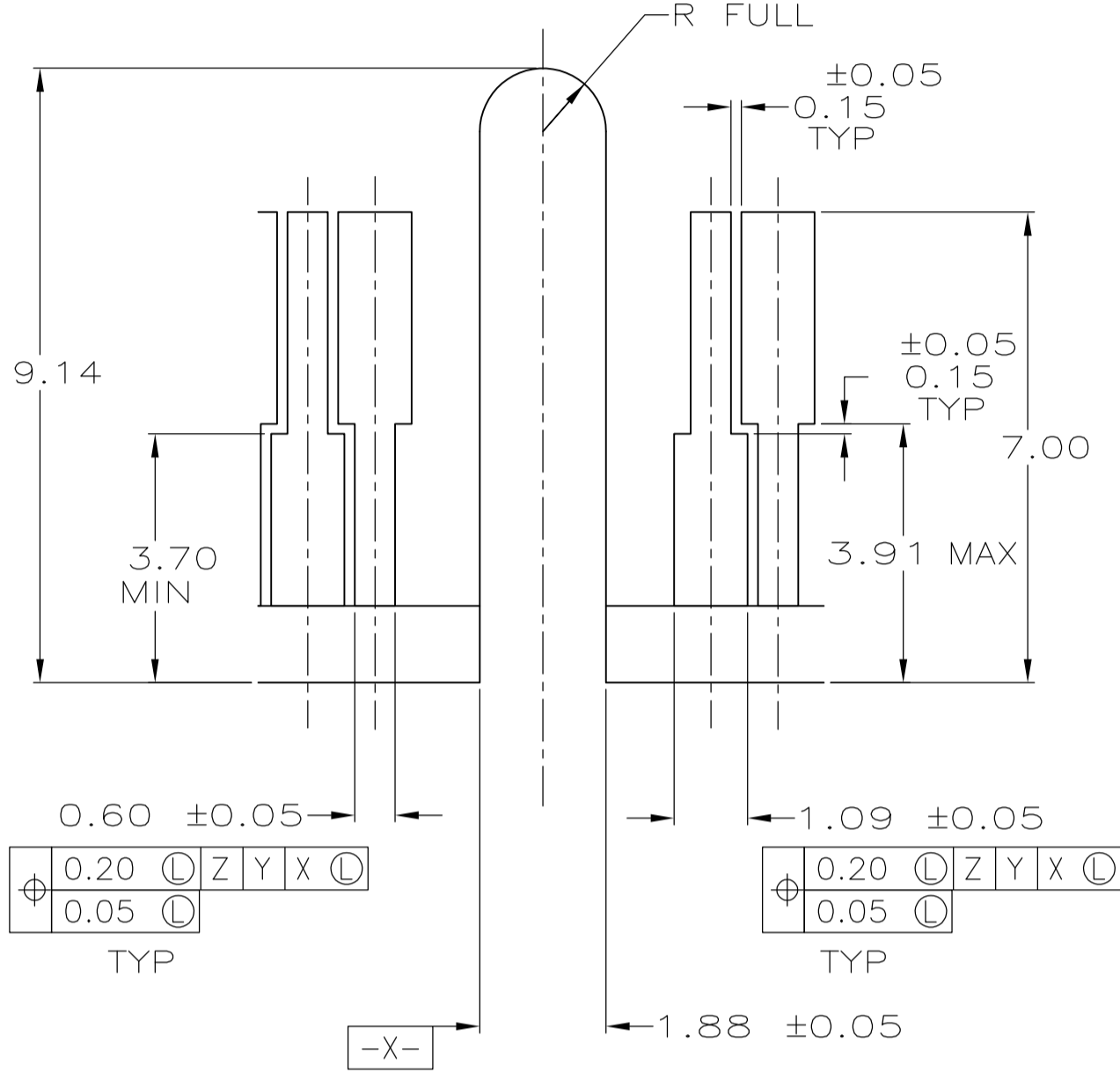
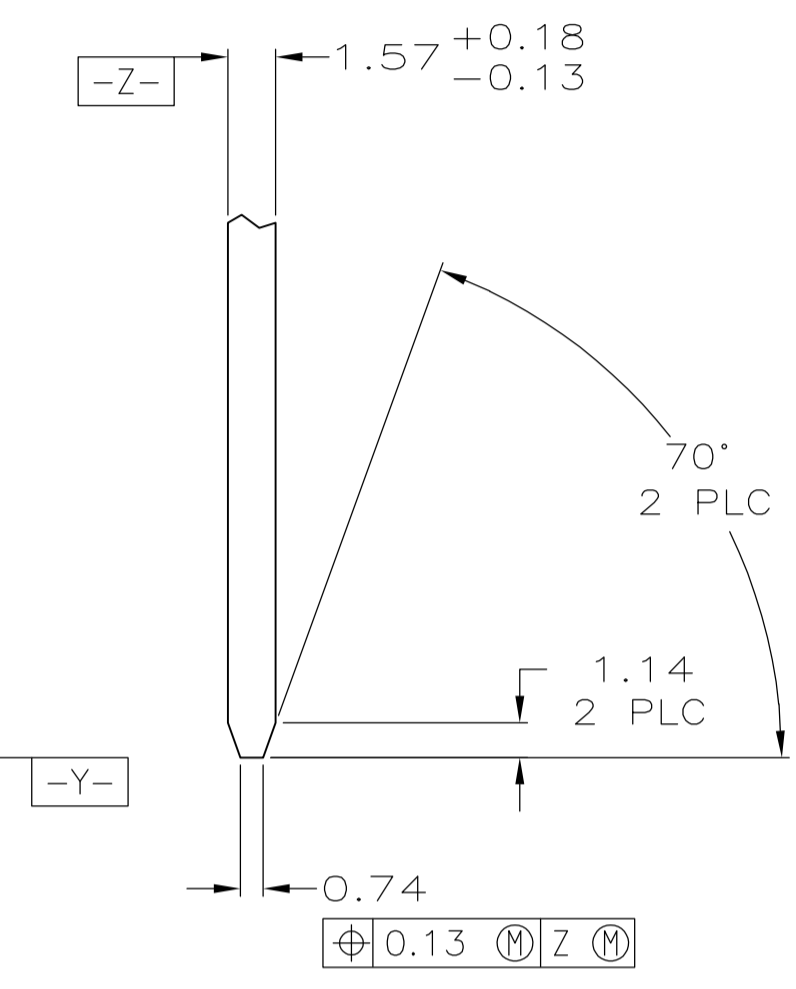
LOC		DIST		REVISIONS			
P	LTR	DATE	DWN	APVD			
H1	SEE SHEET 1						



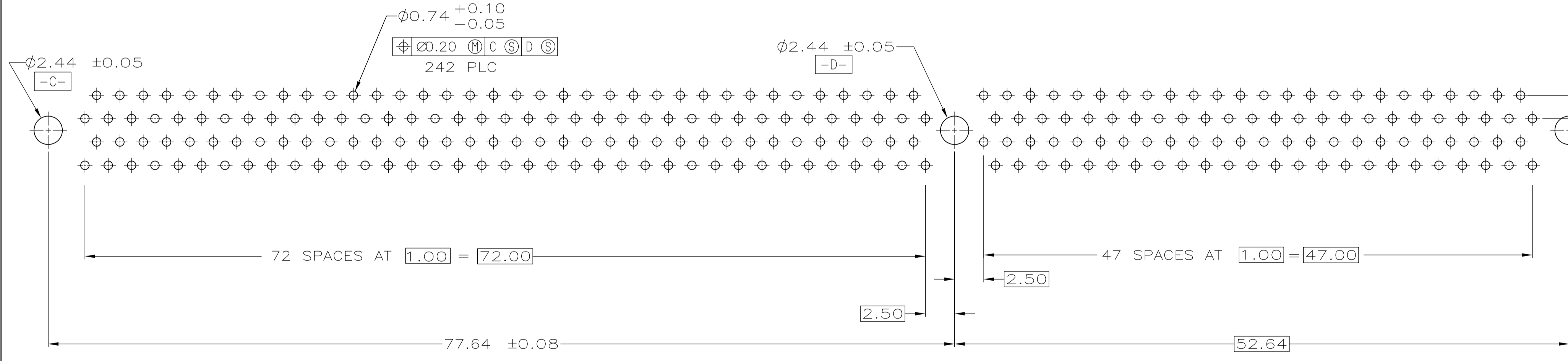
RECOMMENDED CONNECTOR MATING PAD PATTERN
 (SECONDARY SIDE SHOWN)



RECOMMENDED CONNECTOR MATING PAD PATTERN
 (PRIMARY SIDE SHOWN)



DETAIL D
 SCALE 10:1



RECOMMENDED CONNECTOR MOUNTING HOLE PATTERN
 (CONNECTOR SIDE SHOWN)

THIS DRAWING IS A CONTROLLED DOCUMENT.		DWN R. BROWN	1/6/96	AMP	AMP Incorporated Harrisburg, PA 17105-3608
DIMENSIONS: mm		CHK M. BOWERS	1/6/96		
TOLERANCES UNLESS OTHERWISE SPECIFIED:		APVD D. SARVER	1/6/96	NAME	
0 PLC ±		PRODUCT SPEC		AMP, 1mm \downarrow STANDARD EDGE ASSEMBLY, 242 POSITION	
1 PLC ±		APPLICATION SPEC		SIZE CAGE CODE DRAWING NO	
2 PLC ±0.13		WEIGHT		A1 00779 C-145251	
3 PLC ±		CUSTOMER DRAWING		SCALE 4:1 SHEET 2 OF 2 REV H1	
4 PLC ±					
ANGLES ±					
FINISH					