

DWG. NO. SD-54393-017

F

D

V

C

B

DO NOT SCALE DRAWING

8

7

6

5

4

3

2

1

F

E

D

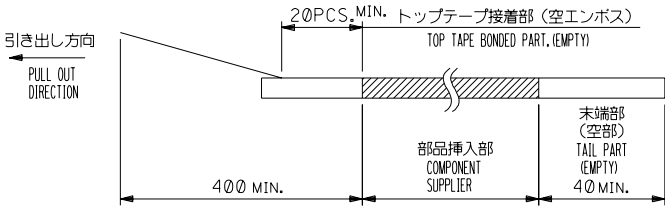
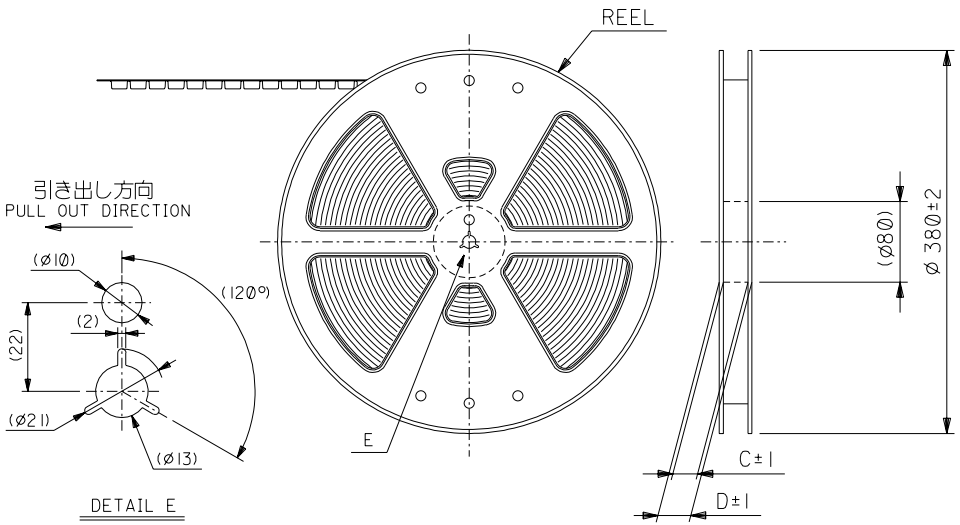
C

B

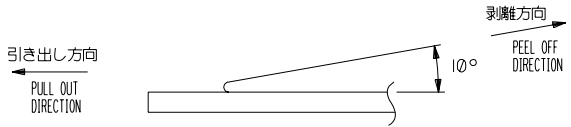
SD-54393-017.S01

注記 NOTES

- 製品詳細寸法については、図面SD-54393-022を参照下さい。
RE DETAILED DIMENSION, SEE SD-54393-022.
- 梱包数量：2000個/リール
NUMBER OF CONNECTORS : 2000PCS/REEL
- リードテープ長さ LEAD TAPE LENGTH



- トップテープの剥離強度：0.1N~1.3N {10gf~130gf}
(剥離方向は下図参照)
尚、本規格値は出荷時に適用。(但し、輸送時に剥離が発生しないこと。)
PEELING OFF FORCE OF TOP TAPE : 0.1N ~ 1.3N {10gf ~ 130gf}
(PEELING DIRECTION AS SHOWN IN FOLLOWING FIG,)
THIS REQUIREMENT SHOULD BE APPLIED AT SHIPMENT.
PEEL OFF SHOULD NOT BE ALLOWED, DURING TRANSPORTATION.

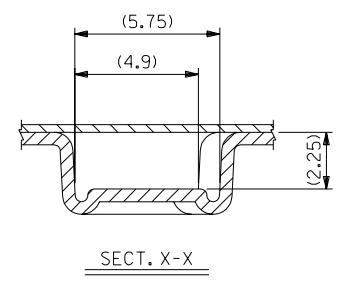
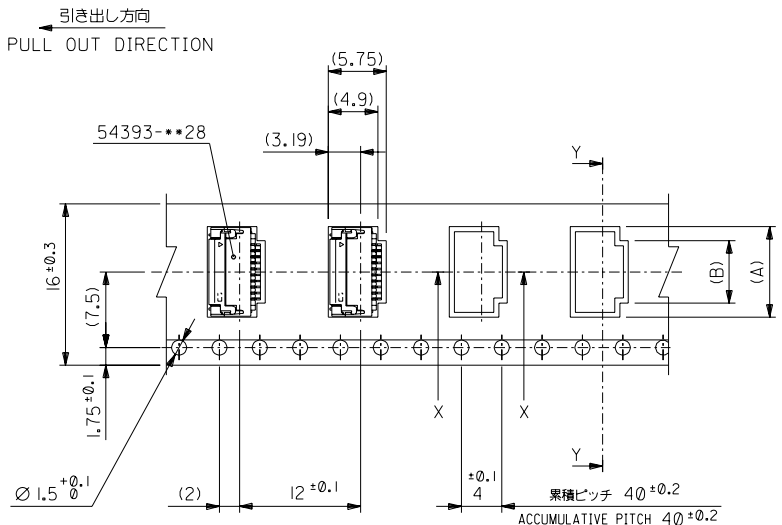
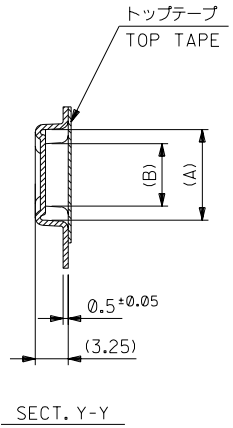


- 材料 (MATERIAL)
キャリアテープ (CARRIER TAPE) : ポリプロピレン (POLYPROPYLENE)
トップテープ (TOP TAPE) : PET, PE, PEF
リール (REEL) : ポリスチレン (PS) <リサイクル材を含む>
POLYSTYREN (PS) <RECYCLE MATERIAL CONTAINED>
- 本製品は54393-**92の鉛フリー品です。
THIS PRODUCT IS LEAD FREE OF 54393-**92

EC NO. DRWN: CHK: APPR:		EC NO. DRWN: CHK: APPR:		EC NO. DRWN: CHK: APPR:		REVISED EC NO. J2004-2846 DRWN:MINOMIYA '04/03/03 CHK: K.TOUJO '04/03/03 APPR:M.SASAO '04/03/03 RELEASED EC NO. J2004-1672 DRWN:T.UENO '03/12/22 CHK: M.SASAO '03/12/22 APPR:M.SASAO '03/12/22		MATERIAL 材料 注記参照 SEE NOTES		GENERAL TOLERANCES: (UNLESS SPECIFIED) 一般公差		54393-**82 SCALE: --// DESIGN UNITS: <input checked="" type="checkbox"/> mm <input type="checkbox"/> INCH		MODEL NO. THIRD ANGLE PROJECTION		DIMENSIONS: <input type="checkbox"/> mm <input type="checkbox"/> INCH <input checked="" type="checkbox"/> mm ONLY		SHT REVISE ON CAD ONLY					
A		0		//		//		//		//		DRAWN BY & DATE T.UENO '03/12/22		TITLE: 0.3 FPC Conn (Easy on) Hsg Assy Embstp Pkg -LEAD FREE-		APPROVED BY & DATE M.SASAO '03/12/22		MATERIAL NO. SEE CHART		DRAWING NO. SD-54393-017		SHEET NO. 1 OF 4	
8		7		6		5		4		3		2		1		EN-02J(097) MXJ-54							

THIS DRAWING CONTAINS INFORMATION THAT IS PROPRIETARY TO MOLEX INCORPORATED AND SHOULD NOT BE USED WITHOUT WRITTEN PERMISSION.

SIZE B



16mm幅キャリアテープ
16mm WIDTH CARRIER TAPE

16	21.4	17.4	5.0	7.8	54393-1782	17
キャリアテープ幅 CARRIER TAPE WIDTH	D	C	B	A	MATERIAL NO.	種数 CKT.

SCALE	DESIGN UNITS	MODEL NO.	DIMENSIONS:		SHT	REV
—//	<input checked="" type="checkbox"/> mm <input type="checkbox"/> INCH	54393-***82	<input type="checkbox"/> mm <input type="checkbox"/> INCH	<input checked="" type="checkbox"/> mm <input type="checkbox"/> ONLY		
THIRD ANGLE PROJECTION		TITLE:		REVISION		

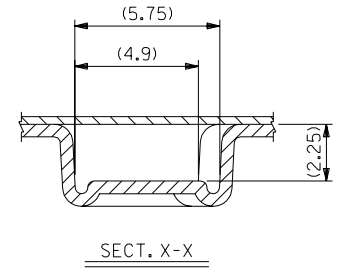
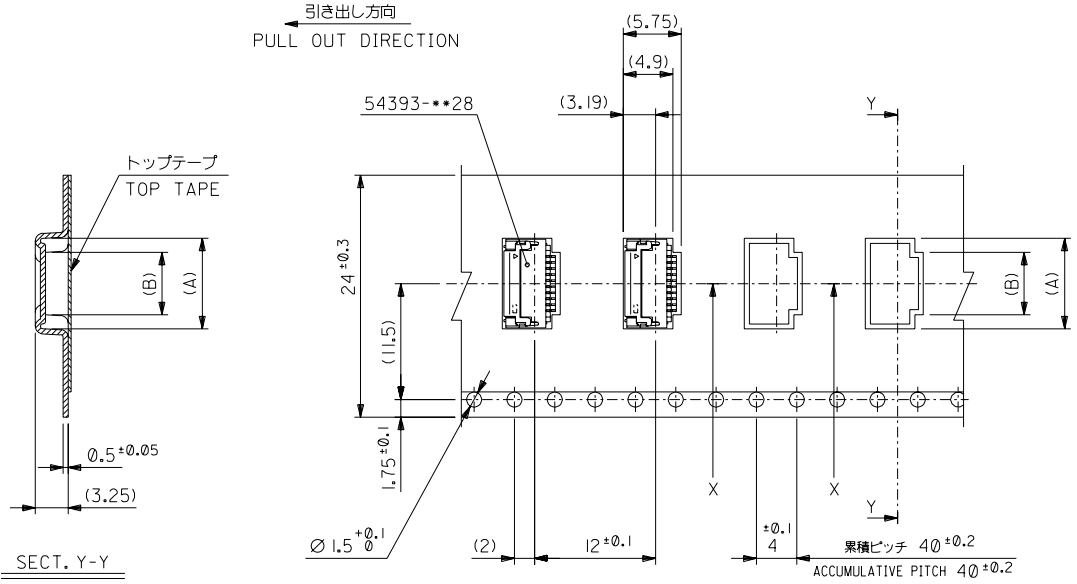
DRAWN BY & DATE T.UENO '03/12/22	TITLE: 0.3 FPC Conn (Easy on) Hsg Assy Embstp Pkg -LEAD FREE-	
CHECKED BY & DATE M.SASAO '03/12/22	MOLEX INCORPORATED	
APPROVED BY & DATE M.SASAO '03/12/22	MATERIAL NO. SEE CHART	DRAWING NO. SD-54393-017

CAD FILENAME SD-54393-017.S02	MATERIAL NO. SEE CHART	DRAWING NO. SD-54393-017	SHEET NO. 2 OF 4
----------------------------------	---------------------------	-----------------------------	---------------------

THIS DRAWING CONTAINS INFORMATION THAT IS PROPRIETARY TO MOLEX INCORPORATED AND SHOULD NOT BE USED WITHOUT WRITTEN PERMISSION. SIZE B

EC NO. DRWN: CHK: APPR:	EC NO. DRWN: CHK: APPR:	EC NO. DRWN: CHK: APPR:	REVISED EC NO. J2004-2846 DRWN: MANIOMIYA '04/03/03 CHK: K. TOJO '04/03/03 APPR: M.SASAO '04/03/03 RELEASED EC NO. J2004-1672 DRWN: T.UENO '03/12/22 CHK: M.SASAO '03/12/22 APPR: M.SASAO '03/12/22	MATERIAL 材料 注記参照 SEE NOTES	GENERAL TOLERANCES: (UNLESS SPECIFIED) 一般公差
				FINISH 仕上げ //	10 UNDER 未満 ±0.2
				WIRE RANGE 適用線径範囲 //	10 OVER 以上 30 UNDER 未満 ±0.25
				INS. RANGE 被覆外径 //	30 OVER 以上 ±0.3
					ANGLE 角度 ±3°

DWG. NO. SD-54393-017

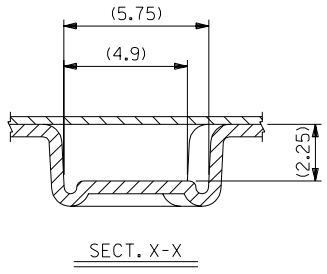
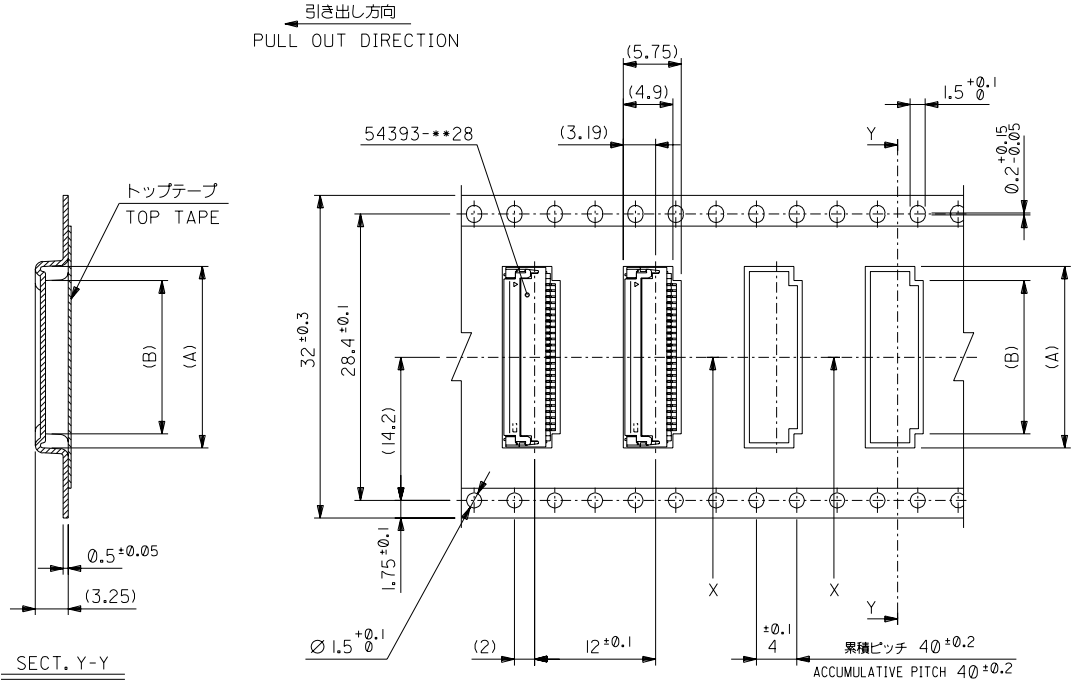


24mm幅キャリアテープ
24mm WIDTH CARRIER TAPE

24	29.4	25.4	13.4	16.2	54393-4582	45
			11.6	14.4	54393-3982	39
			9.8	12.6	54393-3382	33
			8	10.8	54393-2782	27
			6.8	9.6	54393-2382	23
			6.2	9.0	54393-2182	21
キャリアテープ幅 CARRIER TAPE WIDTH	D	C	B	A	MATERIAL NO.	種数 CKT.

DO NOT SCALE DRAWING

EC NO. DRWN: CHK: APPR:	EC NO. DRWN: CHK: APPR:	EC NO. DRWN: CHK: APPR:	REVISED EC NO. J2004-2846 DRWN:MINOMIYA '04/03/03 CHK: K.TOUJO '04/03/03 APPR:M.SASAO '04/03/03 RELEASED	EC NO. J2004-1672 DRWN:T.UENO '03/12/22 CHK: M.SASAO '03/12/22 APPR:M.SASAO '03/12/22	MATERIAL 材料 注記参照 SEE NOTES	GENERAL TOLERANCES: (UNLESS SPECIFIED) 一般公差	SCALE --// DESIGN UNITS <input checked="" type="checkbox"/> mm <input type="checkbox"/> INCH	MODEL NO. 54393-***82	DIMENSIONS: <input type="checkbox"/> mm <input type="checkbox"/> INCH <input checked="" type="checkbox"/> mm ONLY		SHT	REV		
			A	0	FINISH 仕上げ //	10 UNDER 未満 ±0.2	DRAWN BY & DATE T.UENO '03/12/22	TITLE: 0.3 FPC Conn (Easy on) Hsg Assy Embstp Pkg -LEAD FREE-						
					WIRE RANGE 適用層線範囲 //	10 OVER 30 UNDER 以上 未満 ±0.25	CHECKED BY & DATE M.SASAO '03/12/22	APPROVED BY & DATE M.SASAO '03/12/22						
					INS. RANGE 被覆外径 //	30 OVER 以上 ±0.3	APPROVED BY & DATE M.SASAO '03/12/22	MATERIAL NO. SEE CHART				DRAWING NO. SD-54393-017	SHEET NO. 3 OF 4	
							ANGLE 角度 ±3°	CAD FILENAME SD-54393-017.S03				THIS DRAWING CONTAINS INFORMATION THAT IS PROPRIETARY TO MOLEX INCORPORATED AND SHOULD NOT BE USED WITHOUT WRITTEN PERMISSION.		SIZE B



32mm幅キャリアテープ
32mm WIDTH CARRIER TAPE

DO NOT SCALE DRAWING

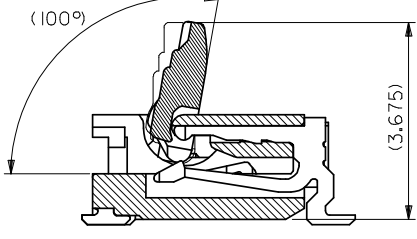
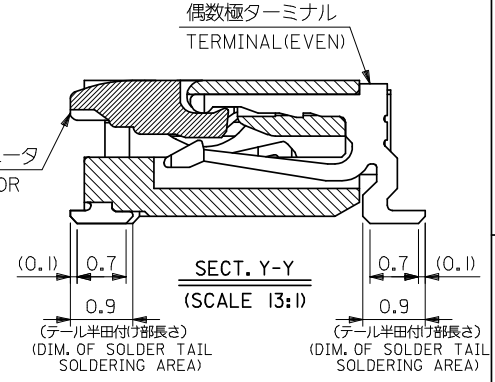
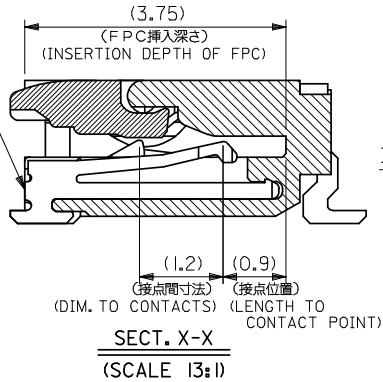
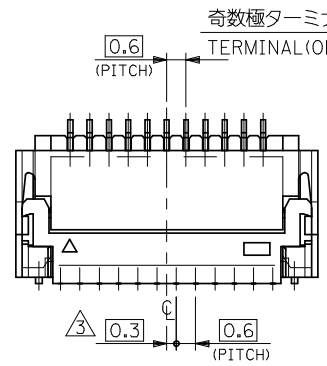
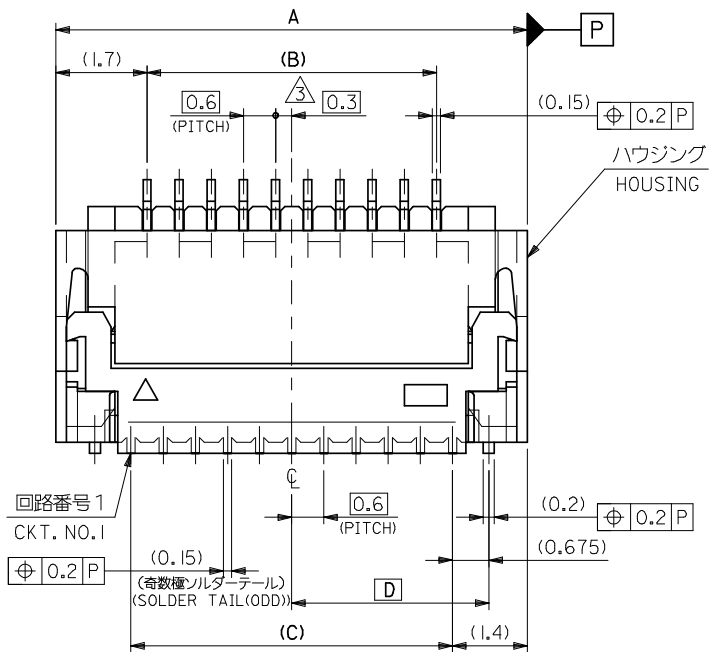
EC NO. DRWN: CHK: APPR:	EC NO. DRWN: CHK: APPR:	EC NO. DRWN: CHK: APPR:
----------------------------------	----------------------------------	----------------------------------

REVISED EC NO. J2004-2846 DRWN:MINOMIYA '04/03/03 CHK: K.TOUJ '04/03/03 APPR:M.SASAO '04/03/03	RELEASED EC NO. J2004-1672 DRWN:T.UENO '03/12/22 CHK: M.SASAO '03/12/22 APPR:M.SASAO '03/12/22
--	--

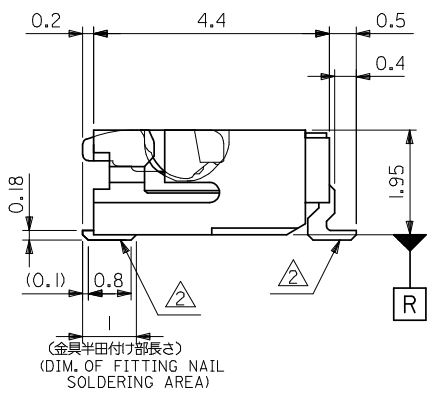
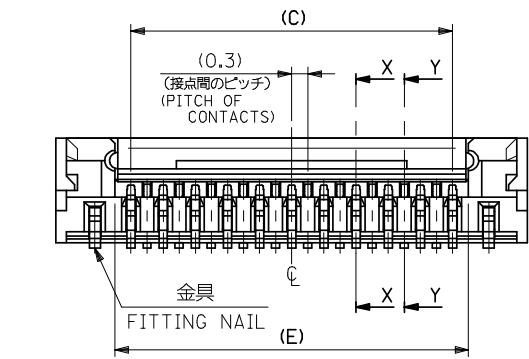
MATERIAL 材料	注記参照 SEE NOTES
FINISH 仕上げ	//
WIRE RANGE 適用線径範囲	//
INS. RANGE 被覆外径	//

GENERAL TOLERANCES: (UNLESS SPECIFIED) 一般公差	10 UNDER 未満	±0.2
	10 OVER 30 UNDER 以上 未満	±0.25
	30 OVER 以上	±0.3
ANGLE 角度		±3°

32	37.4	33.4	15.2	18.0	54393-5182	51
キャリアテープ幅 CARRIER TAPE WIDTH	D	C	B	A	MATERIAL NO.	種数 CKT.
SCALE //	DESIGN UNITS <input checked="" type="checkbox"/> mm <input type="checkbox"/> INCH	MODEL NO. 54393-***82	DIMENSIONS: <input type="checkbox"/> mm <input type="checkbox"/> INCH <input checked="" type="checkbox"/> mm ONLY		SHT	REV
DRAWN BY & DATE T.UENO '03/12/22	CHECKED BY & DATE M.SASAO '03/12/22	THIRD ANGLE PROJECTION		TITLE: 0.3 FPC Conn (Easy on) Hsg Assy Embstp Pkg -LEAD FREE-		
APPROVED BY & DATE M.SASAO '03/12/22	CAD FILENAME SD-54393-017.S04		MATERIAL NO. SEE CHART		DRAWING NO. SD-54393-017	SHEET NO. 4 OF 4
THIS DRAWING CONTAINS INFORMATION THAT IS PROPRIETARY TO MOLEX INCORPORATED AND SHOULD NOT BE USED WITHOUT WRITTEN PERMISSION.						SIZE B



アクチュエータを開口した状態
WHEN ACTUATOR IS OPENED

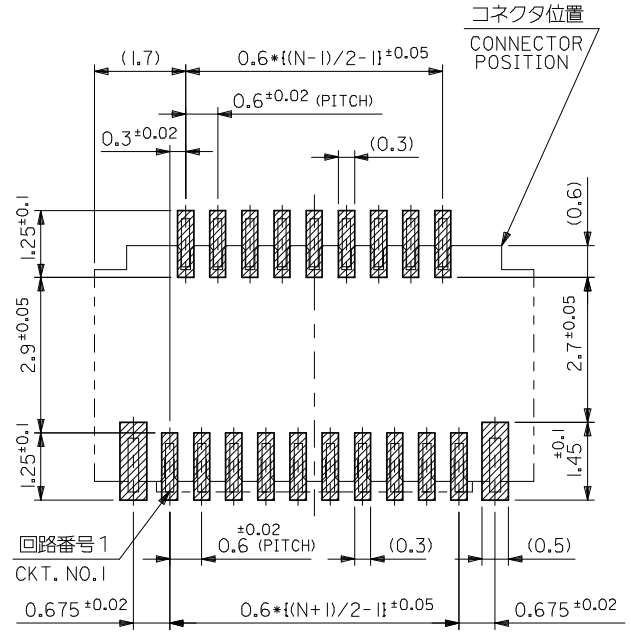


注記 NOTES

- 使用材料 MATERIAL
 ハウジング : LCP , UL94V-0
 HOUSING
 アクチュエータ : PPS , UL94V-0
 ACTUATOR
 ターミナル : リン青銅 (t=0.15), ニッケル下地鍍ピスマスメッキ
 TERMINAL : PHOS-BRO., TIN-BISMUTH OVER NICKEL PLATING.
 金具 : リン青銅 (t=0.2), ニッケル下地鍍メッキ
 FITTING NAIL : PHOS-BRO., TIN OVER NICKEL PLATING.
 ソルダーテール半田付け面のスレ量、及び金具半田付け面のスレ量は、基準面 R に対し、
 上方向 OMA X、下方向 O、1.8 MAX. とする。
 又、相互のパラッキ量は O、1 MAX. とする。
 MISALIGNMENT OF SOLDER TAILS AND FITTING NAILS FROM R
 UPPER DIRECTION : 0 MAX., LOWER DIRECTION : 0.18 MAX.
 OFFSET BETWEEN SOLDER TAILS AND FITTING NAILS : 0.1 MAX.
 (N-1)/2 が偶数の場合、偶数極側に適用。
 (N-1)/2 が奇数の場合、奇数極側に適用。
 IF (N-1)/2 = EVEN, APPLY FOR EVEN CIRCUIT SIDE,
 IF (N-1)/2 = ODD, APPLY FOR ODD CIRCUIT SIDE,
- 一般公差 : ±0.3
 GENERAL TOLERANCES : ±0.3
- 本製品は 54393-**27 の鉛フリー品です
 THIS PRODUCT IS LEAD FREE OF 54393-**27

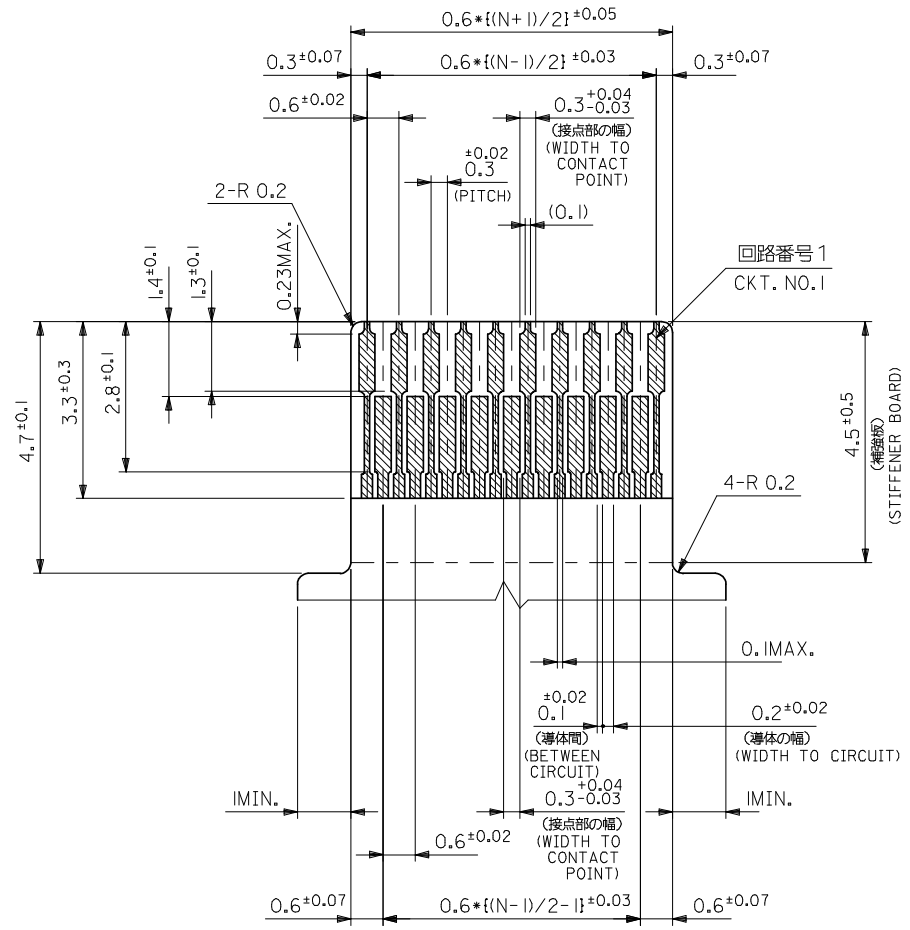
15.6	8.175	15	14.4	17.8	54393-5182	54393-5128	51
13.8	7.275	13.2	12.6	16	54393-4582	54393-4528	45
12	6.375	11.4	10.8	14.2	54393-3982	54393-3928	39
10.2	5.475	9.6	9	12.4	54393-3382	54393-3328	33
8.4	4.575	7.8	7.2	10.6	54393-2782	54393-2728	27
7.2	3.975	6.6	6.0	9.4	54393-2382	54393-2328	23
6.6	3.675	6	5.4	8.8	54393-2182	54393-2128	21
5.4	3.075	4.8	4.2	7.6	54393-1782	54393-1728	17
E	D	C	B	A	EMBOSSED TAPE		MATERIAL NO. CKT.
					ORDER No. オート番号		

REVISED EC NO: J2008-4034 DRWN: WABEI 2008/05/28 CHKD: THARUYAMA 2008/05/28 APPR: NUKITA 2008/05/28	GENERAL TOLERANCES (UNLESS SPECIFIED)		DIMENSION STYLE MM ONLY		SCALE 10:1	DESIGN UNITS METRIC	THIRD ANGLE PROJECTION
	10 UNDER	± ---	DRAWN BY T. UENO	DATE '03/12/22	TITLE 0.3 FPC CONN (EASY ON) HSG ASSY -LEAD FREE-		
	10 OVER 30 UNDER	± ---	CHECKED BY M. SASAO	DATE '03/12/22			
	30 OVER	± ---	APPROVED BY M. SASAO	DATE '03/12/22	MOLEX INCORPORATED		
	ANGULAR	± --- °	MATERIAL NO. DOCUMENT NO.				
DRAFT WHERE APPLICABLE MUST REMAIN WITHIN DIMENSIONS		SEE TABLE		SD-54393-022		SHEET NO. 1 OF 2	



FPC挿入側
FPC INSERTION SIDE

参考基板レイアウト
RECOMMENDED P.C.BOARD
PATTERN DIM. (REF.)
(マウント面)
(MOUNTING SIDE)



適合FPC推奨寸法
APPLICABLE FPC
RECOMMENDED DIM.
(仕上がり厚さ: 0.2±0.03)
(THICKNESS: 0.2±0.03)

FPCについて:
打抜き方向は導体側から補強板側を推奨致します。
補強フィルム材質はポリイミドを推奨致します。
接着剤は熱硬化接着剤を推奨致します。

ABOUT FPC:
RECOMMENDED PUNCHER DIRECTION : FROM CONDUCTOR SIDE TO STIFFENER BOARD SIDE.
RECOMMENDED MATERIAL:
STIFFENER FILM : POLYIMIDE
BONDING AGENT : THERMOSETTING BONDING AGENT

REVISED EC NO: J2008-4034 DRWN:WABEI CHKD:THARUYAMA APPR:NUKITA	DESCRIPTION 2008/05/28 2008/05/28 2008/05/28	GENERAL TOLERANCES (UNLESS SPECIFIED)		DIMENSION STYLE MM ONLY		SCALE 10:1	DESIGN UNITS METRIC	THIRD ANGLE PROJECTION	
		10 UNDER	± ---	DRAWN BY T. UENO	DATE '03/12/22	TITLE 0.3 FPC CONN (EASY ON) HSG ASSY -LEAD FREE-			
		10 OVER 30 UNDER	± ---	CHECKED BY M. SASAO	DATE '03/12/22	MOLEX INCORPORATED			
		30 OVER	± ---	APPROVED BY M. SASAO	DATE '03/12/22	DOCUMENT NO. SD-54393-022		SHEET NO. 2 OF 2	
		ANGULAR	± --- °	MATERIAL NO. SEE SHEET 1					
DRAFT WHERE APPLICABLE MUST REMAIN WITHIN DIMENSIONS		THIS DRAWING CONTAINS INFORMATION THAT IS PROPRIETARY TO MOLEX INCORPORATED AND SHOULD NOT BE USED WITHOUT WRITTEN PERMISSION							