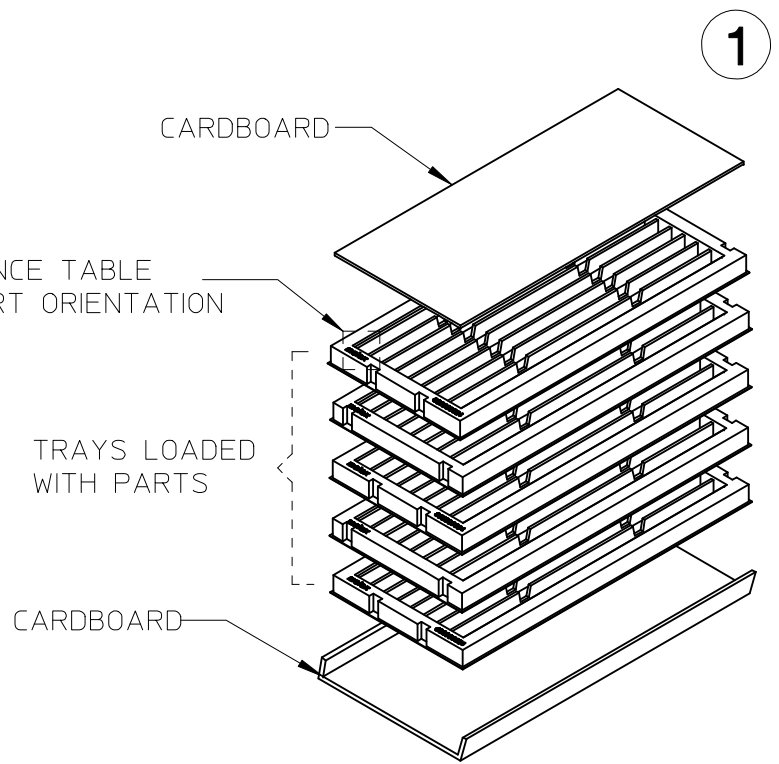
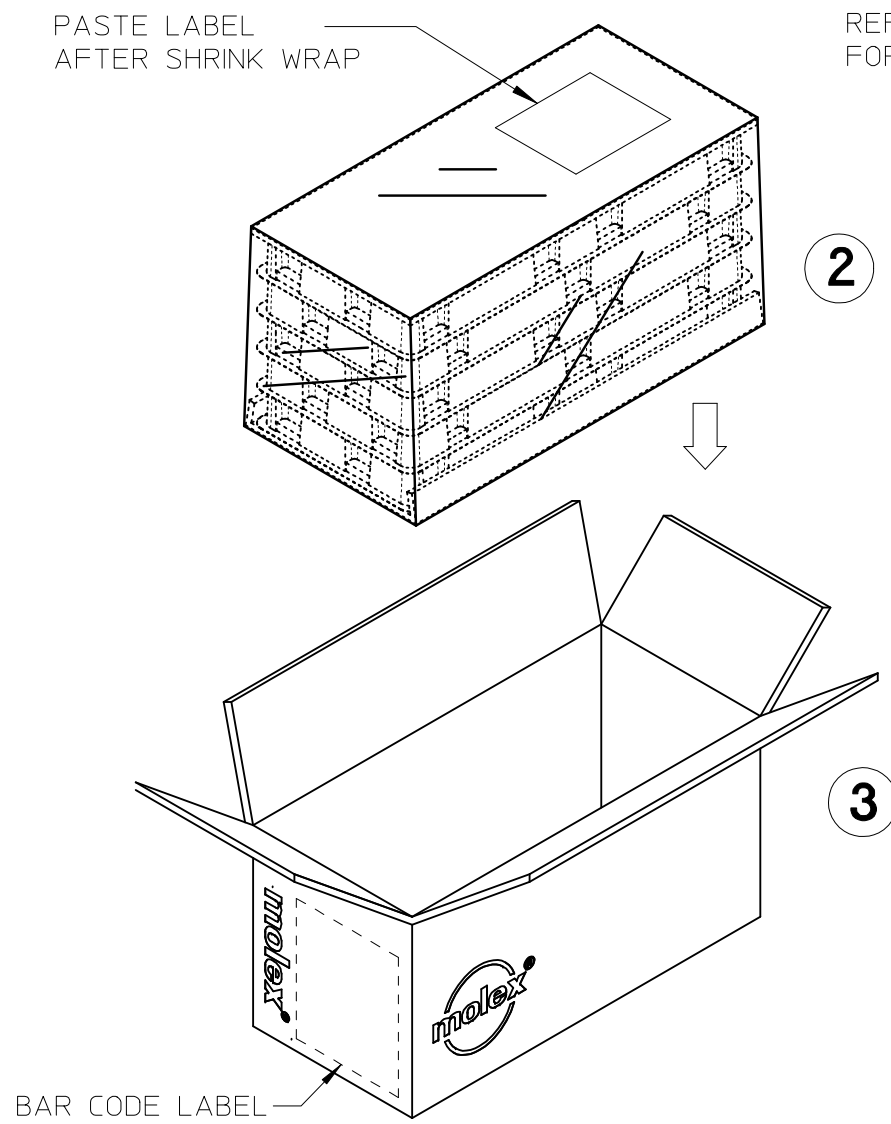


CKT SIZE	QTY/ TRAY	10 TRAYS/ CARTON
6	256	2560
8	208	2080
10	168	1680
12	144	1440
14	128	1280
16	112	1120
18	96	960
20	88	880
22	80	800
24	72	720
26	72	720
28	64	640
30	64	640
32	56	560
34	56	560
36	48	480
38	48	480
40	48	480
42	40	400
44	40	400
46	40	400
48	40	400
50	32	320
52	32	320
54	32	320
56	32	320
58	32	320
60	32	320
62	32	320
64	24	240
66	24	240
68	24	240

SERIES	ORIENTATION OF PART IN TRAY	
90130 / 91814 RIGHT ANGLE		
90130 / 91814 THROUGH HOLE		



- NOTES :
- PACKAGING PROCEDURES FOR NON-NYLON HOUSING.
1. ALTERNATE STACK TRAYS WITH PARTS AS SHOWN.
  2. SHRINKWRAP BUNDLE AND PLACE IT INTO A CARTON.
  3. PASTE PACKAGING LABEL ONTO CARTON.
  4. PARTIAL PACKAGING SHOULD BE AVOIDED.

UPDATE PKG SPECS. EC NO: S2015-0949 DRWN:ATSEE CHKD:CGOH APPR:KHL IM	2015/02/25 2015/02/25 2015/03/09	QUALITY SYMBOLS $F_A=0$ $F_E=0$ $F_P=0$	GENERAL TOLERANCES (UNLESS SPECIFIED)		DIMENSION STYLE MM ONLY		SCALE NTS	DESIGN UNITS METRIC	THIRD ANGLE PROJECTION			
				mm	INCH	DRAWN BY ATSEE	DATE 2009/10/23	TITLE PACKAGING SPECIFICATION FOR C-GRID SERIES 90130 & 91814				
			4 PLACES	$\pm$ ---	$\pm$ ---	CHECKED BY SKANG	DATE 2009/11/03	MOLEX INCORPORATED				
			3 PLACES	$\pm$ ---	$\pm$ ---	APPROVED BY MLONG	DATE 2009/11/10	DOCUMENT NO. PK-91814-005				
			2 PLACES	$\pm$ ---	$\pm$ ---	MATERIAL NO. ---		SHEET NO. 1 OF 1				
			1 PLACE	$\pm$ ---	$\pm$ ---	THIS DRAWING CONTAINS INFORMATION THAT IS PROPRIETARY TO MOLEX INCORPORATED AND SHOULD NOT BE USED WITHOUT WRITTEN PERMISSION						
DRAFT WHERE APPLICABLE MUST REMAIN WITHIN DIMENSIONS			ANGULAR $\pm 3^\circ$									
A1	REV											