

DESIGNED & DIMENSIONED
IN MILLIMETERS[INCHES]

LSHM-1XX-XX-X-DH-A-X-X-TR

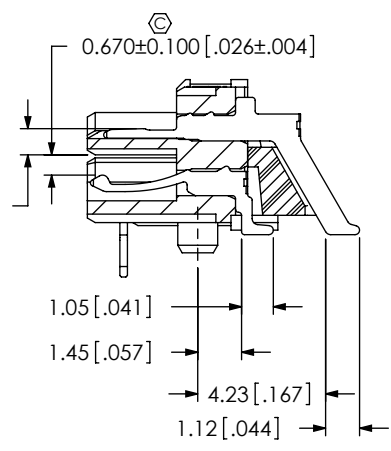
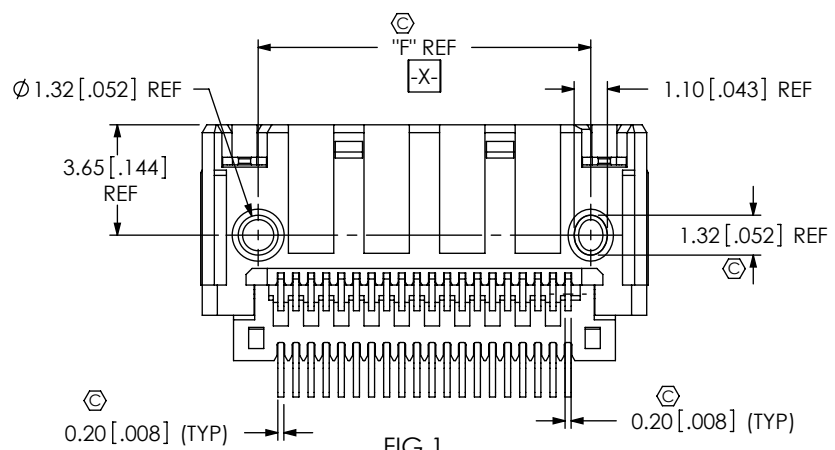
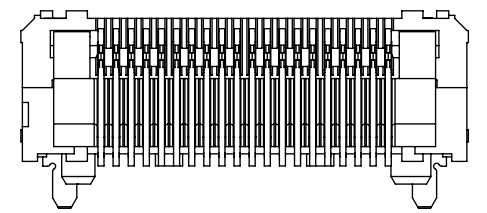
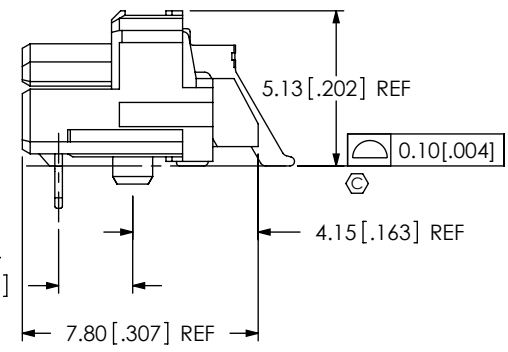
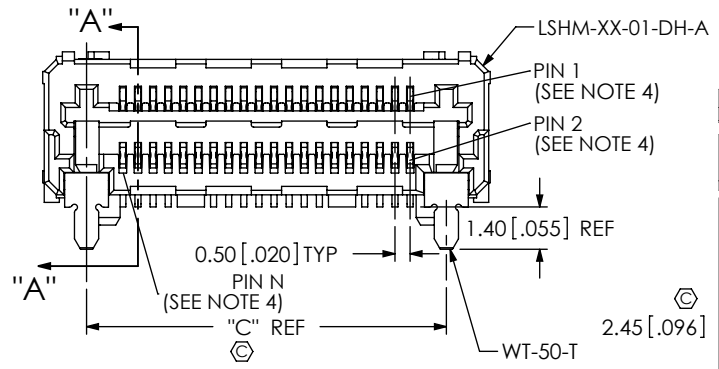
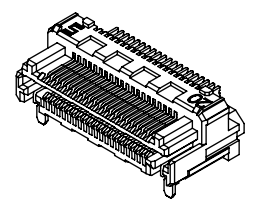
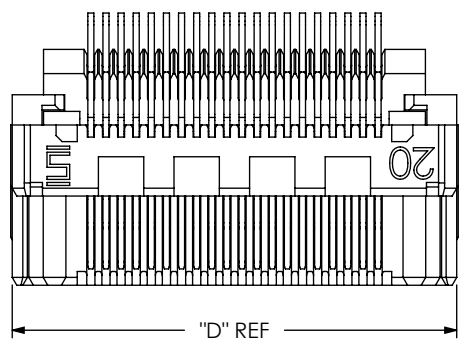
No OF POSITIONS
-05, -10, -20, -30, -40, -50

LEAD STYLE
-01: RIGHT ANGLE ONLY
-L1: LUBRICATED
(SEE TABLE 2)

PLATING SPECIFICATION
-L: 10µ" LIGHT SELECTIVE GOLD ON CONTACT
AREA, MATTE TIN ON TAIL
-F: 3µ" FLASH SELECTIVE GOLD ON CONTACT
AREA, MATTE TIN ON TAIL
-S: 30µ" FLASH SELECTIVE GOLD ON CONTACT
AREA, MATTE TIN ON TAIL

PACKAGING
-TR: TAPE & REEL
(SEE NOTE 6)
OPTION
-K: POLYAMIDE FILM
(USE K-DOT-.177-.281-.005)
SHIELD
-S: WITH SHIELD
(NO WT IS TO BE USED)
-N: WITHOUT SHIELD

TAIL OPTION
-DH: RIGHT ANGLE



SECTION "A"-A"
SCALE 4:1

FIG 1
LSHM-1XX-X1-XX-DH-A-N-X-XX SHOWN

- NOTES:
- ① REPRESENTS A CRITICAL DIMENSION.
 - BURR ALLOWANCE: .038[.0015].
 - MINIMUM PUSHOUT FORCE: TERMINALS: 2.22 N [.5 LBS], CONTACTS: 2.22 N [.5 LBS].
 - WHEN MATING WITH ANOTHER LSHM-DH, PIN 01 WILL MATE WITH CONTACT 02 ON MATING CONNECTOR. WHEN MATING WITH A LSHM-DV, PIN 01 WILL MATE WITH PIN N, WHERE N=TOTAL NUMBER OF POSITIONS
 - MEASURE FROM TOP OF VERTICAL WALL.
 - FOR QUANTITIES UP TO 49 PCS., NO LEADER, TRAILER OR REEL WILL BE SUPPLIED.
 - FOR QUANTITIES OF 50-124 PCS., NO LEADER OR TRAILER WILL BE SUPPLIED.
 - FOR APPLICATIONS REQUIRING TWO OR MORE CONNECTORS PER BOARD, CONTACT IPG@SAMTEC.COM.

F:\DWG\MISC\MKTG\LSHM-1XX-XX-X-DH-A-X-X-TR-MKT.SLDDRW

UNLESS OTHERWISE SPECIFIED, DIMENSIONS ARE IN MILLIMETERS[INCHES]. TOLERANCES ARE: DECIMALS ANGLES X.X: ±0.3 [.01] 2° X.XX: ±0.13 [.005] X.XXX: ±0.051 [.0020]

PROPRIETARY NOTE
THIS DOCUMENT CONTAINS CONFIDENTIAL AND PROPRIETARY INFORMATION AND ALL DESIGN, MANUFACTURING, REPRODUCTION, USE, PATENT RIGHTS AND SALES RIGHTS ARE EXPRESSLY RESERVED BY SAMTEC, INC. THIS DOCUMENT SHALL NOT BE DISCLOSED, IN WHOLE OR PART, TO ANY UNAUTHORIZED PERSON OR ENTITY NOR REPRODUCED, TRANSFERRED OR INCORPORATED IN ANY OTHER PROJECT IN ANY MANNER WITHOUT THE EXPRESS WRITTEN CONSENT OF SAMTEC, INC.

MATERIAL: DO NOT SCALE DRAWING SHEET SCALE: 1:0.2
INSULATOR: BLACK, LCP, UL 94 V0
TERMINAL: PHOS BRONZE
SHIELD: STAINLESS STEEL
WELD TAB: COPPER

DESCRIPTION:
0.50mm TERMINAL/SOCKET COMBO

DWG. NO.
LSHM-1XX-XX-X-DH-A-X-X-TR

BY: AGEN H 10/30/2008 SHEET 1 OF 4

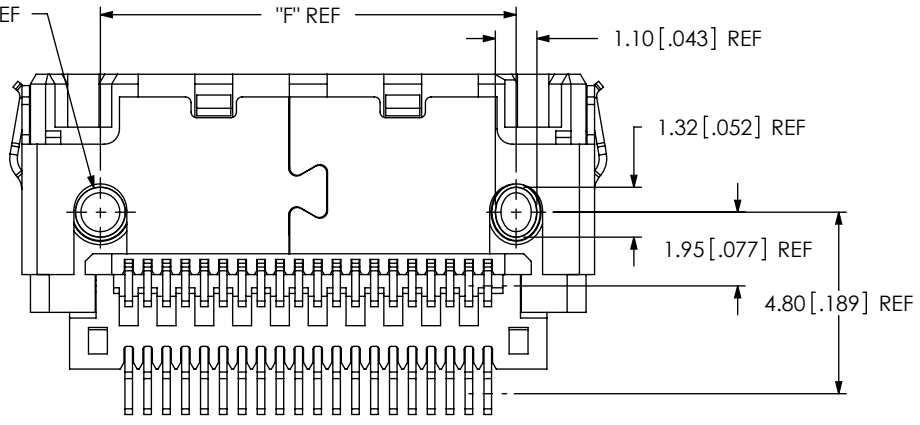
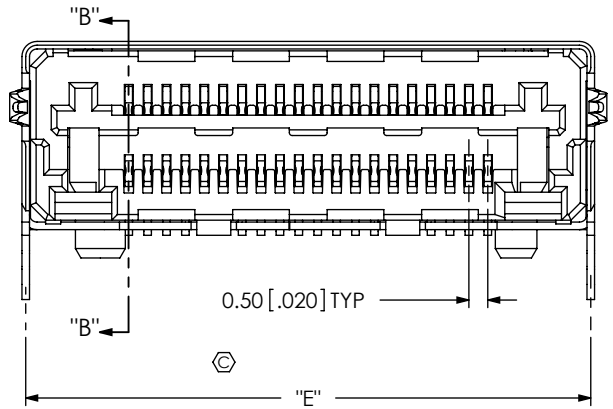
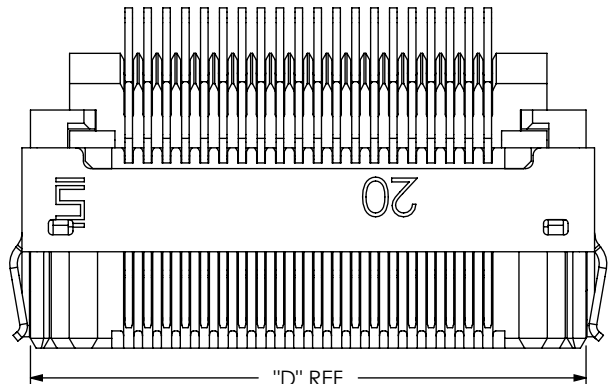
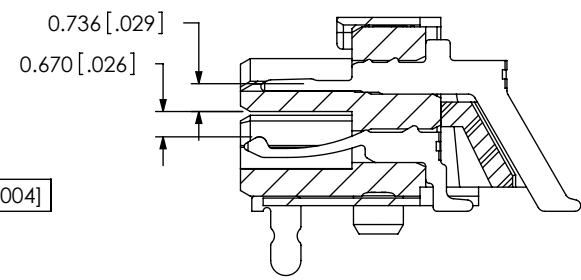
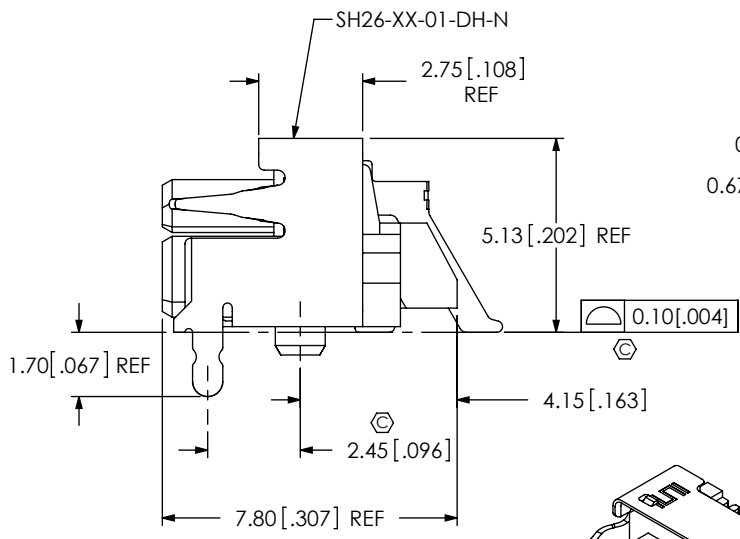


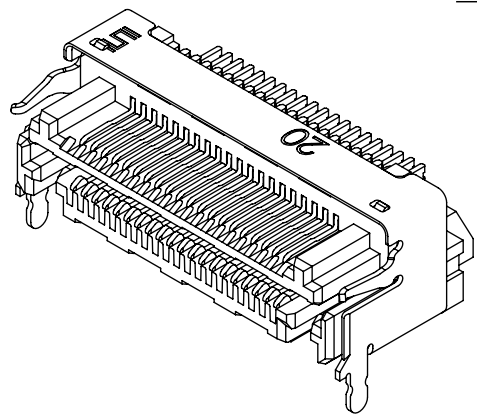
FIG 2
(SHIELD OPTION)
LSHM-1XX-X1-XX-DH-A-S-XX-XX SHOWN

F:\DWG\MISC\MKTG\LSHM-1XX-XX-X-DH-A-X-X-TR-MKT.SLDRW

No OF POS	"C"	"D"	"E"	"F"	"G"
-05	4.40 [0.173]	7.20 [0.283]	7.45 [0.293]	3.50 [0.138]	1.35 [0.053]
-10	6.90 [0.272]	9.70 [0.382]	9.95 [0.392]	6.00 [0.236]	2.60 [0.102]
-20	11.90 [0.469]	14.70 [0.579]	14.95 [0.589]	11.00 [0.433]	5.10 [0.201]
-30	16.90 [0.665]	19.70 [0.776]	19.95 [0.785]	16.00 [0.630]	7.60 [0.299]
-40	21.90 [0.862]	24.70 [0.972]	24.95 [0.982]	21.00 [0.827]	10.10 [0.398]
-50	26.90 [1.059]	29.70 [1.169]	29.95 [1.179]	26.00 [1.024]	12.60 [0.496]



SECTION "B"- "B"



<p>PROPRIETARY NOTE</p> <p>THIS DOCUMENT CONTAINS CONFIDENTIAL AND PROPRIETARY INFORMATION AND ALL DESIGN, MANUFACTURING, REPRODUCTION, USE, PATENT RIGHTS AND SALES RIGHTS ARE EXPRESSLY RESERVED BY SAMTEC, INC. THIS DOCUMENT SHALL NOT BE DISCLOSED, IN WHOLE OR PART, TO ANY UNAUTHORIZED PERSON OR ENTITY NOR REPRODUCED, TRANSFERRED OR INCORPORATED IN ANY OTHER PROJECT IN ANY MANNER WITHOUT THE EXPRESS WRITTEN CONSENT OF SAMTEC, INC.</p>	<p>samtec</p> <p>520 PARK EAST BLVD, NEW ALBANY, IN 47150 PHONE: 812-944-6733 FAX: 812-948-5047 e-Mail info@SAMTEC.com code 55322</p>	
	<p>DESCRIPTION: 0.50mm TERMINAL/SOCKET COMBO</p>	
	<p>DO NOT SCALE DRAWING SHEET SCALE: 1:0.2</p>	<p>DWG. NO. LSHM-1XX-XX-X-DH-A-X-X-TR</p>

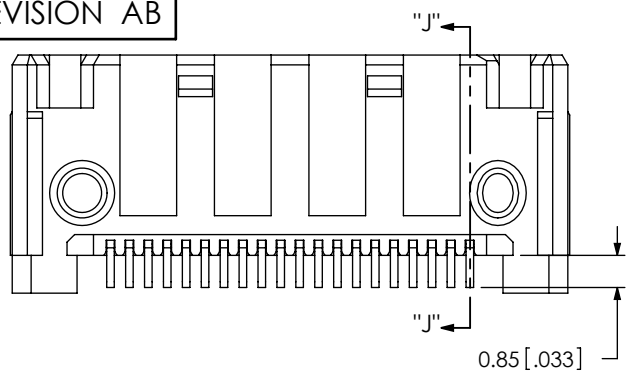
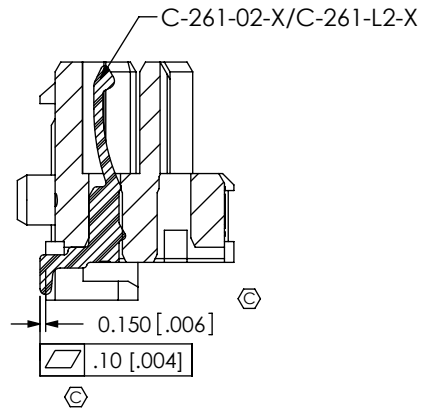


FIG 4
(IN PROCESS 1)



SECTION "J"-"J"

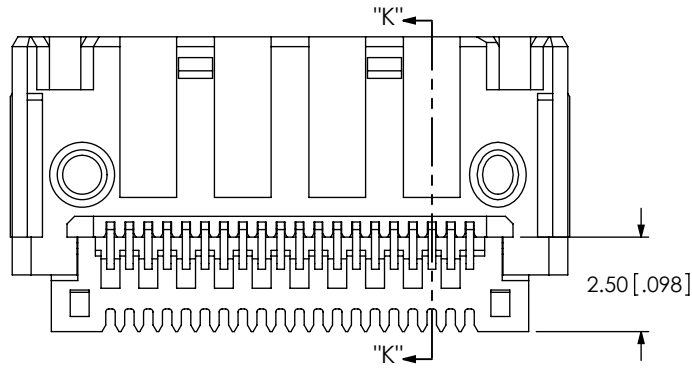
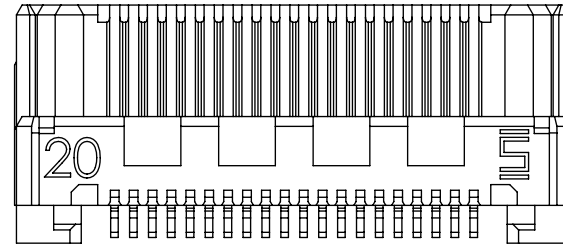
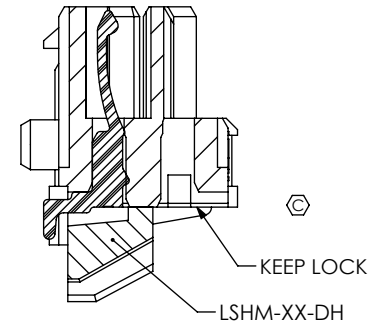


FIG 5
(IN PROCESS 2)



SECTION "K"-"K"

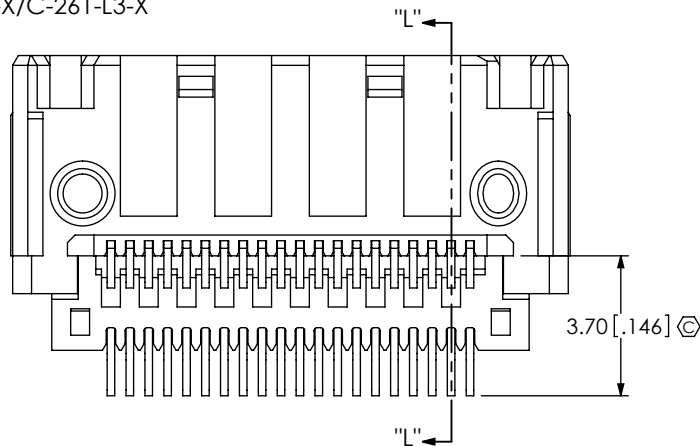
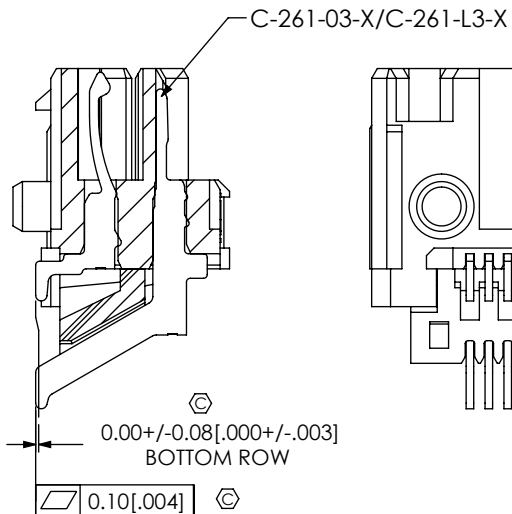


FIG 6
(IN PROCESS 3)

SECTION "L"-"L"

PROPRIETARY NOTE
 THIS DOCUMENT CONTAINS CONFIDENTIAL AND PROPRIETARY INFORMATION AND ALL DESIGN, MANUFACTURING, REPRODUCTION, USE, PATENT RIGHTS AND SALES RIGHTS ARE EXPRESSLY RESERVED BY SAMTEC, INC. THIS DOCUMENT SHALL NOT BE DISCLOSED, IN WHOLE OR PART, TO ANY UNAUTHORIZED PERSON OR ENTITY NOR REPRODUCED, TRANSFERRED OR INCORPORATED IN ANY OTHER PROJECT IN ANY MANNER WITHOUT THE EXPRESS WRITTEN CONSENT OF SAMTEC, INC.



520 PARK EAST BLVD, NEW ALBANY, IN 47150
 PHONE: 812-944-6733 FAX: 812-948-5047
 e-Mail info@SAMTEC.com code 55322

DO NOT SCALE DRAWING
 SHEET SCALE: 5:1

DESCRIPTION:
 0.50mm TERMINAL/SOCKET COMBO

DWG. NO.
LSHM-1XX-XX-X-DH-A-X-X-TR

BY: AGEN H 10/30/2008 SHEET 3 OF 4

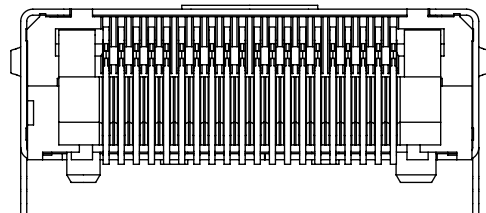
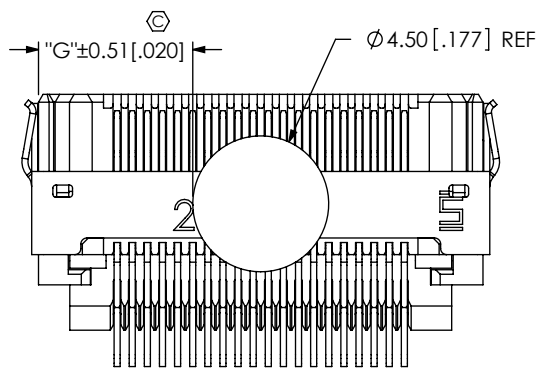



FIG 7
LSHM-1XX-X1-XX-DH-A-S-XX-XX SHOWN

TABLE 2

LEAD STYLE	CONTACT
-01	C-261-02-X
	C-261-03-X
-L1	C-261-L2-X
	C-261-L3-X

F:\DWG\MISC\MKTG\LSHM-1XX-XX-X-DH-A-X-X-TR-MKT.SLDDRW

<p style="text-align: center;">PROPRIETARY NOTE</p> <p><small>* THIS DOCUMENT CONTAINS CONFIDENTIAL AND PROPRIETARY INFORMATION AND ALL DESIGN, MANUFACTURING, REPRODUCTION, USE, PATENT RIGHTS AND SALES RIGHTS ARE EXPRESSLY RESERVED BY SAMTEC, INC. THIS DOCUMENT SHALL NOT BE DISCLOSED, IN WHOLE OR PART, TO ANY UNAUTHORIZED PERSON OR ENTITY NOR REPRODUCED, TRANSFERRED OR INCORPORATED IN ANY OTHER PROJECT IN ANY MANNER WITHOUT THE EXPRESS WRITTEN CONSENT OF SAMTEC, INC.</small></p>	 520 PARK EAST BLVD, NEW ALBANY, IN 47150 PHONE: 812-944-6733 FAX: 812-948-5047 e-Mail info@SAMTEC.com code 53322		
	DESCRIPTION: 0.50mm TERMINAL/SOCKET COMBO		
	DWG. NO. LSHM-1XX-XX-X-DH-A-X-X-TR		
DO NOT SCALE DRAWING	BY: AGEN H	10/30/2008	SHEET 4 OF 4