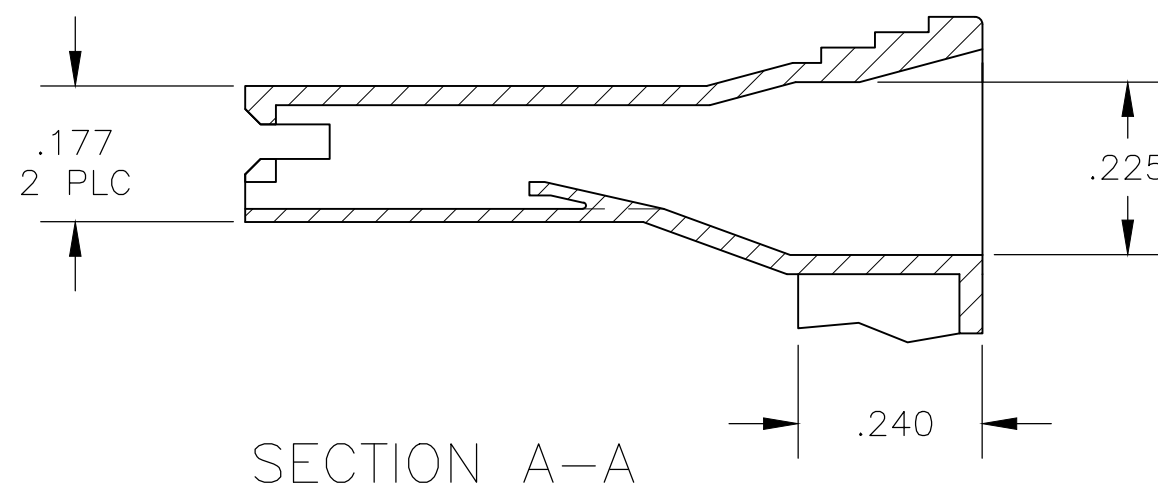
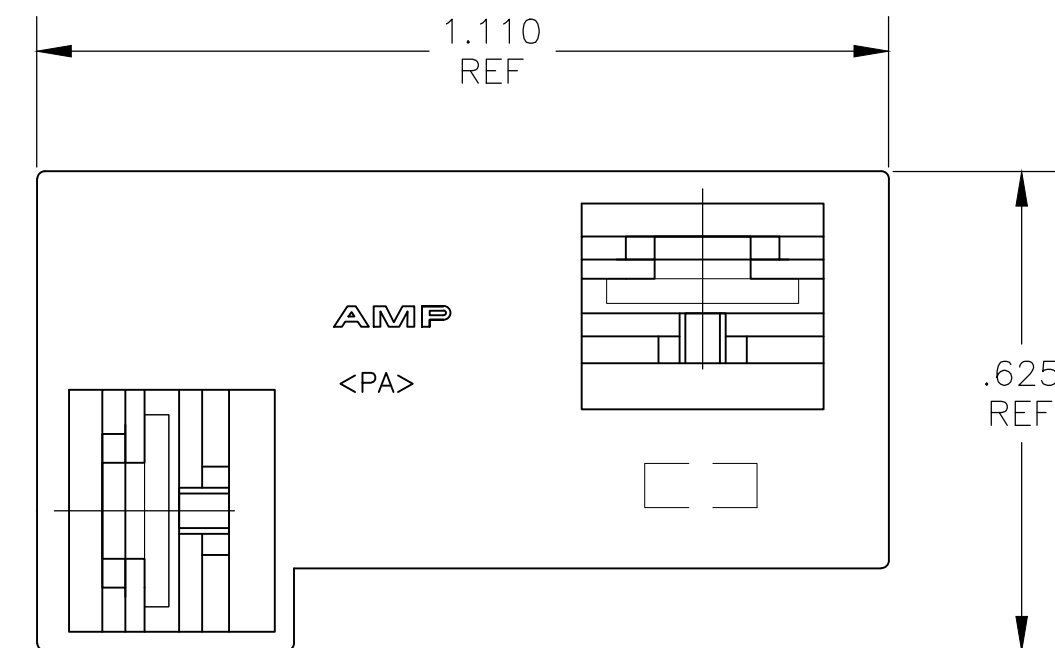
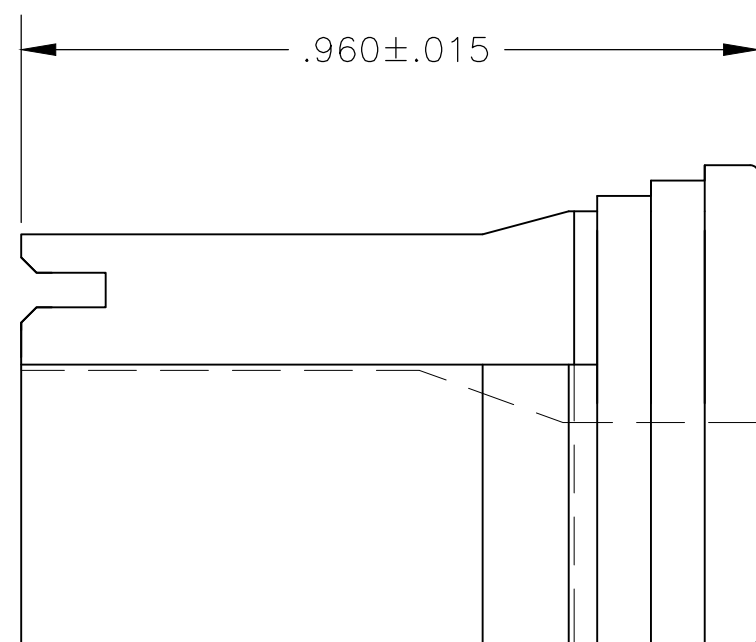
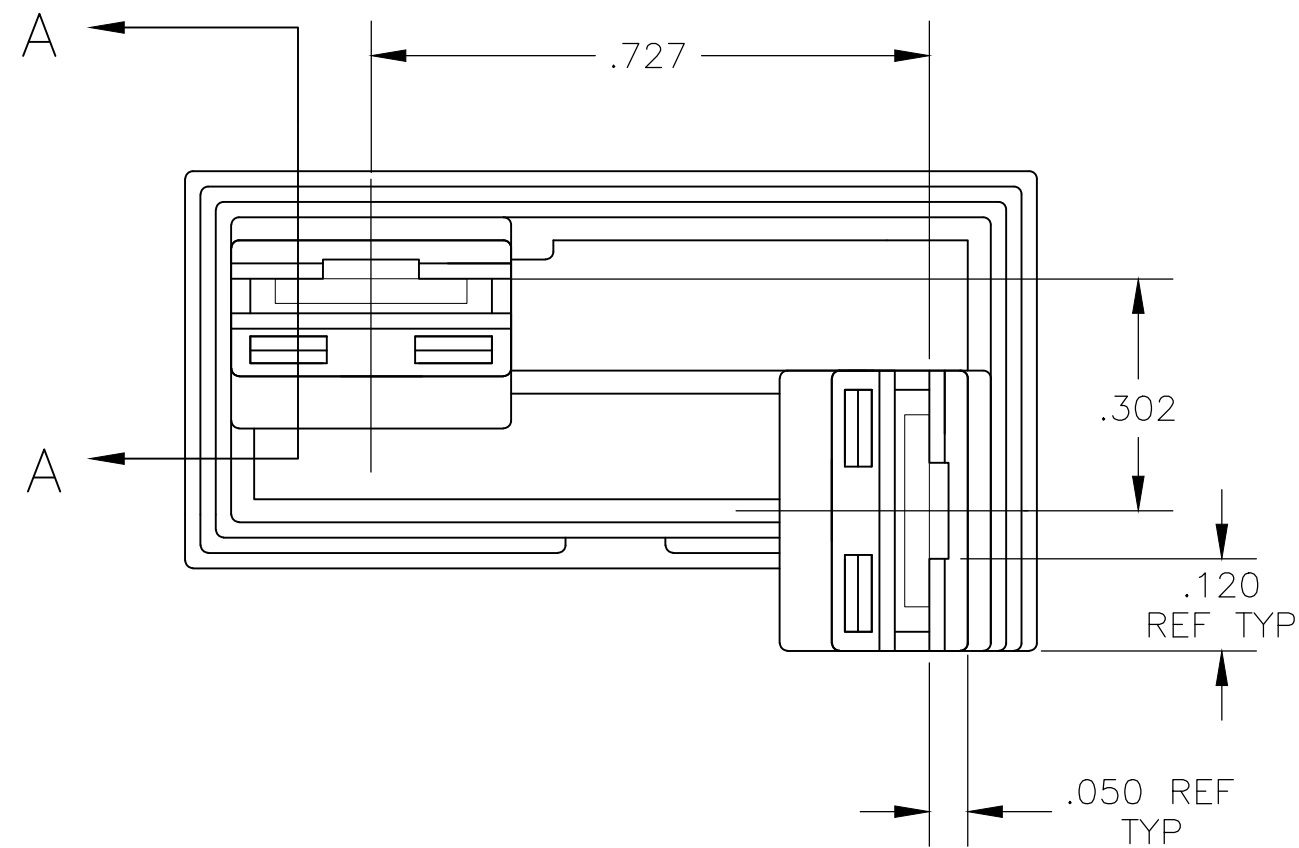
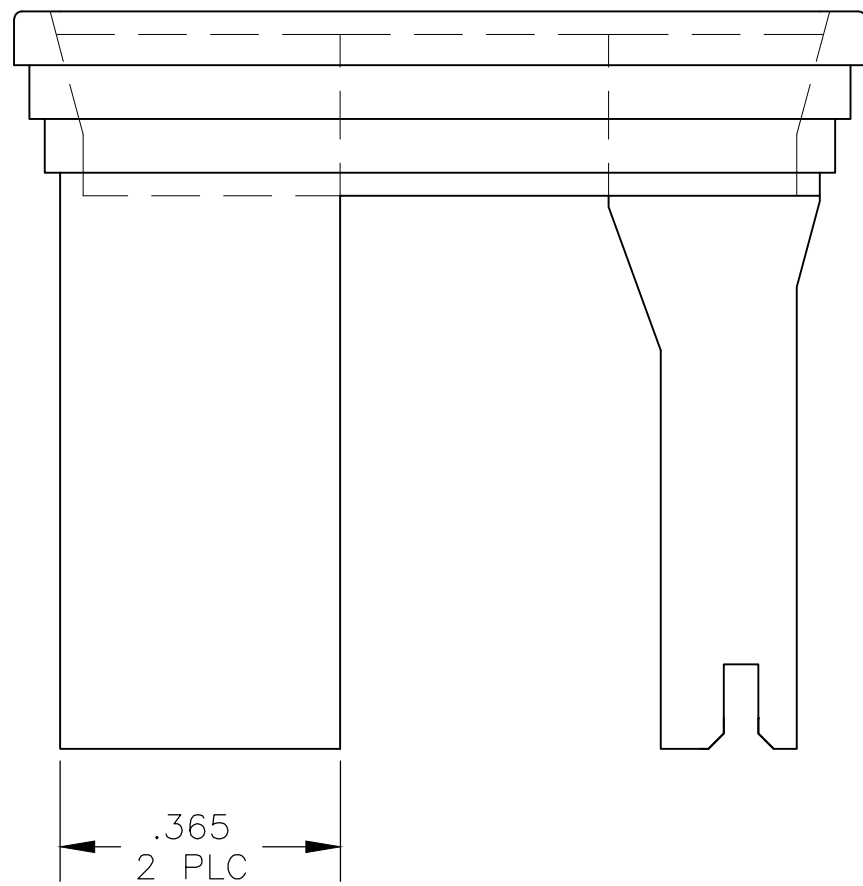


THIS DRAWING IS UNPUBLISHED. RELEASED FOR PUBLICATION
 © COPYRIGHT - By - ALL RIGHTS RESERVED.

REVISIONS					
P	LTR	DESCRIPTION	DATE	DWN	APVD
C4		REVISED PER ECR-18-005844	17APR2018	RS	DS

- 1 ACCEPTS .250 SERIES FASTON RECEPTACLE 63435-1 OR 63306-1.
- 2 FOR PROPER MATING, THE MATING TAB MUST BE A MIN. OF .375 LONG.
- 3 MATING TAB CENTERLINES MUST BE VERIFIED BY CUSTOMER.
- △ 4 MATERIAL: POLYIMIDE UL94, V2. ACCORDING TO IEC 60355-1, GLOW WIRE.
- △ 5 PRELIMINARY - NOT FOR PRODUCTION.
- △ 6 PA6, UL94 V0 AND HIGH TEMPERATURE VERSION 150C



NATURAL	66 NYLON V0 NATURAL	1-521785-1
BLACK	6 NYLON, V0	521785-4
NATURAL	△ 6	521785-3
NATURAL	△ 4	△ 5 521785-2
NATURAL	66 NYLON, V0	521785-1
COLOR	MATERIAL	PART NO

THIS DRAWING IS A CONTROLLED DOCUMENT.		DWN jr ruth 09FEB05	TE Connectivity Ltd.	
DIMENSIONS: INCHES		CHK P DESANTIS 09FEB05	NAME	
TOLERANCES UNLESS OTHERWISE SPECIFIED: 0 PLC ± - 1 PLC ± - 2 PLC ± - 3 PLC ± .010 4 PLC ± - ANGLES ± 5°		APVD P DESANTIS 09FEB05	HOUSING, RECEPTACLE, FASTON, 2 POSITION, .250 SERIES	
MATERIAL SEE TABLE		FINISH COLOR - SEE TABLE	WEIGHT 0.000000	RESTRICTED TO
		SCALE 4:1	SHEET 1 of 1	REV C4