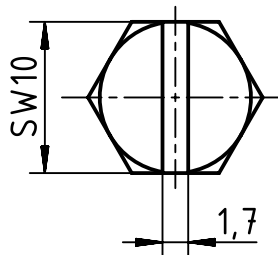
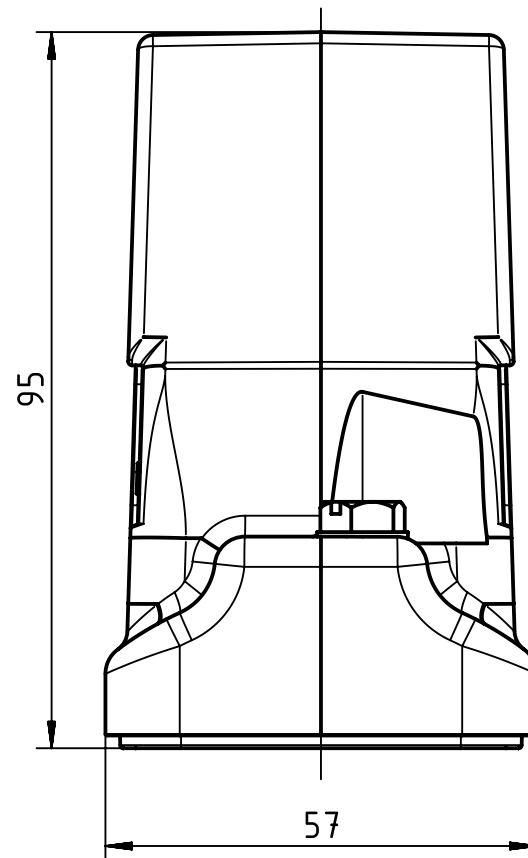
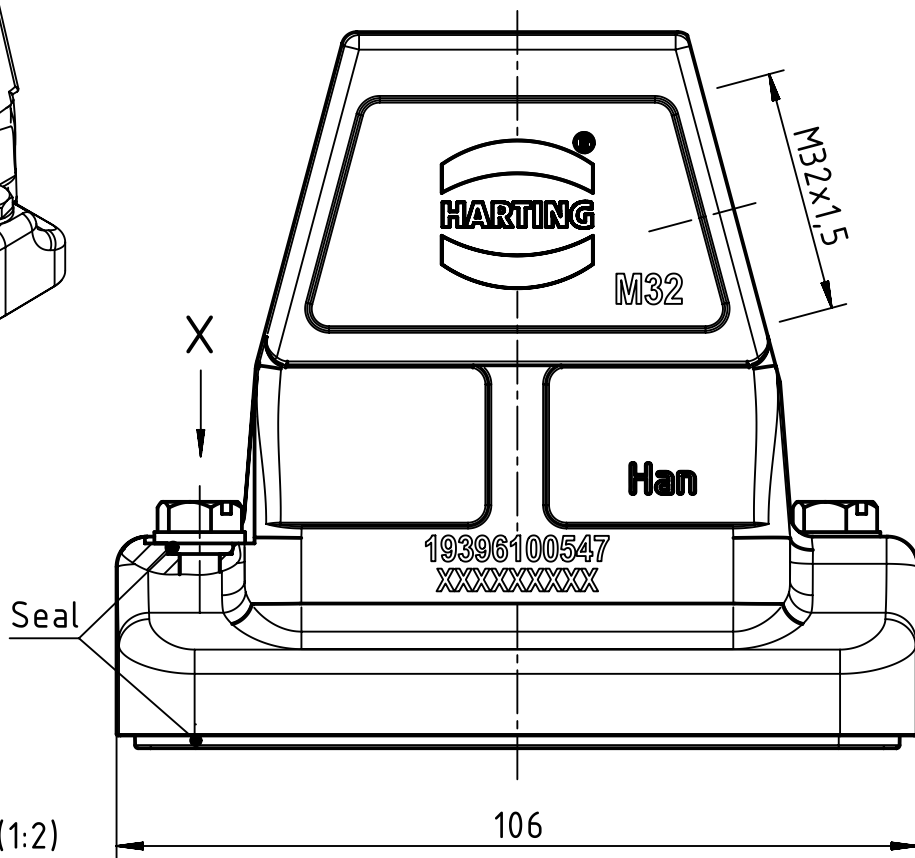
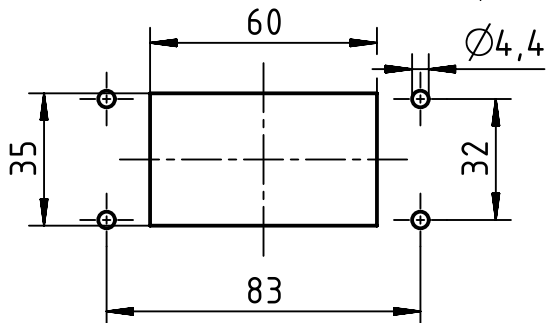


X (2:1)



Panel cut out (1:2)



	All Dimensions in mm Original Size DIN A4		Scale 1:1		Free size tol.		Ref.			
	All rights reserved Department EL PD - CN		Created by LONGL		Inspected by WENE		Standardisation SCHMIDTM			
HARTING (Zhuhai) Manufacturing Co., Ltd. 519085 Zhuhai, China		Title Han 10HP Direct/B-HSE-M32					Date 2017-03-20		State Final Release	
		Type TB					Number 19 39 610 0547		Doc-Key / ECM-Nr. 100663213/UGD/004/C 500000116960	
								Rev. <b>C</b>		
								Page 1/1		