

6

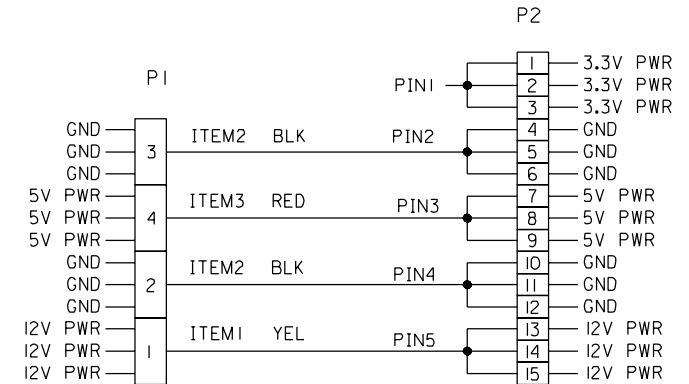
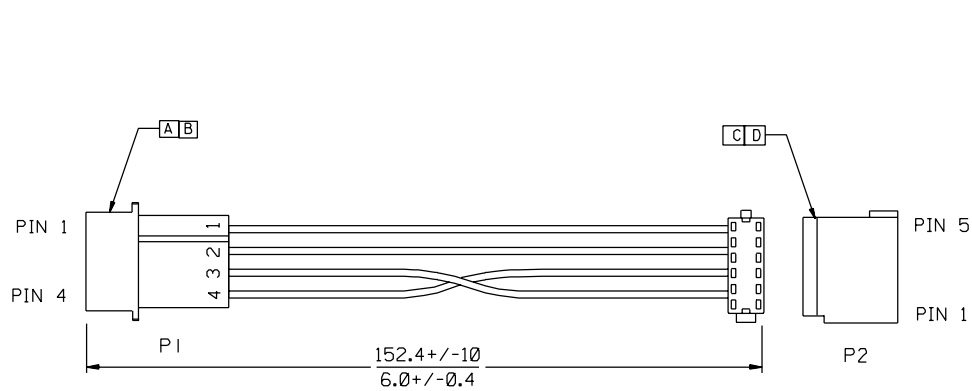
5

4

3

2

1



## NOTE: I. ELECTRIC PERFORMANCE:

DIELECTRONIC STRENGTH: 500 V DC/0.01Sec.

INSULATION RESISTANCE: 100M OHMS Min.

CONDUCTIVE RESISTANCE: 2 OHMS Max.

| 887614510   | 679260012   | 30u" Gold-plated |
|-------------|-------------|------------------|
| 887614500   | 679260011   | Gold Flash       |
| MATERIAL NO | S-ATA CONN. | DESCRIPTION      |

| D    | COVER 679260040          | 1   |       |
|------|--------------------------|-----|-------|
| C    | S-ATA CONN.: SEE TABLE   | 1   |       |
| B    | 4P CONTACT 887899491     | 4   |       |
| A    | 4P PWR HOUSING 887899490 | 1   |       |
| 3    | UL1007 #18 RED 887711351 | 1   | 144   |
| 2    | UL1007 #18 BLK 887711350 | 2   | 288   |
| 1    | UL1007 #18 YEL 887711353 | 1   | 144   |
| ITEM | DESCRIPTION              | QTY | L(mm) |

|   |                    |                                     |   |      |   |  |                             |  |                     |     |     |            |
|---|--------------------|-------------------------------------|---|------|---|--|-----------------------------|--|---------------------|-----|-----|------------|
| EC NO.<br>DRWN: Louis 03/09/08<br>CHK:<br>APPR: | DESCRIPTION<br>REV | QUALITY SYMBOLS                     | GENERAL TOLERANCES:<br>(UNLESS SPECIFIED) |      | SCALE<br>N.T.S  | DESIGN UNITS<br><input checked="" type="checkbox"/> mm <input type="checkbox"/> INCH | THIRD ANGLE<br>PROJECTION   | DIMENSIONS:<br><input checked="" type="checkbox"/> mm <input type="checkbox"/> INCH <input type="checkbox"/> mm ONLY |                     | SHT | REV |            |
|   |                    | MAJOR<br>▼ = 0<br>CRITICAL<br>▽ = 0 | mm  | INCH | DRAWN BY & DATE<br>Louis Chen 03/09/08  | TITLE:<br>S-ATA IDT POWER ADAPTER CABLE<br>(5V+12V), 6 INCH                          |                             |  |                     |     |     |            |
|   |                    |                                     | 4 PLACES ±0.                              | ±.   | CHECKED BY & DATE<br>David Wang 03/09/08  | MOLEX INCORPORATED   |                             |  |                     |     |     |            |
|   |                    |                                     | 3 PLACES ±0.                              | ±.   | APPROVED BY & DATE<br>Ricky Leung 03/09/08  | CAD FILENAME<br>J6145-XX .DGN  | MATERIAL NO.<br>887-6145-XX | DRAWING NO.<br>SD-88755-006  | SHEET NO.<br>1 OF 1 |     |     |            |
| A   |                    |                                     | 2 PLACES ±0.                              | ±.   | THIS DRAWING CONTAINS INFORMATION THAT IS PROPRIETARY TO MOLEX<br>INCORPORATED AND SHOULD NOT BE USED WITHOUT WRITTEN PERMISSION. |  |                             |  |                     |     |     | SIZE<br>A4 |
|   |                    |                                     | 1 PLACE ±0.                               | ±.   |   |  |                             |  |                     |     |     |            |
|   |                    |                                     | ANGULAR: ± °                              |      |   |  |                             |  |                     |     |     |            |