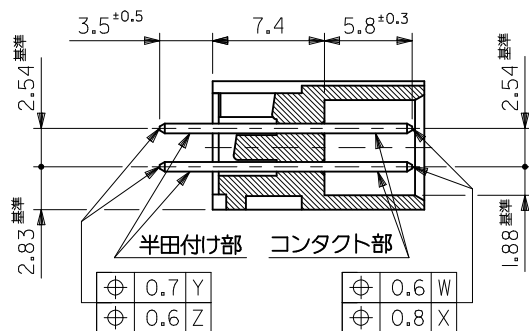


基板取付穴推奨寸法



SECT. E-E
(SCALE 3-1)

注記

- 材料 ウエハー : ガラス繊維 15% 入り PBTP (UL94V-0), 黒色
ピン : 黄銅, サイズ $\square 0.635$
- 嵌合相手 : 5320 シリーズ
- 使用符号の説明

5332 - N *
 ベースナンバー _____
 極数 _____
 ピンのメッキコード _____

コード:*	△マークの色	コンタクト部	半田付け部	下地メッキ
GS3	青	金 0.25 μ m MIN.	半田 3 μ m MIN.	ニッケル 1 μ m MIN.
LEAD-FREE GS17F	黄	金 0.1 μ m MIN.	錫 1 μ m MIN.	
LEAD-FREE GS37F	青	金 0.25 μ m MIN.		
LEAD-FREE T2	黒		錫 1 μ m MIN.	ニッケル 0.5 μ m MIN.

60	73.66	81.26	83.16	63.50
50	60.96	68.56	70.46	50.80
40	48.26	55.86	57.76	38.10
34	40.64	48.24	50.14	30.48
30	35.56	43.16	45.06	25.40
26	30.48	38.08	39.98	—
20	22.86	30.46	32.36	—
16	17.78	25.38	27.28	—
14	15.24	22.84	24.74	—
10	10.16	17.76	19.66	—
極数	A 寸法	B 寸法	C 寸法	D 寸法

REVISED EC NO: J2012-0302 DRWN: HONEGAWA 2011/08/31 CHKD: TANIITSU 2011/08/31 APPR: MYAGI 2011/09/07	DESCRIPTION	GENERAL TOLERANCES (UNLESS SPECIFIED)		DIMENSION STYLE	SCALE	DESIGN UNITS	THIRD ANGLE PROJECTION
				MM ONLY	2:1	METRIC	
		10 UNDER	±0.2	DRAWN BY	DATE	TITLE	
		10 OVER 30 UNDER	±0.25	H.HIRAMOTO	1990/06/19	QIK FLECS WAFER ASSY ST JAPANESE ONLY	
		30 OVER	±0.3	CHECKED BY	DATE		
		ANGULAR ±3 °		APPROVED BY	DATE	MOLEX MOLEX INCORPORATED	
		DRAFT WHERE APPLICABLE MUST REMAIN WITHIN DIMENSIONS		MATERIAL NO.		DOCUMENT NO.	SHEET NO.
				SEE SHEET 2 OF 2		SD-5332-001	1 OF 2
		THIS DRAWING CONTAINS INFORMATION THAT IS PROPRIETARY TO MOLEX INCORPORATED AND SHOULD NOT BE USED WITHOUT WRITTEN PERMISSION					

10 9 8 7 6 5 4 3 2 1

F

F

E

E

D

D

C

C

B

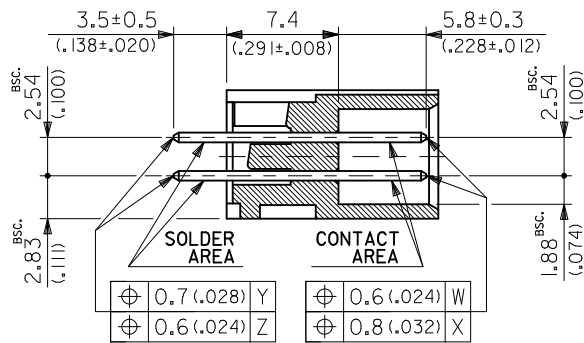
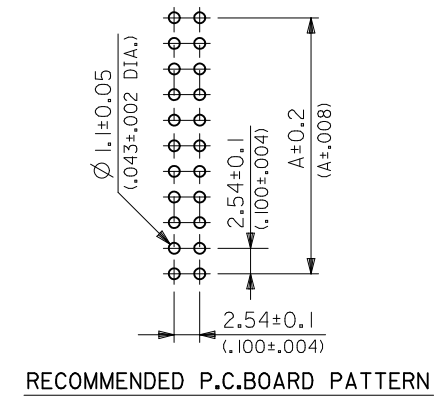
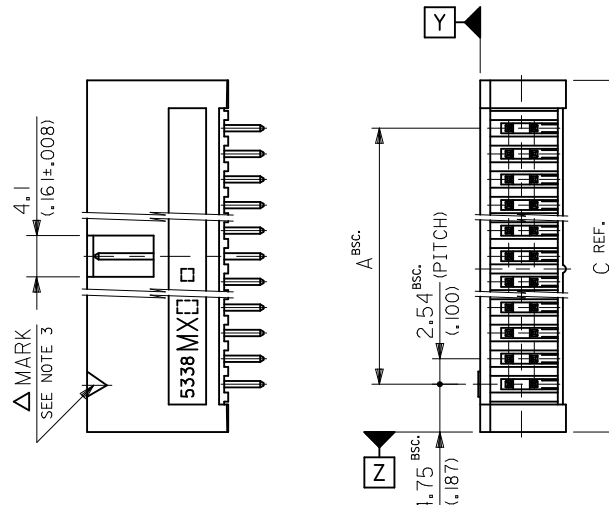
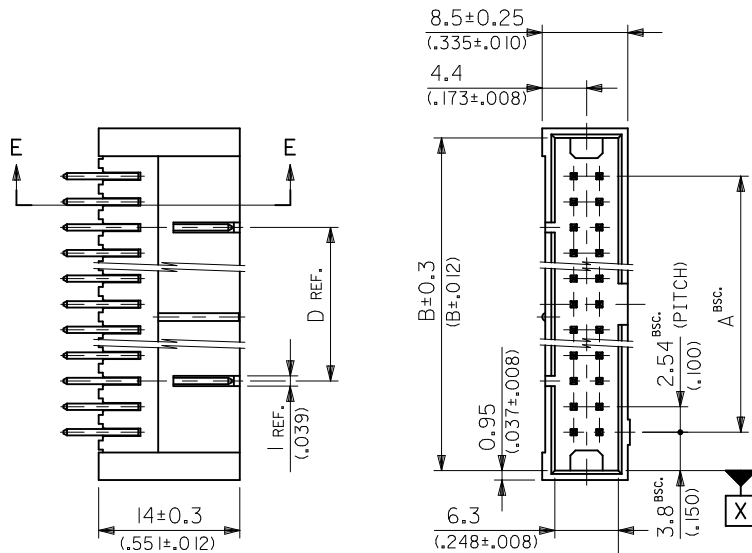
B

A

A

39-53-6266	5332-26GS37F	39-28-5261	5332-26T2	26
↔	↔	▼ -5201	-20T2	20
↔	↔	39-28-5141	5332-14T2	14
EDP NO.	ENG. NO.	EDP NO.	ENG. NO.	極数
5332-NGS37F	-LEAD FREE-	5332-NT2	-LEAD FREE-	
39-53-6344	5332-34GS17F	↔		34
-6264	-26GS17F	39-26-7267	5332-26GS3	26
-6204	-20GS17F	↔	↔	20
▼ -6144	▼ -14GS17F	↔	↔	14
39-53-6104	5332-10GS17F	↔	↔	10
EDP NO.	ENG. NO.	EDP NO.	ENG. NO.	極数
5332-NGS17F	-LEAD FREE-		5332-NGS3	

REVISED EC NO: J2012-0302 DRW: H. TONEGAWA 2011/08/31 CHK: D. INOITSU 2011/08/31 APPR: MYAGI 2011/09/07	GENERAL TOLERANCES (UNLESS SPECIFIED)		DIMENSION STYLE MM ONLY		SCALE 2:1	DESIGN UNITS METRIC	THIRD ANGLE PROJECTION	
	10 UNDER	±0.2	DRAWN BY H. HIRAMOTO	DATE 1990/06/19	TITLE QIK FLECS WAFER ASSY ST. JAPANESE ONLY			
	10 OVER 30 UNDER	±0.25	CHECKED BY M. SASAO					
	30 OVER	±0.3	APPROVED BY H. IKESUGI		MOLEX INCORPORATED			
ANGULAR ±3 °		MATERIAL NO. SEE CHART		DOCUMENT NO. SD-5332-001		SHEET NO. 2 OF 2		
DRAFT WHERE APPLICABLE MUST REMAIN WITHIN DIMENSIONS		THIS DRAWING CONTAINS INFORMATION THAT IS PROPRIETARY TO MOLEX INCORPORATED AND SHOULD NOT BE USED WITHOUT WRITTEN PERMISSION						



SECT. E-E
(SCALE 3-1)

NOTES

1. MATERIAL WAFER : G.F. 15% PBT (UL94V-0), COLOR---BLACK
PINS : BRASS, SIZE--- □0.635(.025 SQ.)
2. MATES WITH MOLEX CONNECTOR SERIES OF 5320.
3. LEGEND

5332 - N *
BASE NUMBER _____
CIRCUIT SIZE _____
PLATING CODE OF PIN _____

	CODE:*	△ MARK COLOR	CONTACT AREA	SOLDER AREA	UNDER PLATE
	GS3	BLUE	GOLD 0.25 μm(.00001) MIN.	TIN-LEAD 3μm(.00012)MIN.	NICKEL 1μm(.00004)MIN.
LEAD-FREE	GS17F	YELLOW	GOLD 0.1 μm(.000004) MIN.	TIN 1μm(.00004) MIN.	
LEAD-FREE	GS37F	BLUE	GOLD 0.25 μm(.00001) MIN.		
LEAD-FREE	T2	BLACK		TIN 1 μm(.00004) MIN.	NICKEL 0.5 μm(.00002) MIN.

60	73.66 (2.900)	81.26 (3.200)	83.16 (3.274)	63.50 (2.500)
50	60.96 (2.400)	68.56 (2.700)	70.46 (2.774)	50.80 (2.000)
40	48.26 (1.900)	55.86 (2.200)	57.76 (2.274)	38.10 (1.500)
36	43.18 (1.700)	50.78 (2.000)	52.68 (2.074)	33.02 (1.300)
34	40.64 (1.600)	48.24 (1.900)	50.14 (1.974)	30.48 (1.200)
30	35.56 (1.400)	43.16 (1.700)	45.06 (1.774)	25.40 (1.000)
26	30.48 (1.200)	38.08 (1.500)	39.98 (1.574)	— # —
20	22.86 (.900)	30.46 (1.200)	32.36 (1.274)	— # —
16	17.78 (.700)	25.38 (1.000)	27.28 (1.074)	— # —
14	15.24 (.600)	22.84 (.900)	24.74 (.974)	— # —
10	10.16 (.400)	17.76 (.700)	19.66 (.774)	— # —
NO. OF CKTS.	DIM. A	DIM. B	DIM. C	DIM. D

REVISED EC NO: J2012-0302 DRWN: HONEGAWA 2011/08/31 CHKD: TANI TSU 2011/08/31 APPR: MYAGI 2011/09/07	GENERAL TOLERANCES (UNLESS SPECIFIED)	DIMENSION STYLE MM/IN	SCALE 2:1	DESIGN UNITS METRIC	THIRD ANGLE PROJECTION
	10 UNDER ±0.2	DRAWN BY H. HIRAMOTO	DATE 1989/07/18	TITLE QIK FLECS WAFER ASSY ST ENGLISH ONLY	
	10 OVER 30 UNDER ±0.25	CHECKED BY M. SASAO	DATE	MOLEX INCORPORATED	
	30 OVER ±0.3	APPROVED BY H. IKESUGI	DATE	DOCUMENT NO. SD-5332-003	SHEET NO. 1 OF 2
ANGULAR ±3 °	DRAFT WHERE APPLICABLE MUST REMAIN WITHIN DIMENSIONS		MATERIAL NO. SEE SHEET 2 OF 2		
	THIS DRAWING CONTAINS INFORMATION THAT IS PROPRIETARY TO MOLEX INCORPORATED AND SHOULD NOT BE USED WITHOUT WRITTEN PERMISSION				

39-53-6266	5332-26GS37F	39-28-5261	5332-26T2	26
—+—	—+—	↓ 5201	↓ -20T2	20
—+—	—+—	39-28-5141	5332-14T2	14
EPD NO.	ENG. NO.	EPD NO.	ENG. NO.	CKT. SIZE.
5332-NGS37F	-LEAD FREE-	5332-NT2	-LEAD FREE-	
39-53-6364	5332-36GS17F	—+—	—+—	36
↑ -6344	↑ -34GS17F	—+—	—+—	34
↑ -6264	↑ -26GS17F	39-26-7267	5332-26GS3	26
↑ -6204	↑ -20GS17F	—+—	—+—	20
↓ -6144	↓ -14GS17F	—+—	—+—	14
39-53-6104	5332-10GS17F	—+—	—+—	10
EPD NO.	ENG. NO.	EPD NO.	ENG. NO.	CKT. SIZE.
5332-NGS17F	-LEAD FREE-	5332-NGS3		

REVISED EC NO: J2012-0302 DRWN: H. TONEGAWA 2011/08/31 CHKD: T. IITSU 2011/08/31 APPR: MYAGI 2011/09/07	GENERAL TOLERANCES (UNLESS SPECIFIED)		DIMENSION STYLE MM/IN		SCALE 2:1	DESIGN UNITS METRIC	THIRD ANGLE PROJECTION
	10 UNDER	± 0.2	DRAWN BY H. HIRAMOTO	DATE 1989/07/18	TITLE QIK FLECS WAFER ASSY ST ENGLISH ONLY		
	10 OVER 30 UNDER	± 0.25	CHECKED BY M. SASAO	DATE			
	30 OVER	± 0.3	APPROVED BY H. IKESUGI	DATE	MOLEX INCORPORATED		
	ANGULAR ± 3 °		MATERIAL NO.				
DRAFT WHERE APPLICABLE MUST REMAIN WITHIN DIMENSIONS		SIZE A3	THIS DRAWING CONTAINS INFORMATION THAT IS PROPRIETARY TO MOLEX INCORPORATED AND SHOULD NOT BE USED WITHOUT WRITTEN PERMISSION				