

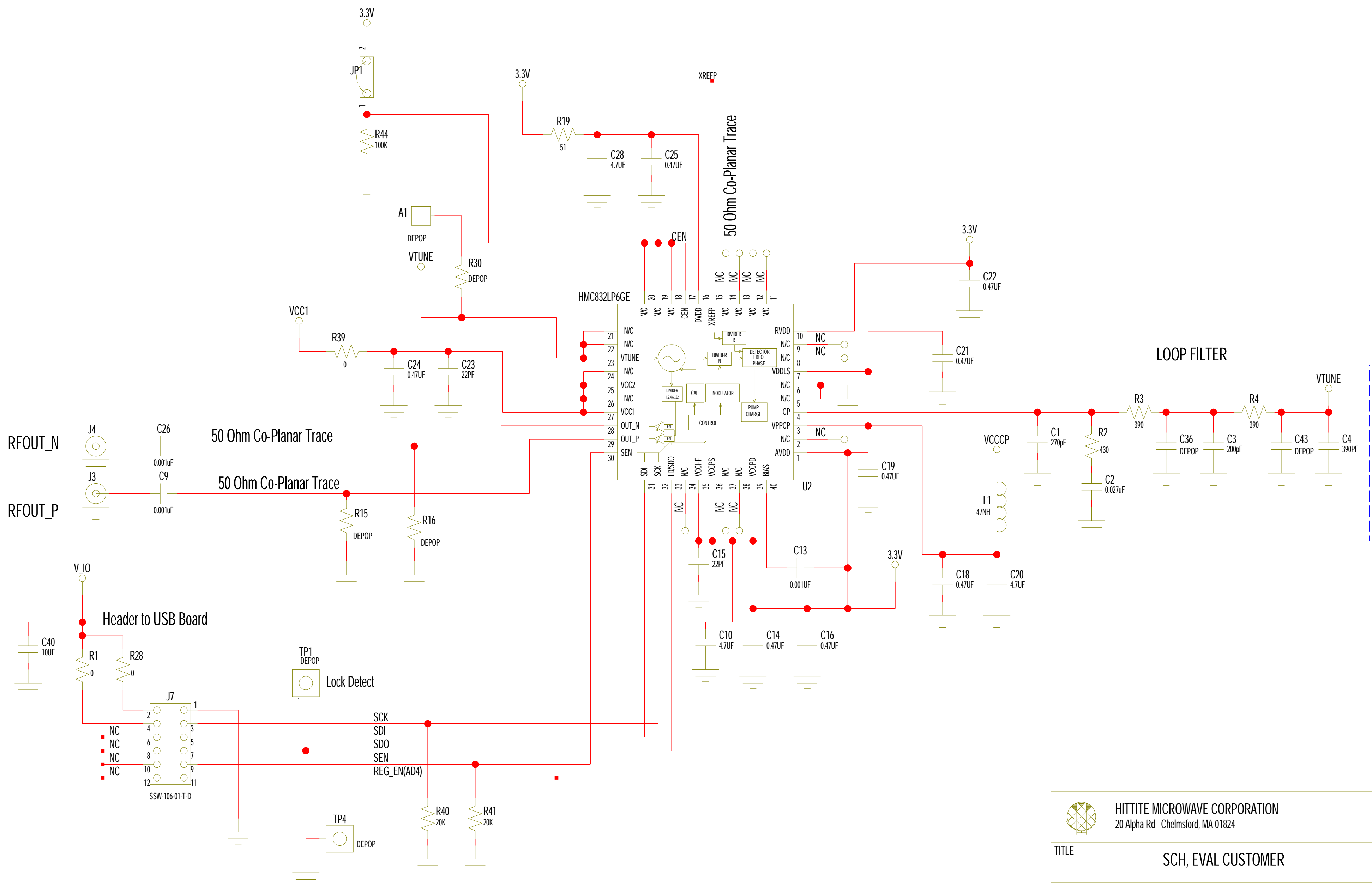
# Analog Devices Welcomes Hittite Microwave Corporation

NO CONTENT ON THE ATTACHED DOCUMENT HAS CHANGED




**THIS PAGE INTENTIONALLY LEFT BLANK**

REVISIONS					
REV	ECN#	ZONE	DESCRIPTION	NAME	DATE
B	CP120985	----	CHANGE AS PER CP120985	D. ACEVAL	07/10/2012
C	CP121326	----	CHANGE AS PER CP121326	D. ACEVAL	10/12/2012

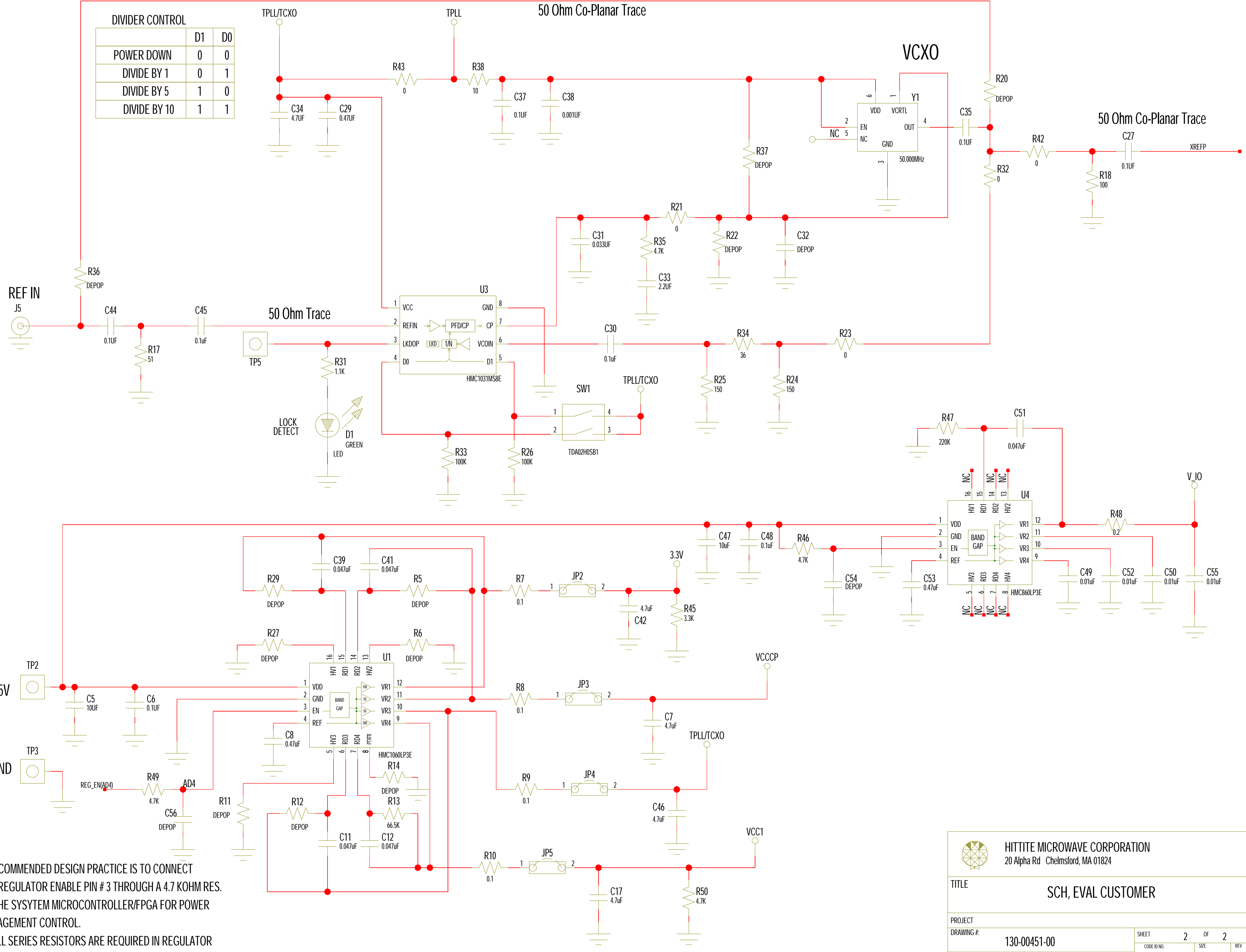


NOTICE OF PROPRIETARY PROPERTY: THIS DOCUMENT AND THE INFORMATION CONTAINED HEREIN ARE THE PROPRIETARY PROPERTY OF HITTITE MICROWAVE CORPORATION. IT MAY NOT BE COPIED OR USED IN ANY MANNER NOR MAY ANY OF THE INFORMATION OR UPON IT BE USED FOR ANY PURPOSE WITHOUT THE EXPRESSED WRITTEN CONSENT OF AN AUTHORIZED AGENT OF HITTITE MICROWAVE CORPORATION.

 <b>HITTITE MICROWAVE CORPORATION</b> 20 Alpha Rd Chelmsford, MA 01824		TITLE	
		SCH, EVAL CUSTOMER	
PROJECT		SHEET 1 OF 2	
DRAWING #:		CODE ID NO.	
130-00451-00		1CN88	
DRAWN BY		DATE	
D.YOUNG		11/18/10	
		SIZE	
		C	
		REV	
		C	
12-10-2012_14:08			

DIVIDER CONTROL

	D1	D0
POWER DOWN	0	0
DIVIDE BY 1	0	1
DIVIDE BY 5	1	0
DIVIDE BY 10	1	1



A RECOMMENDED DESIGN PRACTICE IS TO CONNECT THE REGULATOR ENABLE PIN # 3 THROUGH A 4.7 KOHM RES. TO THE SYSYEM MICROCONTROLLER/FPGA FOR POWER MANAGEMENT CONTROL. SMALL SERIES RESISTORS ARE REQUIRED IN REGULATOR OUTPUT PATHS AS SHOWN

**HITTITE MICROWAVE CORPORATION**  
 20 Alpha Rd Chelmsford, MA 01824

TITLE: SCH, EVAL CUSTOMER

PROJECT: 130-00451-00

DRAWING #: 130-00451-00

DRAWN BY: D. ACEVAL DATE: 11/18/10

SHEET 2 OF 2

CODE ID NO. 1CN88 SIZE C REV C

12-10-2012\_15:00