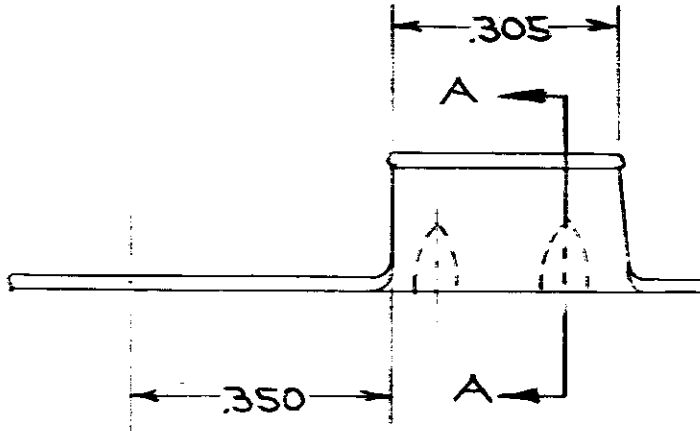
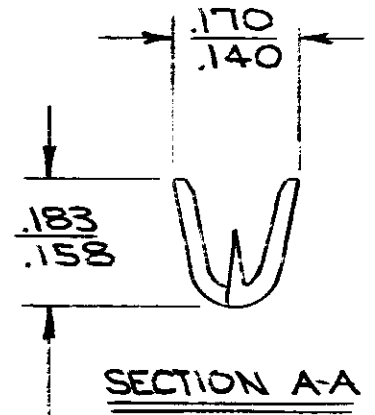
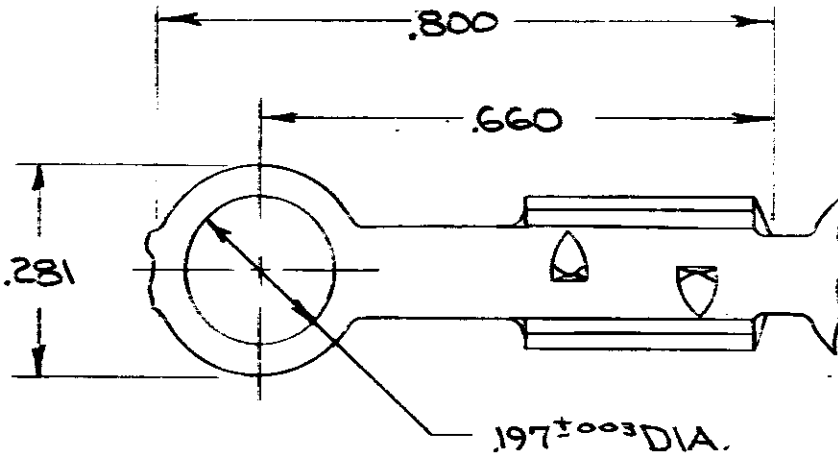


DRAWING MADE IN AMERICAN PROJECTION

NUMBER
61853

S



CONTINUOUS STRIP ON REELS

TERMINAL
NUMBER
61853-1

DIMENSIONS IN INCHES. DO NOT SCALE PRINT.

D	REACTIVATED ECN AF3113	LS	6/1	8/24/70
	OBS. ECN AF2261			
C	REACTIVATE AF 2023	SS	8/1	7/2/70
B	OBS. AF 1608	SS	8/1	5/2/70
A	RELEASED	7	6/1	5/1/70
	WAS P9-189			

©1970 BY AMP INCORPORATED. ALL RIGHTS RESERVED. AMP PRODUCTS COVERED BY PATENTS AND/OR PATENTS PENDING.

CUSTOMER COPY
REFERENCE ONLY

MATERIAL AND FINISH
.016 BRASS
NONE



AMP INCORPORATED
HARRISBURG, PENNA.

WIRE — RANGE — INSULATION
#18-16 / .110-130

CLASS — / —
TYPE — / —

LTR	REVISION RECORD	ECN	DR	DATE
DR	Gyetter 2-6-70	DE	R.F. Farny 2-6-70	
CHK		APP	R.F. Farny 2-6-70	

TOLERANCE EXCEPT AS NOTED ± .015 ± 1° 0'

SCALE — / —

LOC A E

NO 61853

REV D

NAME RING, INSULATION PIERCING