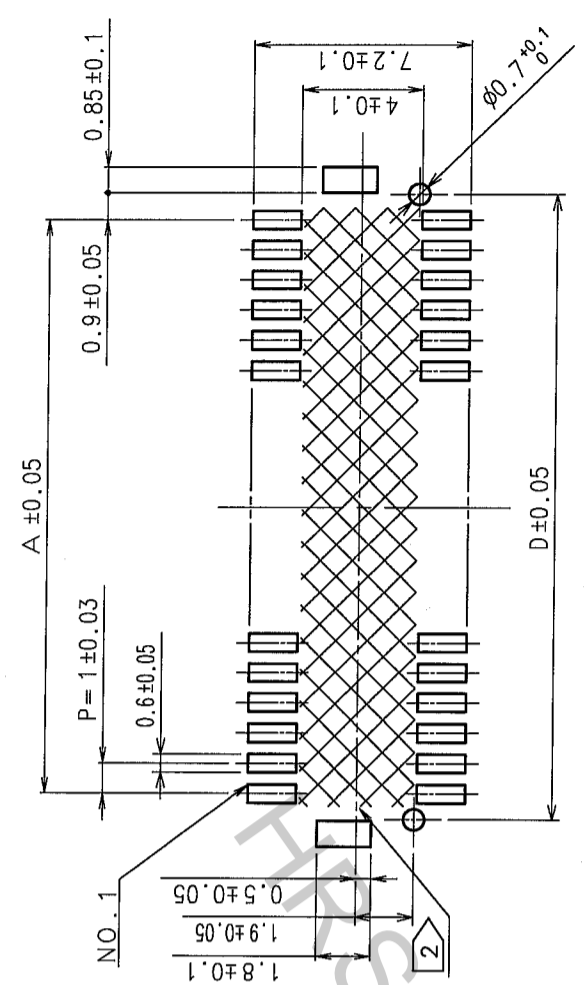


COUNT	DESCRIPTION OF REVISIONS	BY	CHKD	DATE	COUNT	DESCRIPTION OF REVISIONS	BY	CHKD	DATE

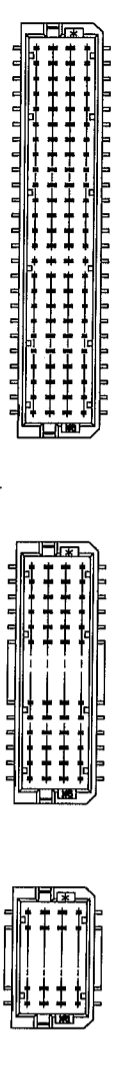
RECOMMENDED PATTERN(FREE)



PART NO.	HRS NO.	NUMBER OF CONTACTS	A	B	C	D
DF20G-10DP-1V(56)	CL686-0037-6-56	10	4.0	7.3	6.6	5.7
DF20G-20DP-1V(56)	CL686-0038-9-56	20	9.0	12.3	11.6	10.7
DF20G-30DP-1V(56)	CL686-0039-1-56	30	14.0	17.3	16.6	15.7
DF20G-40DP-1V(56)	CL686-0040-0-56	40	19.0	22.3	21.6	20.7
DF20G-50DP-1V(56)	CL686-0041-3-56	50	24.0	27.3	26.6	25.7

NOTE1: LEAD CO-PLANARITY SHALL BE 0.1mm MAX INCLUDING METAL HOLD DOWN.
 IF THERE IS PATTERN ON PART, THERE IS A POSSIBILITY THAT IT WILL MAKE CONTACT WITH THE LEADS.
 THE NUMBER AND POSITION OF A RIB ARE AS FOLLOWS BY THE NUMBER OF CONTACTS.

10, 20DP 30, 40DP 50DP

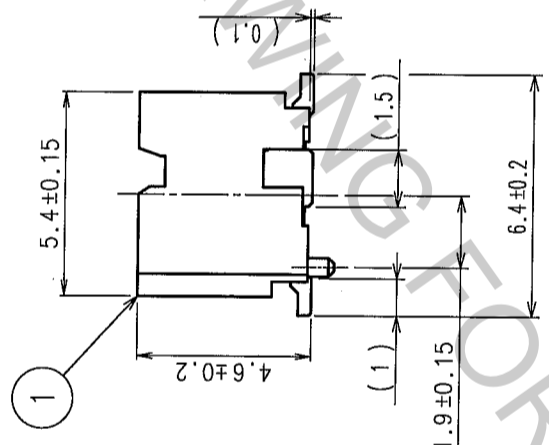


NO.	MATERIAL	FINISH, REMARKS	NO.	MATERIAL	FINISH, REMARKS
2	PHOSPHOR BRONZE	CONTACT AREA: GOLD PLATED 0.2μm min. LEAD AREA: GOLD PLATED FLASH 0.03μm min. UNDER PLATING: NICKEL PLATED 2μm min.	6	POLYAMIDE	NATURAL (BEIGE), UL94V-0
1	POLYAMIDE	NATURAL (BEIGE), UL94V-0	5	POLYESTER	CLEAR (COVER TAPE)
			4	PS	CLEAR (EMBOSSED CARRIER TAPE)
			3	BRASS	SURFACE PLATING: TIN-COPPER PLATED 1μm min. UNDER PLATING: NICKEL PLATED 1μm min.

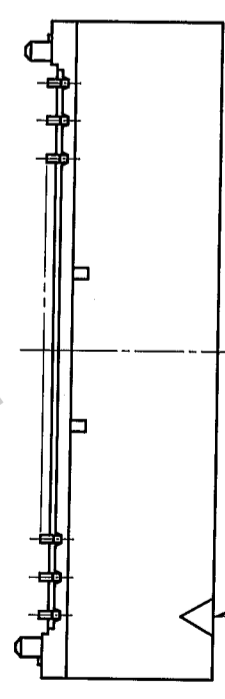
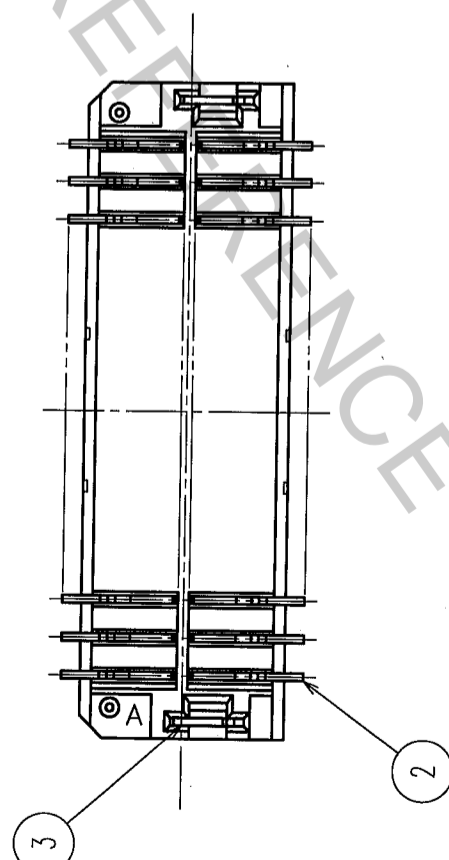
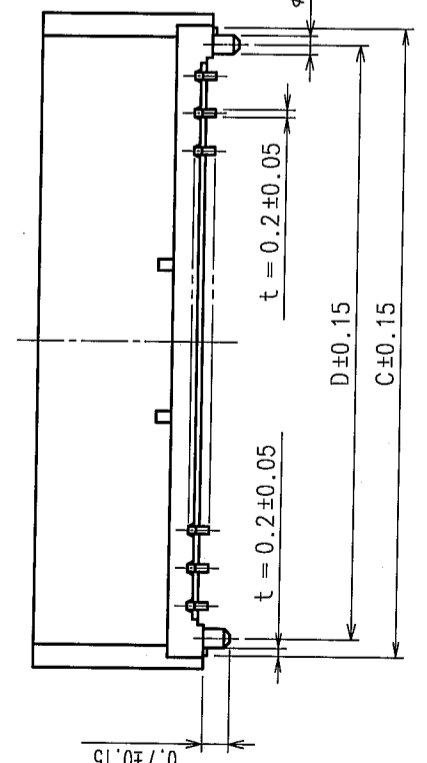
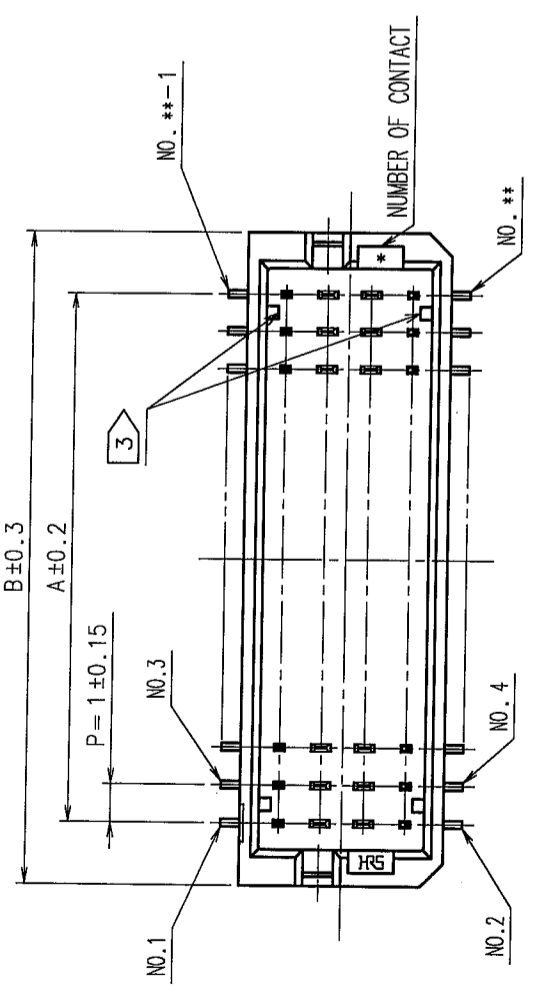
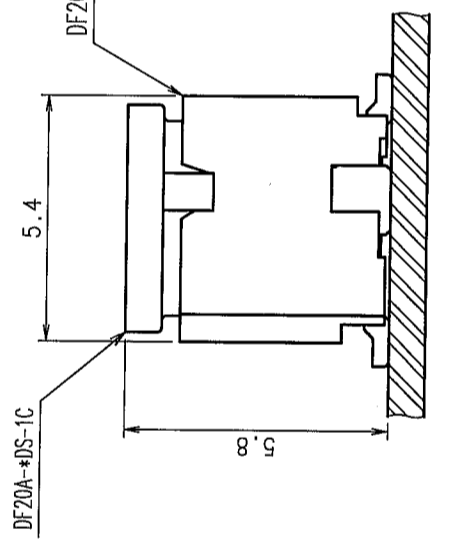
CODE NO. (OLD)	CL	DRAWN	DESIGNED	CHECKED	APPROVED	RELEASED
		A. MIURA 05.08.08	T. Yumoto 05.08.11	H. Imahara 05.08.11	J. Owa 05.08.12	

DRAWING NO.	PART NO.
EDC3-164847-02	DF20G-*DP-1V(56)

SCALE	UNITS	CODE NO.
5 : 1	mm	CL686-

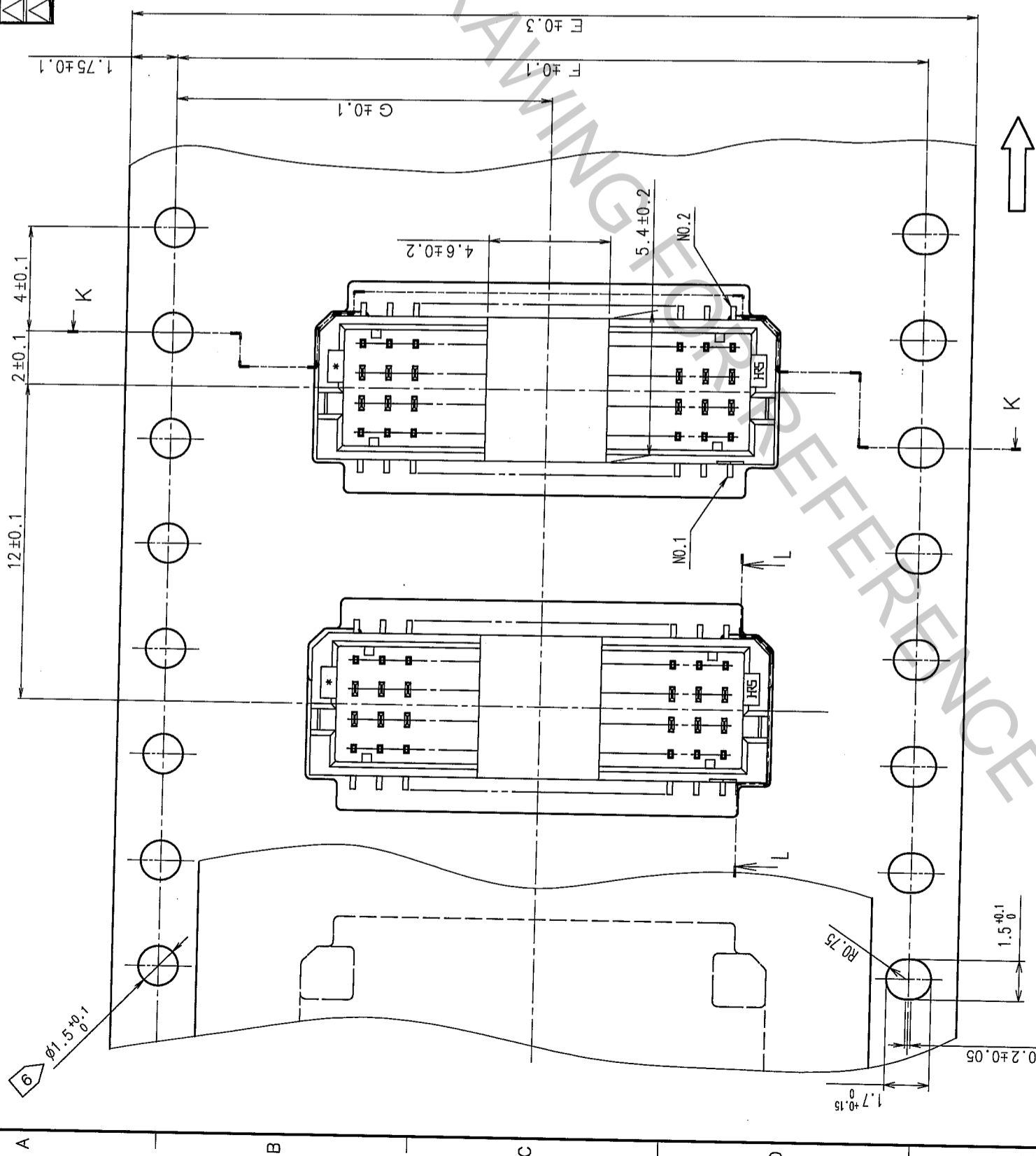


APPLICATION DIAGRAM(FREE)



TO	
----	--

A.O.数 COUNT	DESCRIPTION OF REVISIONS	BY	CHKD	DATE	COUNT	DESCRIPTION OF REVISIONS	BY	CHKD	DATE
△					△				
△					△				
△					△				

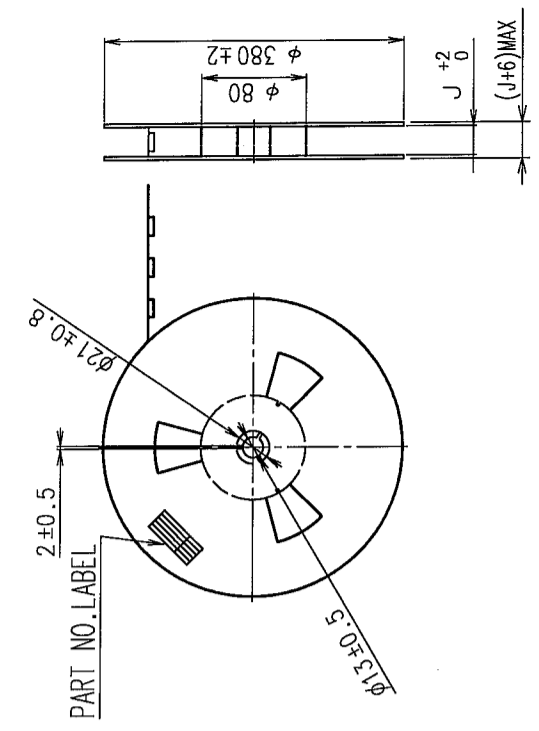


K-K

DIRECTION OF UNREELING

L-L

STYLE AND DIMENTION OF REEL (FREE)



DETAIL OF PART NO. LABEL

SUPPLIER
QUANTITY
PART NO.
CODE NO.
DATE OF MANUFACTURED

生産月日	年	月	日
図番	CL686	-	*****-56
品名	DF20G	-	*DP-1V(56)
納入数量	1000	Ko	
納入者	ヒロセ電機(株)		

NOTES: PER REEL 1000 CONNECTORS

- 5: AT THE BEGINING OF THE REEL, 30 COMPONENTS SHALL BE EMPTY.
- AT THE END OF REEL, 20 COMPONENTS SHALL BE EMPTY.
- WHEN THE TAPE WIDTH IS 16 OR 24mm, SPROCKET HOLES SHALL BE SET ON THE UPPER SIDE OF REEL AS SHOWN ON THIS DRAWING.

PART NO.	NUMBER OF CONTACTS	E	F	G	H	J
CL686-0037-6-56	10	16	-	7.5	7.6	16.4
CL686-0038-9-56	20	24	-	11.5	12.6	24.4
CL686-0039-1-56	30	32	28.4	14.2	17.6	32.4
CL686-0040-0-56	40	44	40.4	20.2	22.6	44.4
CL686-0041-3-56	50	44	40.4	20.2	27.6	44.4

CODE NO. (OLD) CL	DESIGNED A. MIURA	CHECKED T. Kumagawa	APPROVED J. Ota	RELEASED
SCALE 5 : 1	DRAWN 05.08.08	DESIGNED 05.08.11	CHECKED 05.08.11	APPROVED 05.08.12
UNITS mm	DRAWING NO. EDC3-164847-02	PART NO. DF20G-*DP-1V(56)		
	HIROSE ELECTRIC CO., LTD	CODE NO. CL686-		

HRS