

## 74LVTH652

### Low Voltage Octal Transceiver/Register with 3-STATE Outputs

#### General Description

The LVTH652 consists of bus transceiver circuits with D-type flip-flops, and control circuitry arranged for multiplexed transmission of data directly from the input bus or from the internal registers. Data on the A or B bus will be clocked into the registers as the appropriate clock pin goes to HIGH logic level. Output Enable pins (OEAB, OEBA) are provided to control the transceiver function. (See Functional Description).

The LVTH652 data inputs include bushold, eliminating the need for external pull-up resistors to hold unused inputs.

This octal transceiver/register is designed for low-voltage (3.3V)  $V_{CC}$  applications, but with the capability to provide a TTL interface to a 5V environment. The LVTH652 is fabricated with an advanced BiCMOS technology to achieve high speed operation similar to 5V ABT while maintaining low power dissipation.

#### Features

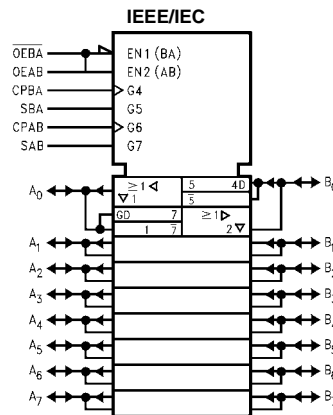
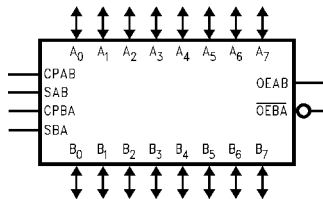
- Input and output interface capability to systems at 5V  $V_{CC}$
- Bushold data inputs eliminate the need for external pull-up resistors to hold unused inputs
- Live insertion/extraction permitted
- Power Up/Down high impedance provides glitch-free bus loading
- Outputs source/sink -32 mA/+64 mA
- Functionally compatible with the 74 series 652
- Latch-up performance exceeds 500 mA
- ESD performance:
  - Human-body model > 2000V
  - Machine model > 200V
  - Charged-device model > 1000V

#### Ordering Code:

Order Number	Package Number	Package Description
74LVTH652WM	M24B	24-Lead Small Outline Integrated Circuit (SOIC), JEDEC MS-013, 0.300 Wide
74LVTH652MTC	MTC24	24-Lead Thin Shrink Small Outline Package (TSSOP), JEDEC MO-153, 4.4mm Wide

Devices also available in Tape and Reel. Specify by appending suffix letter "X" to the ordering code.

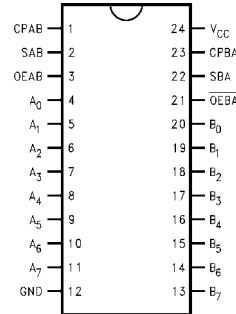
#### Logic Symbols



### Pin Descriptions

Pin Names	Description
A <sub>0</sub> -A <sub>7</sub>	Data Register A Inputs/ 3-STATE Outputs
B <sub>0</sub> -B <sub>7</sub>	Data Register B Inputs/ 3-STATE Outputs
CPAB, CPBA	Clock Pulse Inputs
SAB, SBA	Select Inputs
OEAB, OEBA	Output Enable Inputs

### Connection Diagram



### Truth Table

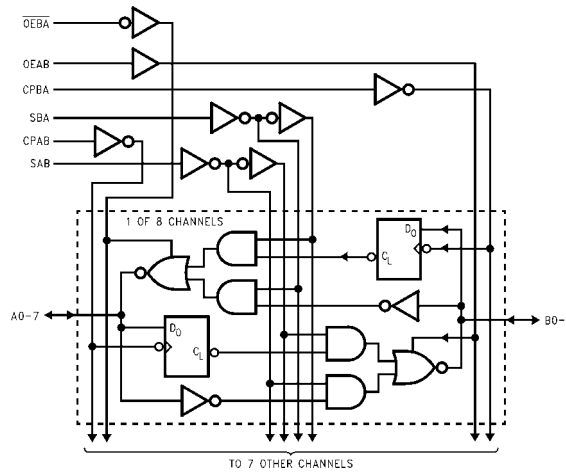
(Note 1)

Inputs						Inputs/Outputs		Operating Mode
OEAB	OEBA	CPAB	CPBA	SAB	SBA	A <sub>0</sub> thru A <sub>7</sub>	B <sub>0</sub> thru B <sub>7</sub>	
L	H	H or L	H or L	X	X	Input	Input	Isolation
L	H	↗	↗	X	X			Store A and B Data
X	H	↗	H or L	X	X	Input	Not Specified	Store A, Hold B
H	H	↗	↗	X	X	Input	Output	Store A in Both Registers
L	X	H or L	↗	X	X	Not Specified	Input	Hold A, Store B
L	L	↗	↗	X	X	Output	Input	Store B in Both Registers
L	L	X	X	X	L	Output	Input	Real-Time B Data to A Bus
L	L	X	H or L	X	H			Store B Data to A Bus
H	H	X	X	L	X	Input	Output	Real-Time A Data to B Bus
H	H	H or L	X	H	X			Stored A Data to B Bus
H	L	H or L	H or L	H	H	Output	Output	Stored A Data to B Bus and Stored B Data to A Bus

H = HIGH Voltage Level L = LOW Voltage Level X = Immaterial ↗ = LOW to HIGH Clock Transition

**Note 1:** The data output functions may be enabled or disabled by various signals at OEAB or OEBA inputs. Data input functions are always enabled, i.e., data at the bus pins will be stored on every LOW-to-HIGH transition on the clock inputs.

### Logic Diagram



Please note that this diagram is provided only for the understanding of logic operations and should not be used to estimate propagation delays.

## Functional Description

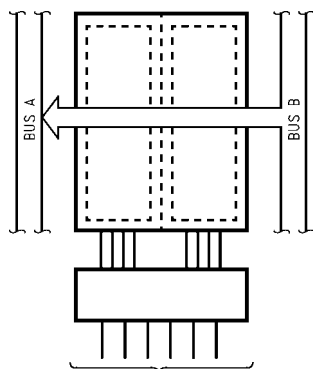
In the transceiver mode, data present at the HIGH impedance port may be stored in either the A or B register or both.

The select (SAB, SBA) controls can multiplex stored and real-time.

The examples below demonstrate the four fundamental bus-management functions that can be performed with the LVTH652.

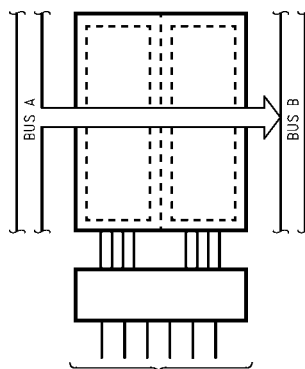
Data on the A or B data bus, or both can be stored in the internal D-type flip-flop by LOW-to-HIGH transitions at the appropriate Clock Inputs (CPAB, CPBA) regardless of the Select or Output Enable Inputs. When SAB and SBA are in the real time transfer mode, it is also possible to store data without using the internal D-type flip-flops by simultaneously enabling OEAB and  $\overline{\text{OEBA}}$ . In this configuration each Output reinforces its Input. Thus when all other data sources to the two sets of bus lines are in a HIGH impedance state, each set of bus lines will remain at its last state.

**Real-Time Transfer  
Bus B to Bus A**



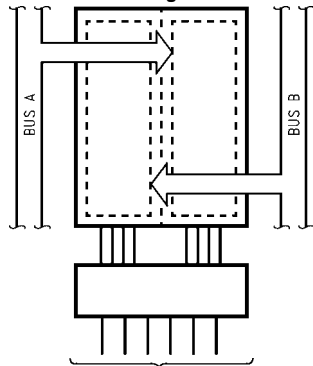
OEAB	$\overline{\text{OEBA}}$	CPAB	CPBA	SAB	SBA
L	L	X	X	X	L

**Real-Time Transfer  
Bus A to Bus B**



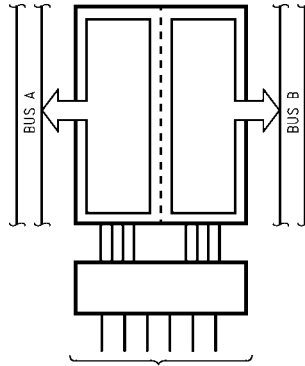
OEAB	$\overline{\text{OEBA}}$	CPAB	CPBA	SAB	SBA
H	H	X	X	L	X

**Storage**



OEAB	$\overline{\text{OEBA}}$	CPAB	CPBA	SAB	SBA
X	H	~	X	X	X
L	X	X	~	X	X
L	H	~	~	X	X

**Transfer Storage  
Data to A or B**



OEAB	$\overline{\text{OEBA}}$	CPAB	CPBA	SAB	SBA
H	L	H or L	H or L	H	H

**Absolute Maximum Ratings**(Note 2)

Symbol	Parameter	Value	Conditions	Units
$V_{CC}$	Supply Voltage	-0.5 to +4.6		V
$V_I$	DC Input Voltage	-0.5 to +7.0		V
$V_O$	DC Output Voltage	-0.5 to +7.0	Output in 3-STATE	V
		-0.5 to +7.0	Output in HIGH or LOW State (Note 3)	
$I_{IK}$	DC Input Diode Current	-50	$V_I < GND$	mA
$I_{OK}$	DC Output Diode Current	-50	$V_O < GND$	mA
$I_O$	DC Output Current	64	$V_O > V_{CC}$ Output at HIGH State	mA
		128	$V_O > V_{CC}$ Output at LOW State	
$I_{CC}$	DC Supply Current per Supply Pin	$\pm 64$		mA
$I_{GND}$	DC Ground Current per Ground Pin	$\pm 128$		mA
$T_{STG}$	Storage Temperature	-65 to +150		$^{\circ}C$

**Recommended Operating Conditions**

Symbol	Parameter	Min	Max	Units
$V_{CC}$	Supply Voltage	2.7	3.6	V
$V_I$	Input Voltage	0	5.5	V
$I_{OH}$	HIGH Level Output Current		-32	mA
$I_{OL}$	LOW Level Output Current		64	mA
$T_A$	Free-Air Operating Temperature	-40	85	$^{\circ}C$
$\Delta t/\Delta V$	Input Edge Rate, $V_{IN} = 0.8V-2.0V$ , $V_{CC} = 3.0V$	0	10	ns/V

**Note 2:** Absolute Maximum continuous ratings are those values beyond which damage to the device may occur. Exposure to these conditions or conditions beyond those indicated may adversely affect device reliability. Functional operation under absolute maximum rated conditions is not implied.

**Note 3:**  $I_O$  Absolute Maximum Rating must be observed.

DC Electrical Characteristics						
Symbol	Parameter	V <sub>CC</sub> (V)	T <sub>A</sub> = -40°C to +85°C		Units	Conditions
			Min	Max		
V <sub>IK</sub>	Input Clamp Diode Voltage	2.7		-1.2	V	I <sub>I</sub> = -18 mA
V <sub>IH</sub>	Input HIGH Voltage	2.7-3.6	2.0		V	V <sub>O</sub> ≤ 0.1V or V <sub>O</sub> ≥ V <sub>CC</sub> - 0.1V
V <sub>IL</sub>	Input LOW Voltage	2.7-3.6		0.8		
V <sub>OH</sub>	Output HIGH Voltage	2.7-3.6	V <sub>CC</sub> - 0.2		V	I <sub>OH</sub> = -100 μA
		2.7	2.4		V	I <sub>OH</sub> = -8 mA
		3.0	2.0		V	I <sub>OH</sub> = -32 mA
V <sub>OL</sub>	Output LOW Voltage	2.7		0.2	V	I <sub>OL</sub> = 100 μA
		2.7		0.5	V	I <sub>OL</sub> = 24 mA
		3.0		0.4	V	I <sub>OL</sub> = 16 mA
		3.0		0.5	V	I <sub>OL</sub> = 32 mA
		3.0		0.55	V	I <sub>OL</sub> = 64 mA
I <sub>I(HOLD)</sub>	Bushold Input Minimum Drive	3.0	75		μA	V <sub>I</sub> = 0.8V
			-75		μA	V <sub>I</sub> = 2.0V
I <sub>I(OD)</sub>	Bushold Input Over-Drive Current to Change State	3.0	500		μA	(Note 4)
			-500		μA	(Note 5)
I <sub>I</sub>	Input Current	3.6		10	μA	V <sub>I</sub> = 5.5V
	Control Pins	3.6		±1	μA	V <sub>I</sub> = 0V or V <sub>CC</sub>
	Data Pins	3.6		-5	μA	V <sub>I</sub> = 0V
I <sub>OFF</sub>	Power OFF Leakage Current	0		±100	μA	0V ≤ V <sub>I</sub> or V <sub>O</sub> ≤ 5.5V
I <sub>PU/PD</sub>	Power Up/Down 3-STATE Output Current	0-1.5V		±100	μA	V <sub>O</sub> = 0.5V to 3.0V V <sub>I</sub> = GND or V <sub>CC</sub>
I <sub>OZL</sub>	3-STATE Output Leakage Current	3.6		-5	μA	V <sub>O</sub> = 0.0V
I <sub>OZH</sub>	3-STATE Output Leakage Current	3.6		5	μA	V <sub>O</sub> = 3.6V
I <sub>OZH+</sub>	3-STATE Output Leakage Current	3.6		10	μA	V <sub>CC</sub> < V <sub>O</sub> ≤ 5.5V
I <sub>CCH</sub>	Power Supply Current	3.6		0.19	mA	Outputs HIGH
I <sub>CCL</sub>	Power Supply Current	3.6		5	mA	A or B Port Outputs LOW
I <sub>CCZ</sub>	Power Supply Current	3.6		0.19	mA	Outputs Disabled
I <sub>CCZ+</sub>	Power Supply Current	3.6		0.19	mA	V <sub>CC</sub> ≤ V <sub>O</sub> ≤ 5.5V Outputs Disabled
ΔI <sub>CC</sub>	Increase in Power Supply Current (Note 6)	3.6		0.2	mA	One Input at V <sub>CC</sub> - 0.6V Other Inputs at V <sub>CC</sub> or GND

**Note 4:** An external driver must source at least the specified current to switch from LOW-to-HIGH.

**Note 5:** An external driver must sink at least the specified current to switch from HIGH-to-LOW.

**Note 6:** This is the increase in supply current for each input that is at the specified voltage level rather than V<sub>CC</sub> or GND.

### Dynamic Switching Characteristics (Note 7)

Symbol	Parameter	V <sub>CC</sub> (V)	T <sub>A</sub> = 25°C			Units	Conditions C <sub>L</sub> = 50 pF, R <sub>L</sub> = 500Ω
			Min	Typ	Max		
V <sub>OLP</sub>	Quiet Output Maximum Dynamic V <sub>OL</sub>	3.3		0.8		V	(Note 8)
V <sub>OLV</sub>	Quiet Output Minimum Dynamic V <sub>OL</sub>	3.3		-0.8		V	(Note 8)

**Note 7:** Characterized in SOIC package. Guaranteed parameter, but not tested.

**Note 8:** Max number of outputs defined as (n). n-1 data inputs are driven 0V to 3V. Output under test held LOW.

## AC Electrical Characteristics

Symbol	Parameter	T <sub>A</sub> = -40°C to +85°C C <sub>L</sub> = 50 pF, R <sub>L</sub> = 500Ω				Units
		V <sub>CC</sub> = 3.3V ± 0.3V		V <sub>CC</sub> = 2.7V		
		Min	Max	Min	Max	
t <sub>MAX</sub>	Maximum Clock Frequency	150		150		MHz
t <sub>PLH</sub>	Propagation Delay Data to Output	1.8	5.6	1.8	6.2	ns
t <sub>PHL</sub>	Clock to A or B	1.8	4.8	1.8	5.6	
t <sub>PLH</sub>	Propagation Delay Data to Output	1.3	4.5	1.3	4.9	ns
t <sub>PHL</sub>	Data to A or B	1.3	4.6	1.3	5.2	
t <sub>PLH</sub>	Propagation Delay Data to Output	1.5	5.5	1.5	6.4	ns
t <sub>PHL</sub>	SBA or SAB to A or B	1.5	5.4	1.5	6.1	
t <sub>PZH</sub>	Output Enable Time	1.1	5.2	1.1	6.5	ns
t <sub>PZL</sub>	OE to A	1.1	5.6	1.1	6.6	
t <sub>PHZ</sub>	Output Disable Time	2.0	5.5	2.0	6.1	ns
t <sub>PLZ</sub>	OE to A	2.0	5.5	2.0	5.9	
t <sub>PZH</sub>	Output Enable Time	1.3	4.9	1.3	5.7	ns
t <sub>PZL</sub>	OE to B	1.3	5.3	1.3	5.8	
t <sub>PHZ</sub>	Output Disable Time	1.5	5.6	1.5	6.7	ns
t <sub>PLZ</sub>	OE to B	1.5	5.6	1.5	6.3	
t <sub>W</sub>	Pulse Duration	Clock HIGH or LOW		3.3		ns
t <sub>S</sub>	Setup Time	Data HIGH before CP		1.2	1.5	ns
		Data LOW before CP		1.6	2.2	
t <sub>H</sub>	Hold Time	Data HIGH or LOW after CP		0.8	0.8	ns
t <sub>OSSL</sub>	Output to Output Skew		1.0		1.0	ns
t <sub>OSLH</sub>	(Note 9)		1.0		1.0	

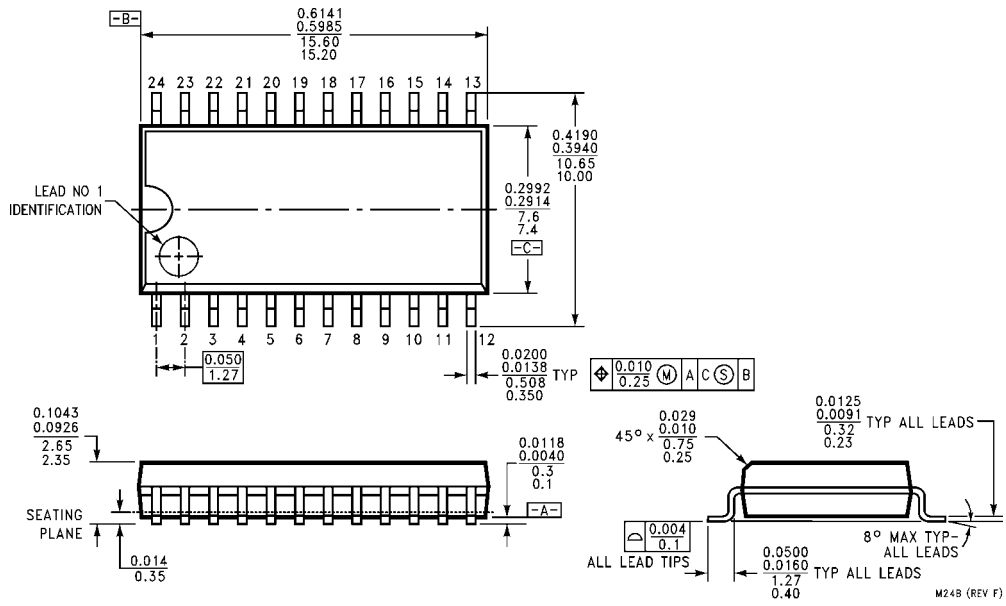
**Note 9:** Skew is defined as the absolute value of the difference between the actual propagation delay for any two separate outputs of the same device. The specification applies to any outputs switching in the same direction, either HIGH-to-LOW (t<sub>OSSL</sub>) or LOW-to-HIGH (t<sub>OSLH</sub>).

## Capacitance (Note 10)

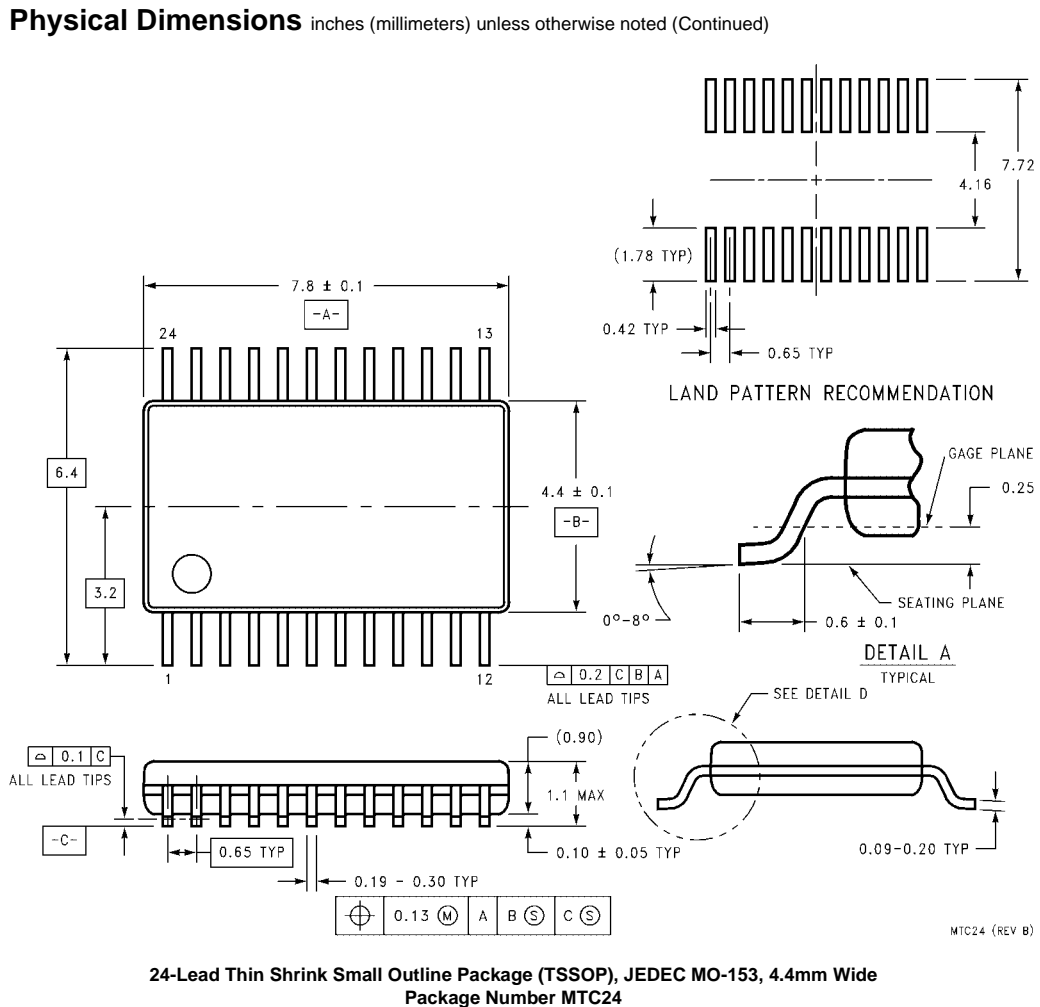
Symbol	Parameter	Conditions	Typical	Units
C <sub>IN</sub>	Input Capacitance	V <sub>CC</sub> = 0V, V <sub>I</sub> = 0V or V <sub>CC</sub>	4	pF
C <sub>IO</sub>	Input/Output Capacitance	V <sub>CC</sub> = 3.0V, V <sub>O</sub> = 0V or V <sub>CC</sub>	8	pF

**Note 10:** Capacitance is measured at frequency f = 1 MHz, per MIL-STD-883B, Method 3012.

**Physical Dimensions** inches (millimeters) unless otherwise noted



**24-Lead Small Outline Integrated Circuit (SOIC), JEDEC MS-013, 0.300 Wide  
Package Number M24B**



Fairchild does not assume any responsibility for use of any circuitry described, no circuit patent licenses are implied and Fairchild reserves the right at any time without notice to change said circuitry and specifications.

**LIFE SUPPORT POLICY**

FAIRCHILD'S PRODUCTS ARE NOT AUTHORIZED FOR USE AS CRITICAL COMPONENTS IN LIFE SUPPORT DEVICES OR SYSTEMS WITHOUT THE EXPRESS WRITTEN APPROVAL OF THE PRESIDENT OF FAIRCHILD SEMICONDUCTOR CORPORATION. As used herein:

1. Life support devices or systems are devices or systems which, (a) are intended for surgical implant into the body, or (b) support or sustain life, and (c) whose failure to perform when properly used in accordance with instructions for use provided in the labeling, can be reasonably expected to result in a significant injury to the user.
2. A critical component in any component of a life support device or system whose failure to perform can be reasonably expected to cause the failure of the life support device or system, or to affect its safety or effectiveness.

[www.fairchildsemi.com](http://www.fairchildsemi.com)