

THIS DRAWING IS UNPUBLISHED. RELEASED FOR PUBLICATION AUG ,2005.

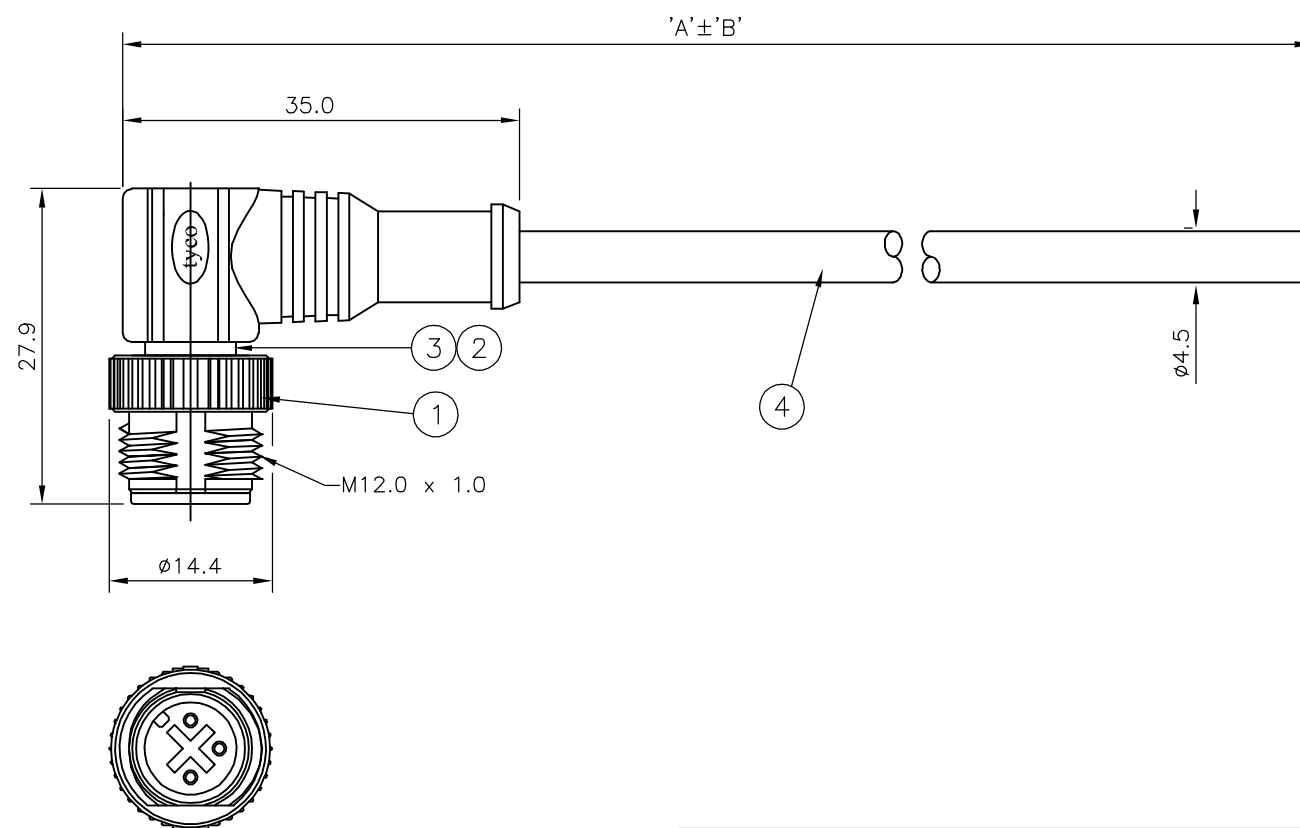
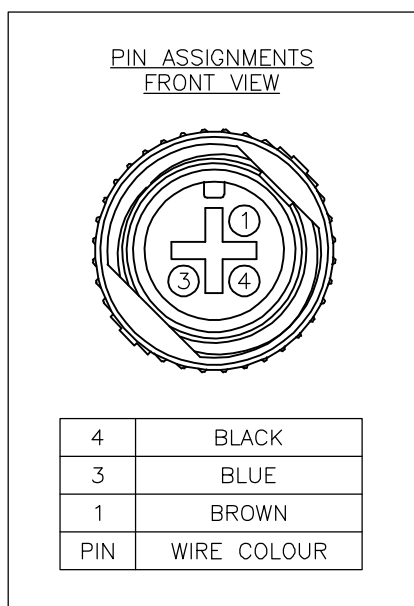
© COPYRIGHT 2005 BY TYCO ELECTRONICS CORPORATION. ALL RIGHTS RESERVED.

| LOC | DIST | REVISIONS     |         |     |      |
|-----|------|---------------|---------|-----|------|
| P   | LTR  | DESCRIPTION   | DATE    | DWN | APVD |
|     | B    | ECR-07-004041 | 19FEB07 | AM  | FWK  |

NOTES:

- ELECTRICAL DATA: CONTACT RESISTANCE: 10 mOhm MAX  
INSULATION RESISTANCE: 100 MOhm MIN at 500VDC  
CURRENT RATING: 5 AMPS  
BREAKDOWN VOLTAGE: 500 VAC MIN PER MINUTE
- ENVIRONMENTAL: OPERATING TEMPERATURE: -25°C TO +90°C  
SEALING REQUIREMENTS: IP67
- PROD SPEC: 108-3641
- PACKAGING: 107-3334
- FOR TECHNICAL DATA REFER TO YOUR LOCAL TYCO ELECTRONICS SALES OFFICE
- ALL DIMENSIONS ARE NOMINAL FOR REFERENCE ONLY UNLESS OTHERWISE STATED

| ITEM | DESCRIPTION                                | MATERIAL      | FINISH/COLOUR                  | QTY |
|------|--|---------------|--------------------------------|-----|
| 1    | SCREW NUT                                  | ZINC DIE CAST | 2.5µm NICKEL PLATED            | 1   |
| 2    | CONNECTOR BODY                             | POLYURETHANE  | BLACK                          | 1   |
| 3    | PIN CONTACT                                | BRASS         | 0.15µm GOLD PLATED OVER NICKEL | 3   |
| 4    | 3 CORE CABLE (CORES 0.34 mm <sup>2</sup> ) | PU JACKET     | BLACK                          | 1   |



|       |         |   |             |
|-------|---------|---|-------------|
| 10000 | 500 mm  | M12 RIGHT ANGLED MALE CONNECTOR 10.0m CABLE | 1838249-5   |
| 7000  | 350 mm  | M12 RIGHT ANGLED MALE CONNECTOR 7.0m CABLE  | 1838249-4   |
| 5000  | 250 mm  | M12 RIGHT ANGLED MALE CONNECTOR 5.0m CABLE  | 1838249-3   |
| 3000  | 150 mm  | M12 RIGHT ANGLED MALE CONNECTOR 3.0m CABLE  | 1838249-2   |
| 2000  | 100 mm  | M12 RIGHT ANGLED MALE CONNECTOR 2.0m CABLE  | 1838249-1   |
| DIM A | TOL 'B' | DESCRIPTION                                 | PART NUMBER |

|   |  |                                   |   |                    |
|---|--|-----------------------------------|---|--------------------|
| THIS DRAWING IS A CONTROLLED DOCUMENT.                                      |  | DWN<br>H M RAGHAVENDRA<br>22AUG05 | Tyco Electronics Corporation<br>Bideford, UK, EX39 4HE          |                    |
| DIMENSIONS:<br>mm   |  | CHK<br>F.WHEELER-KING<br>07AUG06  | NAME<br>M12 RIGHT ANGLED MALE CONNECTOR<br>3 POSITION, PU CABLE |                    |
| TOLERANCES UNLESS OTHERWISE SPECIFIED:                                      |  | APVD<br>F.WHEELER-KING<br>07AUG06 | PRODUCT SPEC  |                    |
| 0 PLC ± -<br>1 PLC ± -<br>2 PLC ± -<br>3 PLC ± -<br>4 PLC ± -<br>ANGLES ± - |  | APPLICATION SPEC                  |   |                    |
| MATERIAL  |  | WEIGHT                            | SIZE<br>A3  | CAGE CODE<br>00779 |
|   |  | DRAWING NO<br>C-1838249           |   | RESTRICTED TO      |
| CUSTOMER DRAWING  |  |                                   | SCALE<br>NTS  | SHEET<br>1 OF 1    |
|   |  |                                   | REV<br>B  |                    |