

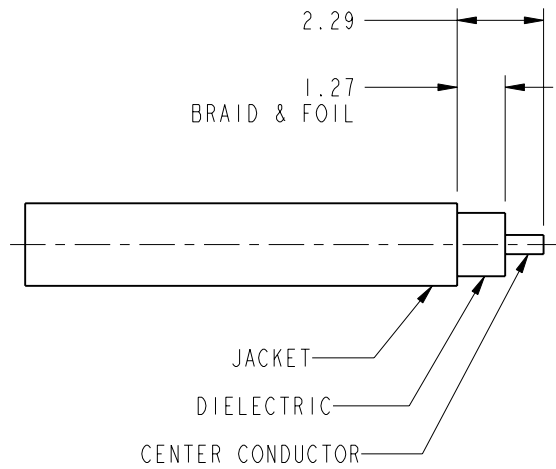
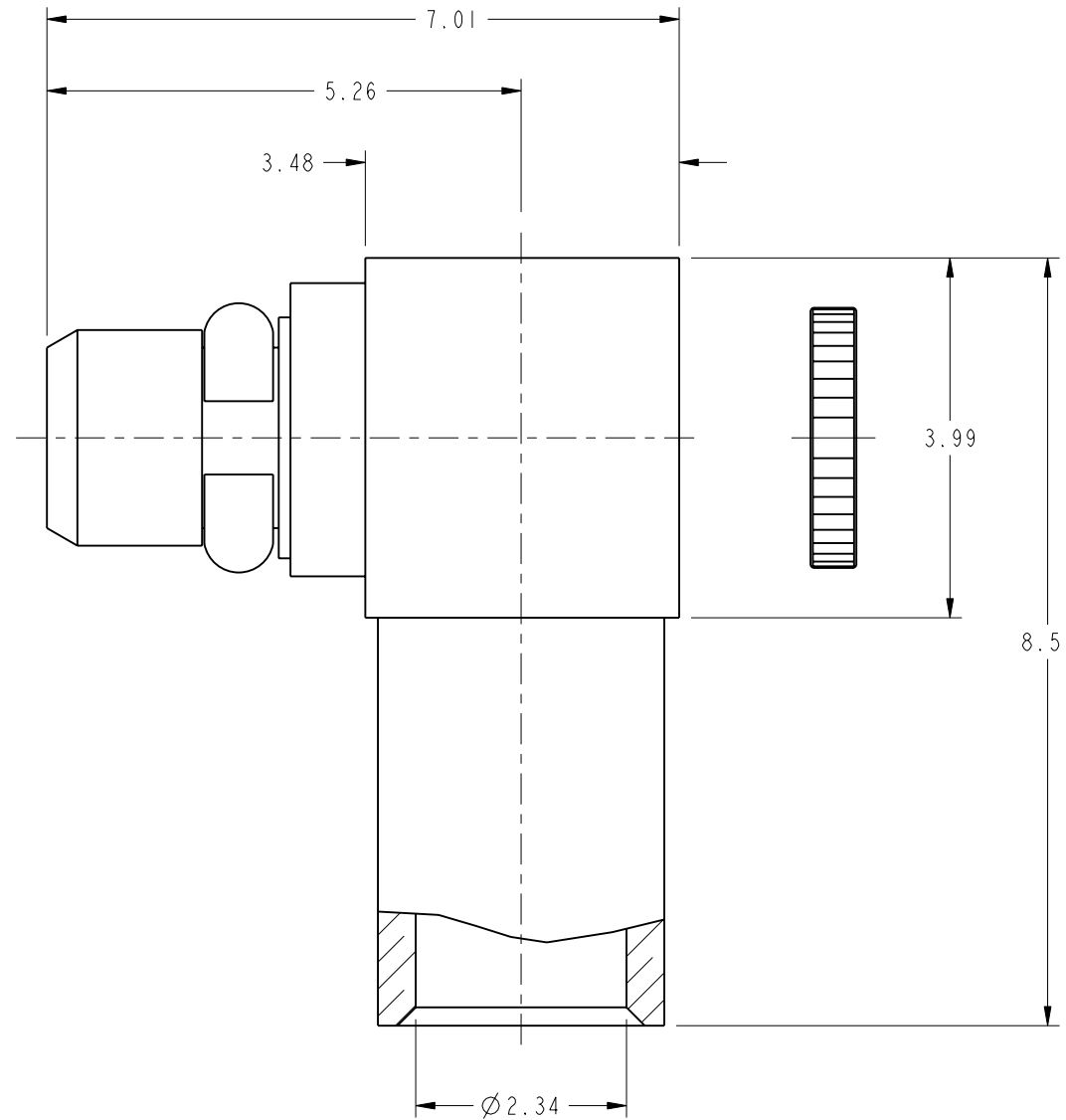
NOTES:

1. MATERIALS AND FINISH:
 BODY: BRASS, GOLD PLATED
 CONTACT: BRASS, GOLD PLATED
 CAP: BRASS, GOLD PLATED
 INSULATOR: PTFE, NATURAL
2. ELECTRICAL:
 A. IMPEDANCE: 50 OHM
 B. FREQUENCY RANGE: DC - 6 GHZ
 C. DIELECTRIC WITHSTANDING VOLTAGE: 500 VRMS. MIN.
3. PHYSICAL:
 A. OPERATING TEMPERATURE = -65°C TO +165°C
 B. DURABILITY = 500 MATING CYCLES MINIMUM
4. USE ASSEMBLY INSTRUCTIONS 349-50602.
5. SOLDER CENTER AND OUTER CONDUCTOR.

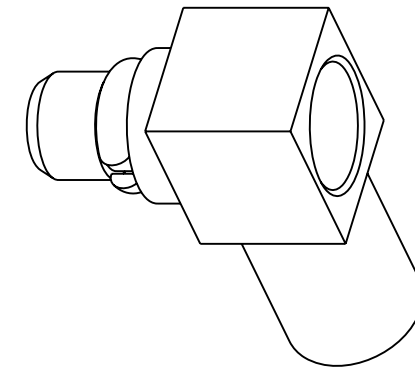
THIRD ANGLE PROJ.

REVISIONS

REV	DESCRIPTION	DATE	ECO	APPR
A	OFFICIAL ENG. RELEASE TO MFG.	06-06-95	40641	GT/RV
B	REDRAWN ON PRO/E, SEE E.C.O. FOR DETAILS	6/5/96	41376	BCG
C	BODY WAS CHANGED	3/23/09	47451	CPM
D	BODY WAS CHANGED	31-Mar-11	48431	SH



CABLE STRIPPING DIMENSIONS



SCALE 6.000

CUSTOMER OUTLINE DRAWING
 ALL OTHER SHEETS ARE FOR INTERNAL USE ONLY

UNLESS OTHERWISE SPECIFIED, DIMENSIONS ARE IN METRIC AND TOLERANCES ARE: <0.5mm ±0.05mm 0.5 - 6mm ±0.1mm 6 - 30mm ±0.2mm 30 - 120mm ±0.3mm ANGLES ±1°	MATERIAL	DRAWN T. DENG	DATE 29-Mar-11	TITLE MICROMATE (MALE) RIGHT ANGLE FOR .086 S/R CABLE	Amphenol RF www.amphenolrf.com
	NOTICE - These drawings, specifications, or other data (1) are, and remain the property of Amphenol corp. (2) must be returned upon request; and (3) are confidential and not to be disclosed to any person other than those to whom they are given by Amphenol Corp. the finishing of these drawings, specifications, or other data by Amphenol Corp., or to any other person to anyone for any purpose is not to be regarded by implication or otherwise in any manner licensing, granting rights to permitting such holder or any other person to manufacture, use or sell any product, process or design, patented or otherwise, that may in any way be related to or disclosed by said drawings, specifications, or other data.	REFERENCE MOTOROLA EAR 964678-0 615X-1320-300 GEN# ASSYM2.MMCX CONFIGURATION LEVEL: FINISH	ENGINEER R. VACCARO		
		APPROVED S. HSIEH	DATE 31-Mar-11	SCALE: 12.0:1.0 SHEET 2 OF 2	ITEM NO. 908-43400
		CAD FILE		DWG SIZE B	REV D
					PART NO. 908-43400