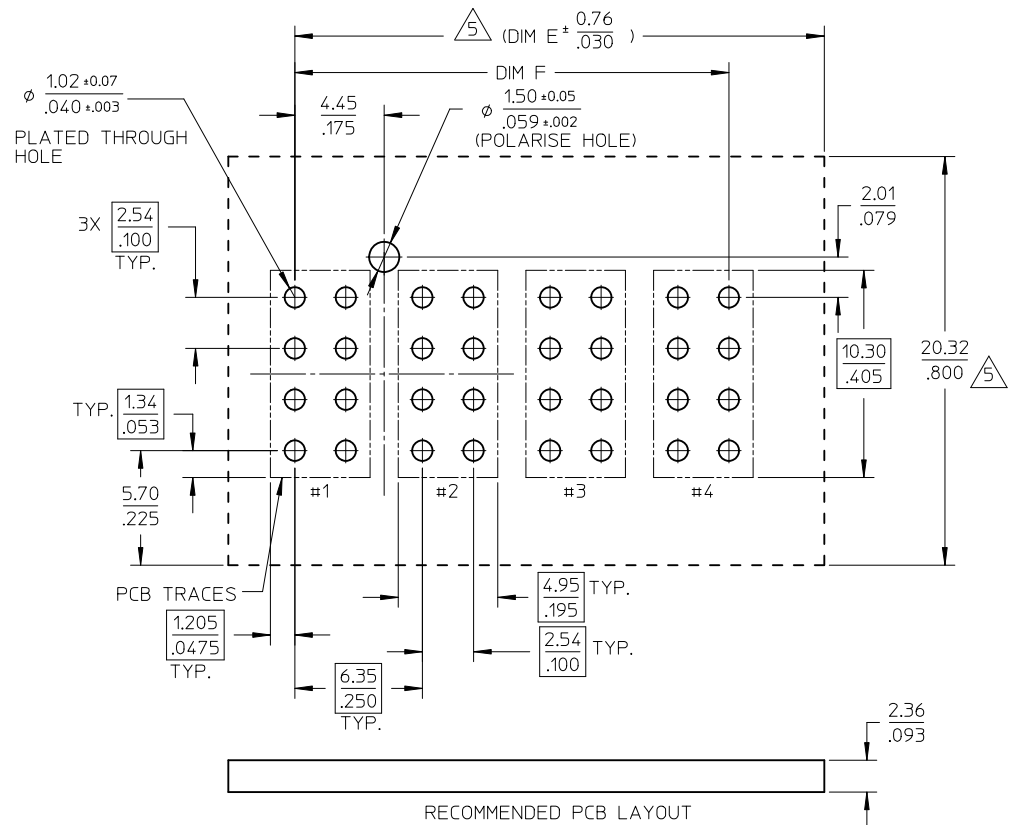


OBS TIN/LEAD P/N EC NO: S2011-0260 DRWN:SKANG 2010/10/22 CHKD:ATSEE 2010/11/29 APPR:MLONG 2010/12/01	QUALITY SYMBOLS $\nabla F=0$ $\nabla F=0$ $\nabla F=0$	GENERAL TOLERANCES (UNLESS SPECIFIED)		DIMENSION STYLE	SCALE	DESIGN UNITS	THIRD ANGLE PROJECTION TITLE POWER CONN. RECEPTACLE POWER CONFIGURATION VERTICAL PRESS-FIT MOLEX INCORPORATED SD-87680-010	SHEET NO. 1 OF 2		
			mm	INCH	MM/IN	NTS			METRIC	
		4 PLACES	\pm ---	\pm ---	DRAWN BY	DATE			DRAWN BY	
		3 PLACES	\pm ---	\pm .005	CHECKED BY	DATE			DATE	
	2 PLACES	\pm 0.13	\pm ---	PTL IM	2002/11/25	2002/11/25				
	1 PLACE	\pm ---	\pm ---	APPROVED BY	DATE	DATE				
	ANGULAR $\pm 3^\circ$			SKTOH	2002/11/26	2002/11/26				
	DRAFT WHERE APPLICABLE MUST REMAIN WITHIN DIMENSIONS			MATERIAL NO.	SEE TABLE		DOCUMENT NO.			
				SIZE	THIS DRAWING CONTAINS INFORMATION THAT IS PROPRIETARY TO MOLEX INCORPORATED AND SHOULD NOT BE USED WITHOUT WRITTEN PERMISSION					

PART NUMBER	NUMBER OF POWER PINS	RECESSED POWER CIRCUIT #	DIM A	DIM B	DIM C	DIM D	DIM E	DIM F	PACKAGING	STATUS
87680-2001	2	2	11.05 .435	6.35 .250	1.12 .044	2.39 .094	13.63 .537	8.89 .350	TRAY	TOOLED
87680-2002	4	2,3,4	23.75 .935	19.05 .750	1.12 .044	2.39 .094	26.33 1.037	21.59 .850	TRAY	TOOLED



CONNECTOR - NOTES

- MATERIALS :
 - HOUSING - HIGH TEMPERATURE THERMO-PLASTIC, GLASS FILLED, UL94-0,COLOR:BLACK.
 - POWER PIN - COPPER ALLOY
 - PLATING :
 - POWER CONTACTS
 - 0.76 MICROMETER MINIMUM GOLD (Au) AT CONTACT AREA AND 2.54 MICROMETER MINIMUM TIN AT SOLDERTAIL AREA OVER 1.27um MIN. NICKEL (Ni) UNDERPLATE.
 - PRODUCT SPECIFICATION: PS-87680-006.
 - PCB NOTE FOR DIAMETER 1.02/.040 PLATED HOLE.
 - DRILLED HOLE SIZE IS 1.151/.0453
 - PLATE WITH 0.007/.0003 MINIMUM TIN OVER 0.03/.001 TO 0.08/.003 COPPER PLATING TO ACHIEVE 1.02±0.08/.040±.003 HOLE.
- SEE SHEET 2 FOR RECOMMENDED PCB LAYOUT.
- △ COMPONENT STAY AWAY ZONE FROM CONNECTOR.
- △ MANUFACTURER LOGO,PART NUMBER AND YEAR-WEEK CODE.

OBS TIN/LEAD P/N EC NO: S2011-0260 DRWN:SKANG 2010/10/22 CHKD:ATSEE 2010/11/29 APPR:MLONG 2010/12/01	REV	DESCRIPTION	QUALITY SYMBOLS	GENERAL TOLERANCES (UNLESS SPECIFIED)	DIMENSION STYLE	SCALE	DESIGN UNITS	THIRD ANGLE PROJECTION	
			$F_A=0$	mm INCH	MM/IN	NTS	METRIC	□	
			$F_G=0$	4 PLACES ± --- ± ---	DRAWN BY DATE	TITLE	POWER CONN. RECEPTACLE POWER CONFIGURATION VERTICAL PRESS-FIT		
			$F_P=0$	3 PLACES ± --- ± .005	KMG0H 2002/08/27	CHECKED BY DATE			
			2 PLACES ± 0.13 ± ---	PTLIM 2002/11/25	MOLEX MOLEX INCORPORATED				
			1 PLACE ± --- ± ---	APPROVED BY DATE					
			ANGULAR ± 3 °	SKTOH 2002/11/26	SD-87680-010				
			DRAFT WHERE APPLICABLE MUST REMAIN WITHIN DIMENSIONS	MATERIAL NO. DOCUMENT NO.					
				SEE TABLE	SHEET NO. 2 OF 2				
				SIZE A3	THIS DRAWING CONTAINS INFORMATION THAT IS PROPRIETARY TO MOLEX INCORPORATED AND SHOULD NOT BE USED WITHOUT WRITTEN PERMISSION				