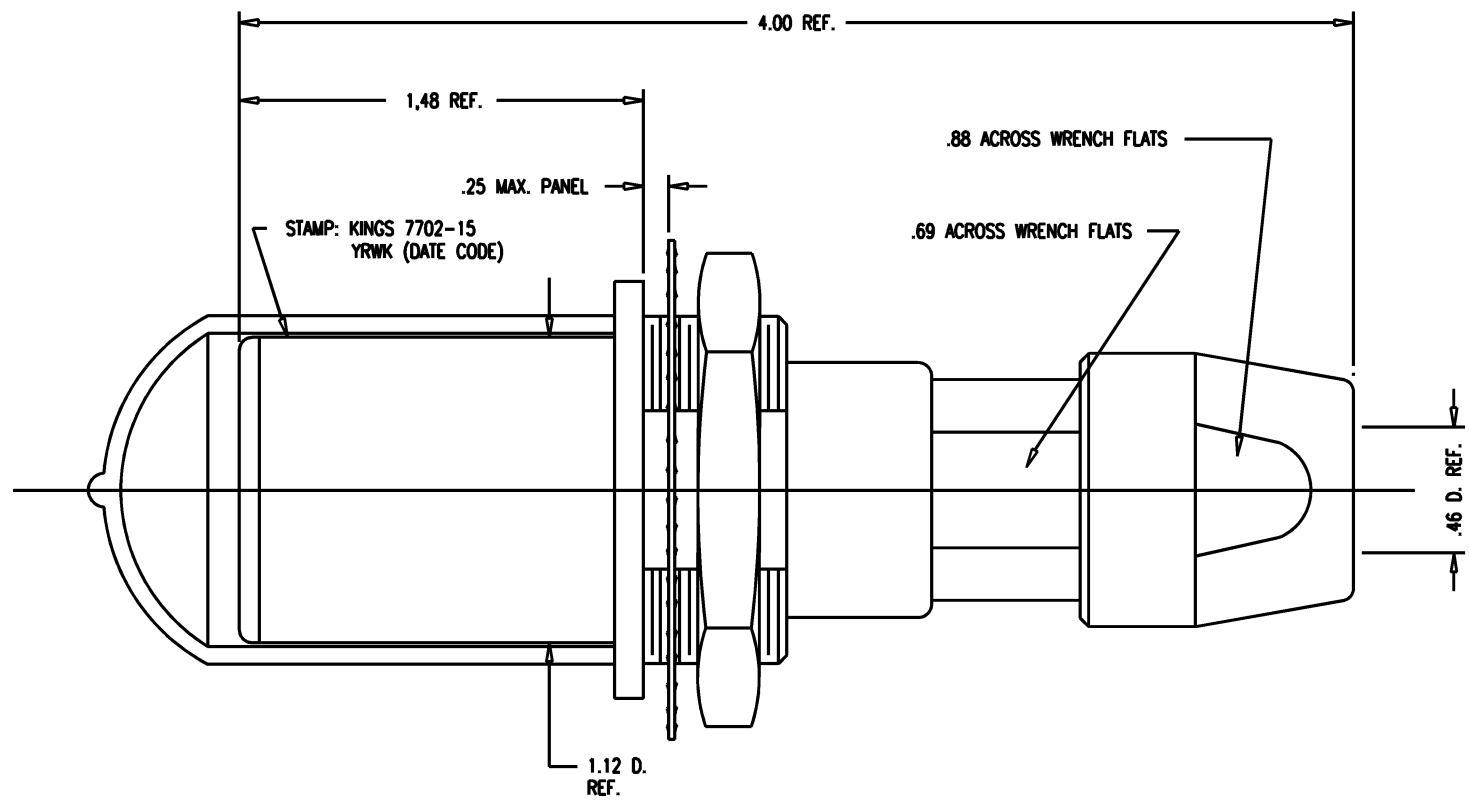


DASH NO.	M CODE	MADE FROM
----------	--------	-----------

GSD

7702-15

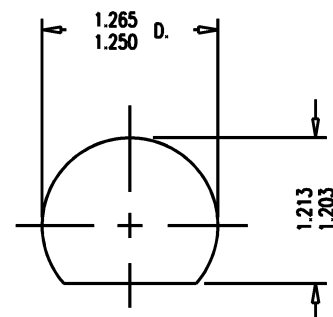
REVISIONS	
ISSUE	CHANGES
0	ER 36993 KH 06/05/96
1	CN 37012 E KH 06/18/96
2	CN 37238 A KH 02/03/97
3	CN 38154 C BDH 12/14/00



NOTES:

- FOR USE WITH BELDEN 1859A (79 CABLE GROUP).
- FOR CABLING INSTRUCTIONS SEE KAI-8011.
- FOR CRIMPING USE DIE SIZE 2040.
- MATERIALS:**
 INSULATORS-TEFLON, ASTM-D-4894
 LOCKWASHER-SPRING STEEL, PER ASTM A682
 GASKETS-SILICONE RUBBER, Z2-R-765
 CAP-VINYL
 K-GRIP SLEEVE-COMMERCIAL BRONZE, ASTM-B-135
 CENTER CONTACT }
 OUTER CONTACT SPRING } BER. COP., ASTM-B-196
 INSERT
 ALL OTHER METAL PARTS-BRASS, ASTM-B16

- FINISHES:**
 CENTER CONTACT }
 OUTER CONTACT SPRING } GOLD PLATE PER MIL-G-45204
 LOCKWASHER }
 NUTS }
 COLLET } KINGS TARNISH RESISTANT NICKEL FINISH (TR-5)
 BODIES }
 ALL OTHER METAL PARTS-SILVER PLATE PER QQ-S-365
- ELECTRICAL CHARACTERISTICS:**
 NOMINAL IMPEDANCE: 75 OHMS
 FREQUENCY RANGE: DC-500 MHZ
 VOLTAGE BREAKDOWN: CENTER CONDUCTOR/INNER GROUND: 1500 VRMS
 INNER GROUND/OUTER GROUND: 500 VRMS



GSD

MOUNTING HOLE

KAM6637

SCALE 2:1	
APPROX SURFACE AREA	
WAS: E-19366	
USED ON	
REF:	
JK, BKHD, TRI-LOC, SERIAL DIGITAL	
DRAWN KH	DATE 05/31/96
DESIGN DW	DATE 05/31/96
APPR.	DATE

KINGS
ELECTRONICS CO., INC.
ROCK HILL, SOUTH CAROLINA 29730

7702-15