

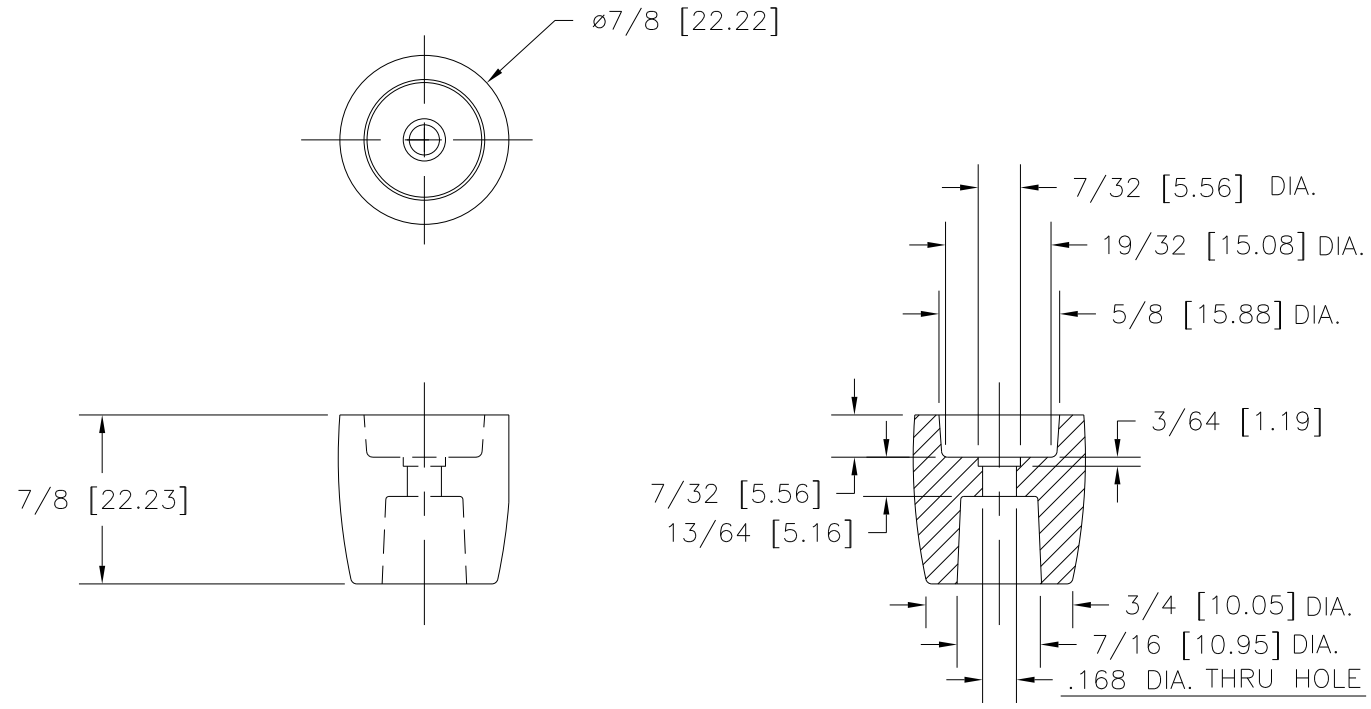
PART NAME: FOOT SCALE: 1:1 DATE: 7/26/56 DR. BY LSP

THIS DRAWING IS THE PROPERTY OF DAVIES MOLDING COMPANY, IS SUBMITTED SOLELY AS A DESIGN OR ENGINEERING PROJECT. WE ACCEPT NO RESPONSIBILITY WHATSOEVER FOR THE PRACTICAL APPLICATION OF THE PIECES MADE TO THIS DESIGN.



P/N	4020-A
M ^{NO}	4000
CAVITY	4000
PLUNGER	4020
TOP PIN	4000-4(SHORT)
BOTTOM PIN	4000-2
STOKES SET-UP	
FRAME	4005
CAVITY	4020
PLUNGER	4020
PINS	4020+4020-2

CAD/REDRAWN : 11/4/94 : HD



MATERIAL: G.P. PHENOLIC (B11)
COLOR: BLACK

TOLERANCES: UNLESS OTHERWISE SPECIFIED	DO NOT SCALE DRAWING			
DECIMALS: X.XXX ± .005 X.XX ± .015	MM: X.XX ± 0.15MM X.X ± 0.4MM			
FRACTIONS ± 1/64	ANG. ± 1°	CHANGES		