

CY8CKIT-141 PSoC® 4 BLE SMA MODULE

CY8CKIT-141 PSoC® 4 BLE SMA Module is an easy-to-use solution for creating complete BLE systems. It features a PSoC 4 BLE device, two crystals, and an SMA connector, and other passives, and provides access to all GPIOs of the device.

Visit www.cypress.com/BLE for more information on Cypress’s BLE solutions.

PSoC 4 BLE is an ARM® Cortex®-M0 based single-chip solution that integrates programmable analog front ends and digital peripherals, the CapSense® technology for touch sensing, and a Bluetooth® Low Energy or Bluetooth Smart radio.

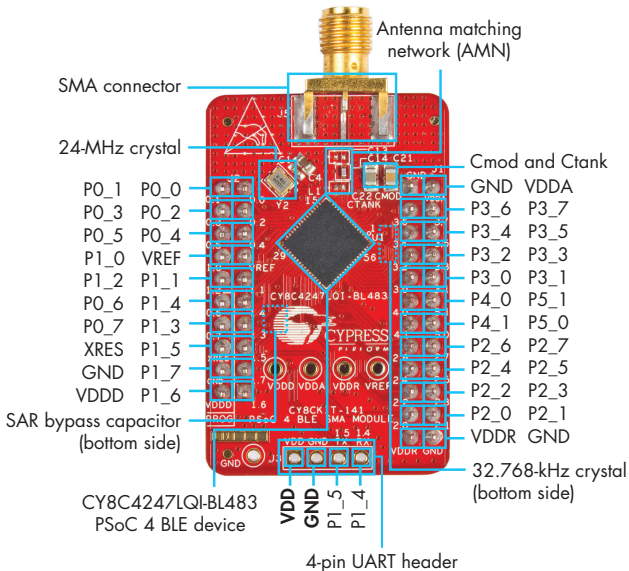


Fig-1: Pinout Description for PSoC 4 BLE SMA Module

Note: To apply power to the module, use the VDD pin (1.9 V - 5.0 V) and GND pin.

CY8CKIT-141 PSoC® 4 BLE SMA MODULE

STANDALONE USE WITH PSoC CREATOR™ IDE AND CY8CKIT-002 MINIPROG3



Pin Mapping	
CY8CKIT-002	CY8CKIT-141
VTARG	VDD
GND	GND
RES	XRES
SCLK	PO_7
SDAT	PO_6

Fig-2: Programming and Debugging with CY8CKIT-002

USING THE CY8CKIT-141 MODULE WITH CY8CKIT-042-BLE PIONEER KIT

Step 1: Plug the module on the CY8CKIT-042-BLE Pioneer Kit baseboard.

Step 2: Create your design in PSoC Creator IDE and use the BLE Pioneer Kit to program and debug.

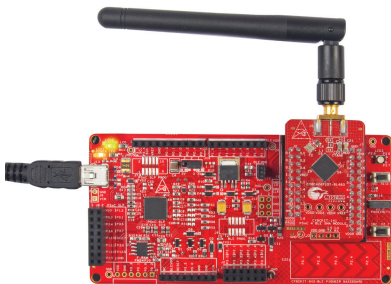


Fig-3: Programming and Debugging with CY8CKIT-042 BLE Pioneer Baseboard

Additional regulatory certification will be required to integrate the module into an end product. Contact support@cypress.com for details.

For more information about this kit, visit www.cypress.com/CY8CKIT-141

