

4

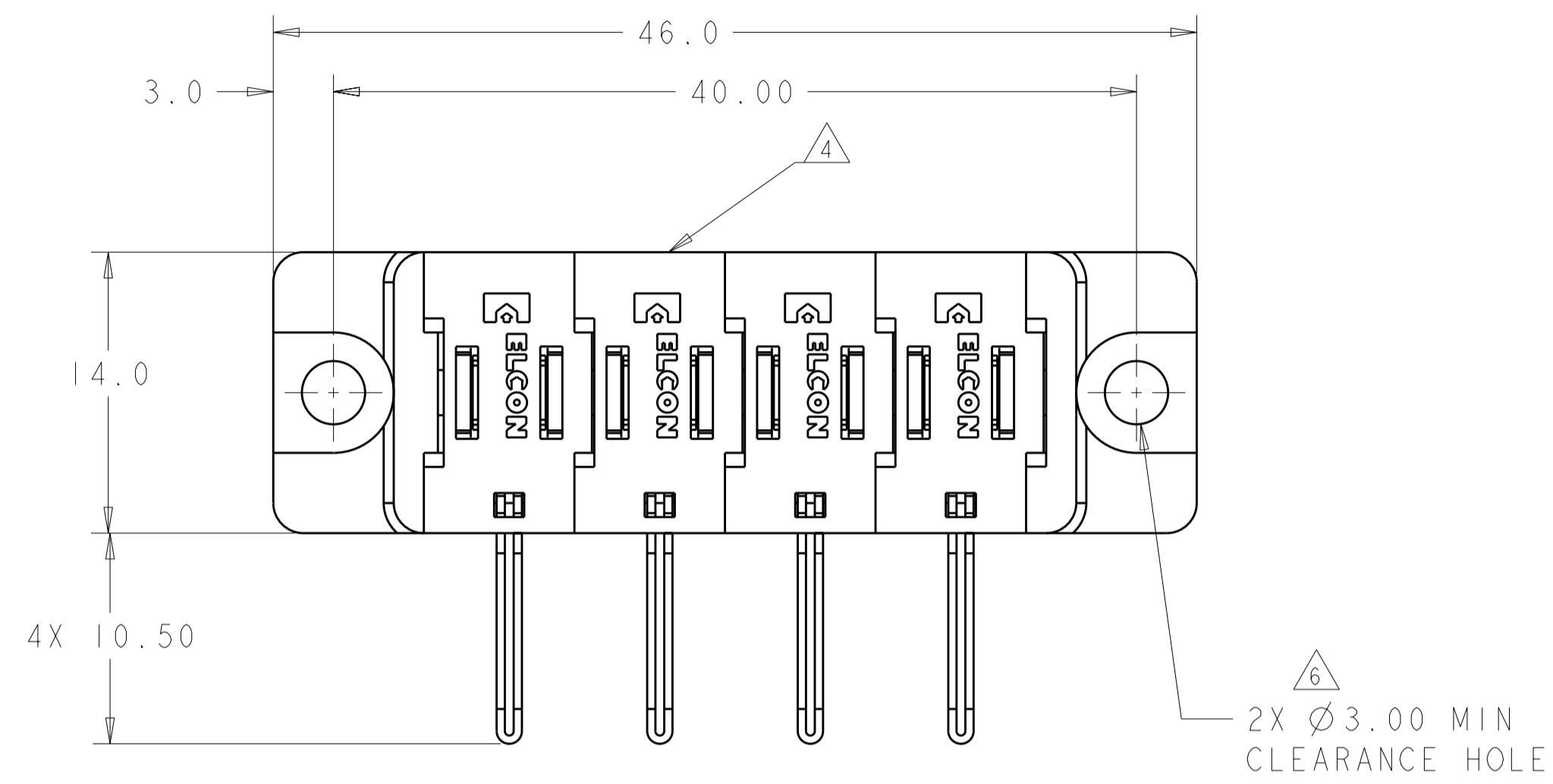
3

2

1

THIS DRAWING IS UNPUBLISHED. RELEASED FOR PUBLICATION 20
 © COPYRIGHT 20 BY TYCO ELECTRONICS CORPORATION. ALL RIGHTS RESERVED.

LOC		DIST		REVISIONS			
P	LTR	DESCRIPTION	DATE	DWN	APVD		
GP	00	A	RELEASED	15APR2008	RG	SF	



1. PART NUMBER CHANGES AND OR DESIGN CHANGES AFFECTING ITEM INTERCHANGEABILITY REQUIRE PRIOR TYCO ELECTRONICS APPROVAL AND AUTHORIZATION BY REVISION TO THIS DRAWING.

2 MATERIAL: INSULATORS - THERMOPLASTIC, GLASS REINFORCED, COLOR: BLACK
 UL94V-0 FLAMMABILITY RATED.
 POWER CONTACTS - PHOSPHOR BRONZE ALLOY, COPPER ALLOY
 CROWN BAND: BERYLLIUM COPPER

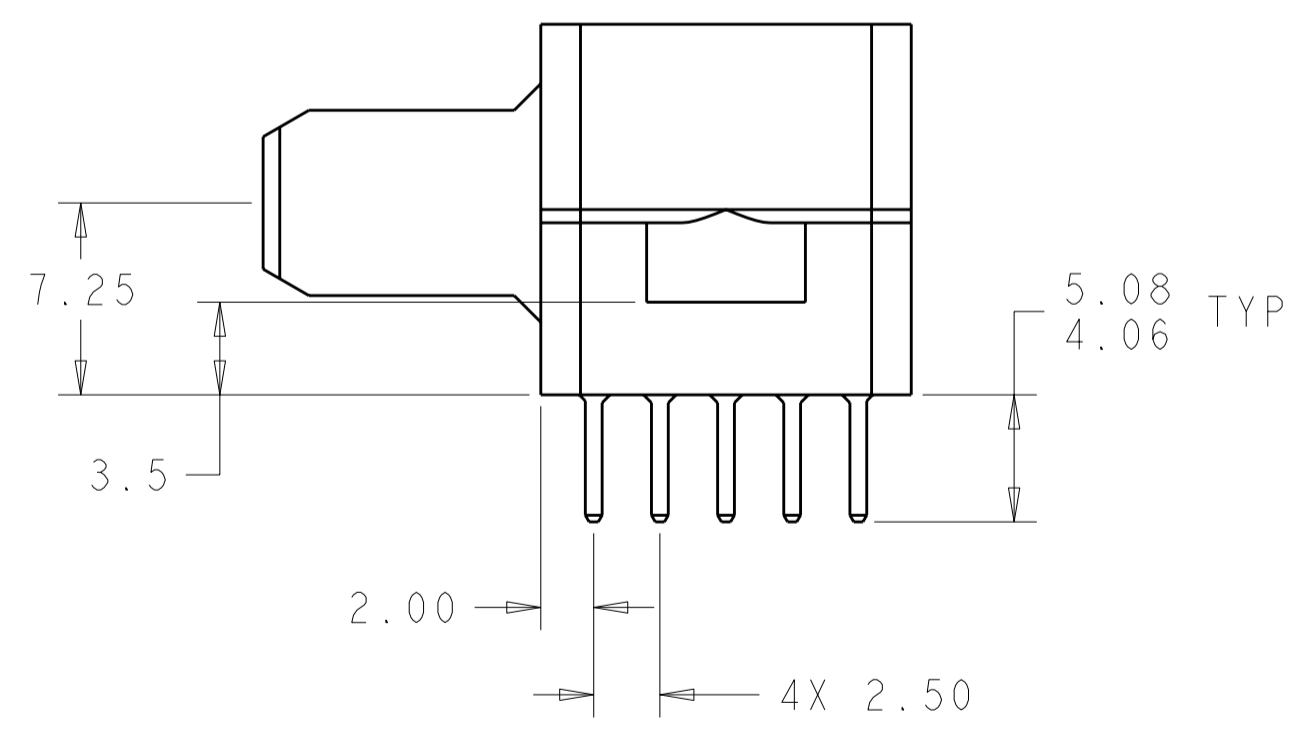
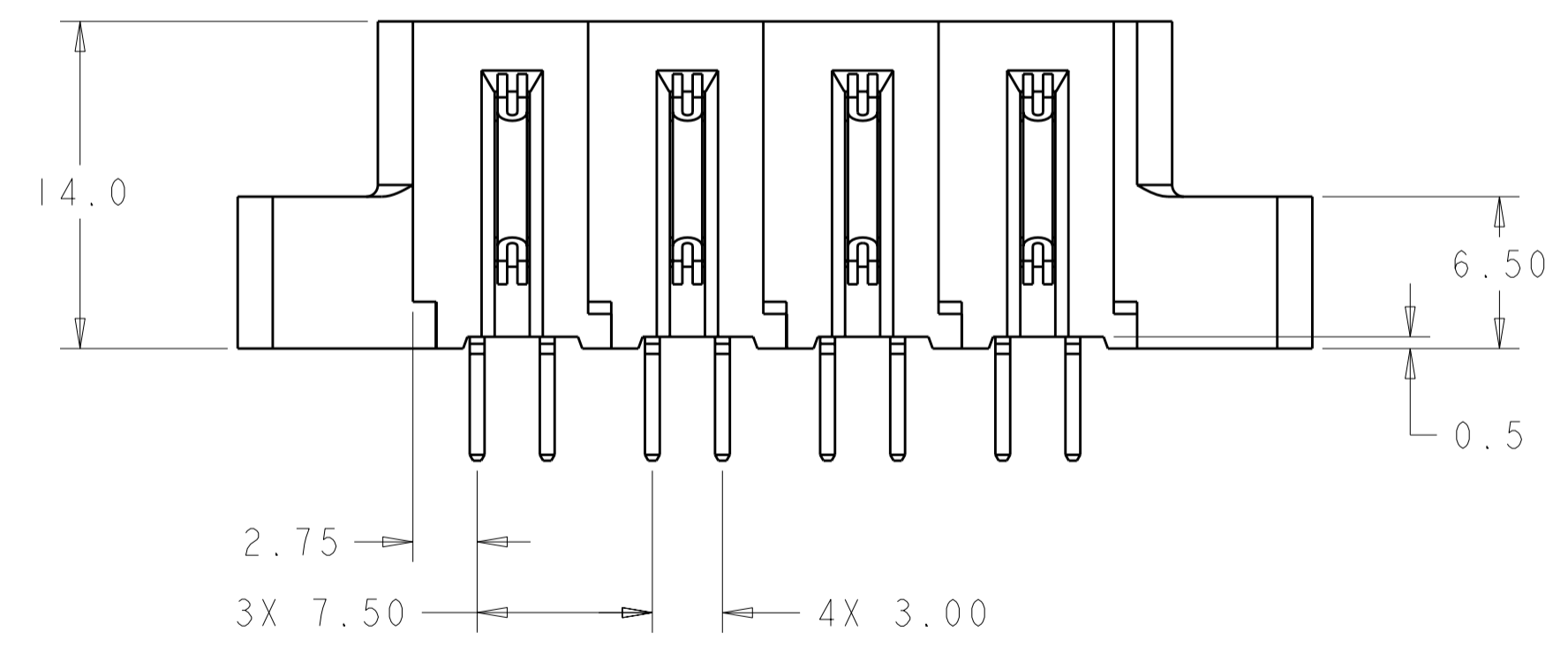
3 FINISH: CONTACTS - GOLD PLATE 0.76µM MIN. THK. OVER
 NICKEL 1.27µM MIN. THK.
 SOLDER TAILS TIN 3.05µM MIN. THK. OVER
 NICKEL 1.27µM MIN THK.

4 ITEMS PROVIDED TO THIS SPECIFICATION TO BE IDENTIFIED ON THE CONTAINER PER THE FOLLOWING IDENTIFIER LABEL

YEAR WEEK
 TYCO ELECTRONICS P/N DATE CODE (e.g. 0106)
XXXXXXXX-X XXXX

5. MATES WITH TYCO ELECTRONICS P/N 6646275-1

6 MOUNTING FLANGE ACCEPTS M3 OR #4-40 SCREWS (USER SUPPLIED).



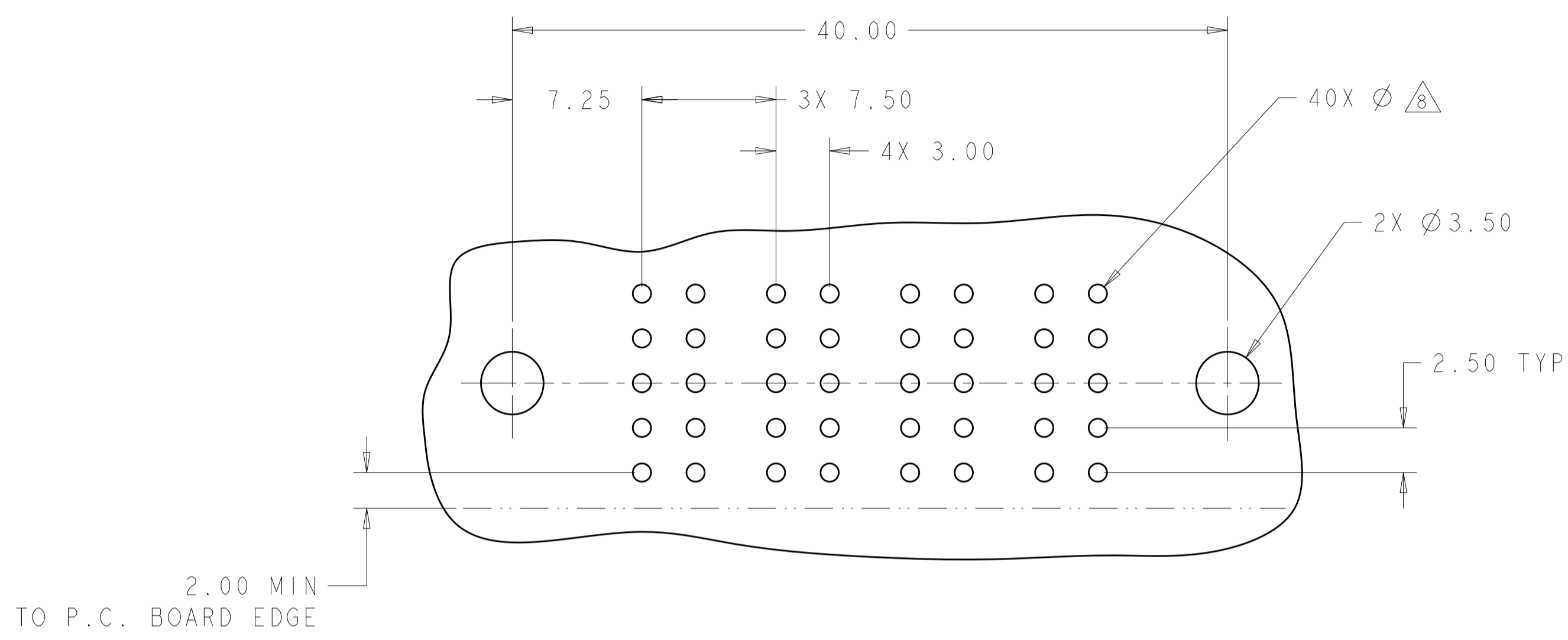
AS SHOWN	6646683-1
DESCRIPTION	PART NUMBER

THIS DRAWING IS A CONTROLLED DOCUMENT FOR TYCO ELECTRONICS CORPORATION IT IS SUBJECT TO CHANGE AND THE CONTROLLING ENGINEERING ORGANIZATION SHOULD BE CONTACTED FOR THE LATEST REVISION.		DWN R.GRZYBOWSKI 15APR108	Tyco Electronics Harrisburg, PA 17105-3608
DIMENSIONS: mm		CHK S.FLICKINGER 15APR108	
TOLERANCES UNLESS OTHERWISE SPECIFIED:		APVD S.FLICKINGER 15APR108	
0 PLC ±- 1 PLC ±0.5 2 PLC ±0.25 3 PLC ±- 4 PLC ±- ANGLES ±3 FINISH		PRODUCT SPEC - APPLICATION SPEC - WEIGHT -	
MATERIAL	2-	3-	NAME P.IN CONNECTOR ASSEMBLY RIGHT ANGLE, SOLDER TAILS FLATPAQ
CUSTOMER DRAWING		SIZE A2	RESTRICTED TO -
SCALE 4:1		CAGE CODE C-6646683	DRAWING NO 6646683
SHEET 1 OF 3		REV A	

ELCON FLATPAQ

THIS DRAWING IS UNPUBLISHED. RELEASED FOR PUBLICATION 20
 © COPYRIGHT 20 BY TYCO ELECTRONICS CORPORATION. ALL RIGHTS RESERVED.

LOC	DIST	REVISIONS					
GP	00	P	LTR	DESCRIPTION	DATE	DWN	APVD
		-		SEE SHEET 1			



PRINTED CIRCUIT LAYOUT
 COMPONENT SIDE

CONNECTOR	CATALOG MODULE #	QTY	SIZE NO.	CONTACT QTY	MATING PIN	MAX. CURRENT (PER CONTACT)	CONTACT SPACING	VOLTAGE RATING
PIN	FPI05	4	8	4	1.25 X 7.00 [.049 X .276]	35 amps	7.50 [.2953]	250
	FP500	1	LEFT MOUNTING FLANGE					
	FP501	1	RIGHT MOUNTING FLANGE					

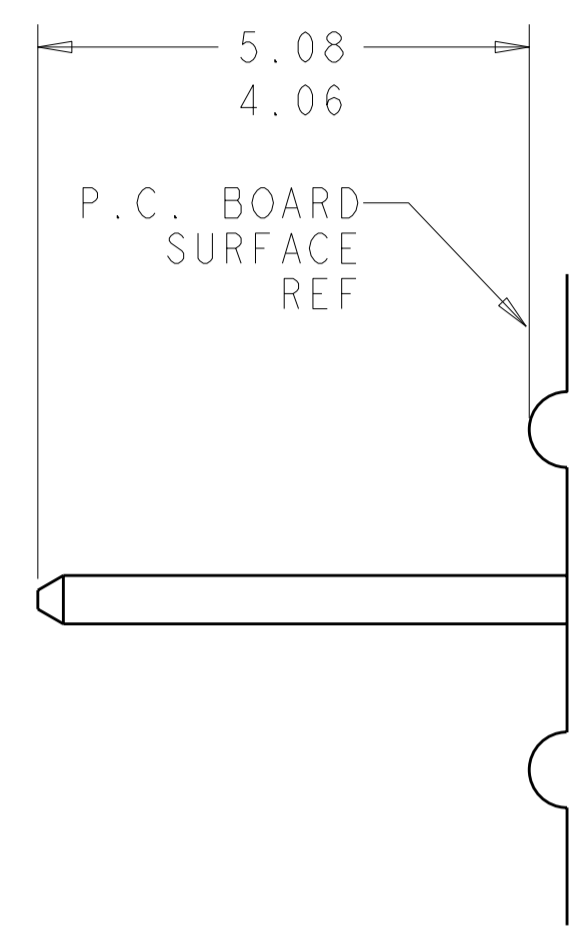
THIS DRAWING IS A CONTROLLED DOCUMENT FOR TYCO ELECTRONICS CORPORATION. IT IS SUBJECT TO CHANGE AND THE CONTROLLING ENGINEERING ORGANIZATION SHOULD BE CONTACTED FOR THE LATEST REVISION.

DWN	R. GRZYBOWSKI	15APR108	Tyco Electronics Harrisburg, PA 17105-3608			
CHK	S. FLICKINGER	15APR108				
APVD	S. FLICKINGER	15APR108				
NAME	PIN CONNECTOR ASSEMBLY RIGHT ANGLE, SOLDER TAILS FLATPAQ					
DIMENSIONS:	mm	TOLERANCES UNLESS OTHERWISE SPECIFIED:	SIZE	CAGE CODE	DRAWING NO.	RESTRICTED TO
		0 PLC ±-	A2	00779	C-6646683	-
		1 PLC ±0.5	SCALE 4:1 SHEET 2 OF 3 REV A			
		2 PLC ±0.25	CUSTOMER DRAWING			
		3 PLC ±-				
		4 PLC ±-				
		ANGLES ±3				
MATERIAL		FINISH				

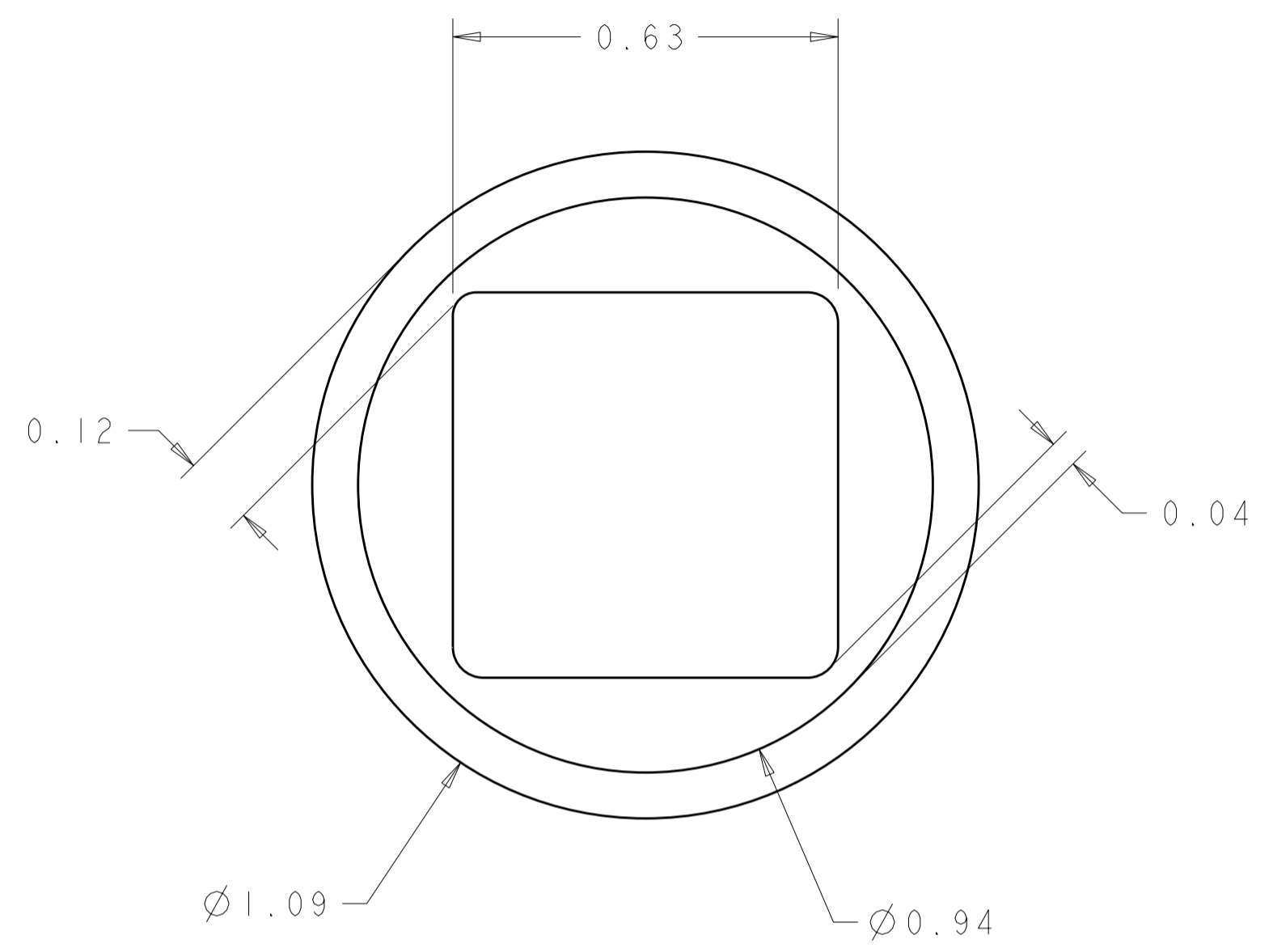
ELCON FLATPAQ

THIS DRAWING IS UNPUBLISHED. RELEASED FOR PUBLICATION 20
 © COPYRIGHT 20 BY TYCO ELECTRONICS CORPORATION. ALL RIGHTS RESERVED.

LOC	DIST	REVISIONS			
P	LTR	DESCRIPTION	DATE	DWN	APVD
GP	00	-	SEE SHEET 1	-	-



7. SOLDER TAIL DETAIL
SCALE 10 : 1



8. SOLDER TERMINATION AREA
SCALE 40:1
 RECOMMENDED PRINTED CIRCUIT SOLDER HOLE
 FINISHED HOLE: Ø1.02 [.040] ±.08 [.003]
 DRILLED HOLE: Ø1.15 [.0453] ±.013 [.0005]
 COPPER PLATE: .025 [.0010] MIN (PER SURFACE)
 TIN PLATE: .008 [.0003] MIN. (PER SURFACE)

ELCON **FLATPAQ**

<small>THIS DRAWING IS A CONTROLLED DOCUMENT FOR TYCO ELECTRONICS CORPORATION IT IS SUBJECT TO CHANGE AND THE CONTROLLING ENGINEERING ORGANIZATION SHOULD BE CONTACTED FOR THE LATEST REVISION.</small>		DWN R. GRZYBOWSKI CHK S. FLICKINGER APVD S. FLICKINGER	15 APRIL 08 15 APRIL 08 15 APRIL 08	Tyco Electronics Harrisburg, PA 17105-3608
DIMENSIONS: mm	TOLERANCES UNLESS OTHERWISE SPECIFIED: 0 PLC ±- 1 PLC ±0.5 2 PLC ±0.25 3 PLC ±- 4 PLC ±- ANGLES ±3 FINISH	PRODUCT SPEC - APPLICATION SPEC - WEIGHT -	NAME PIN CONNECTOR ASSEMBLY RIGHT ANGLE, SOLDER TAILS FLATPAQ	
MATERIAL -		CUSTOMER DRAWING	SIZE A200779	CAGE CODE C-6646683
SCALE 4:1			SHEET 3 OF 3	REV A