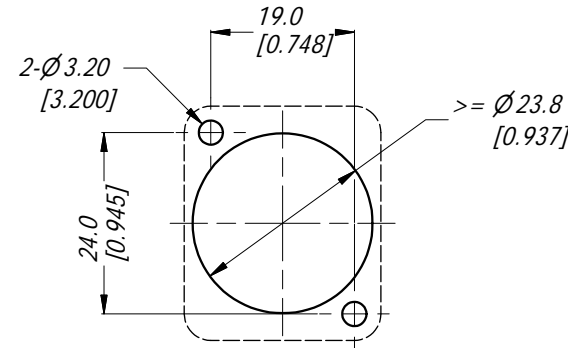
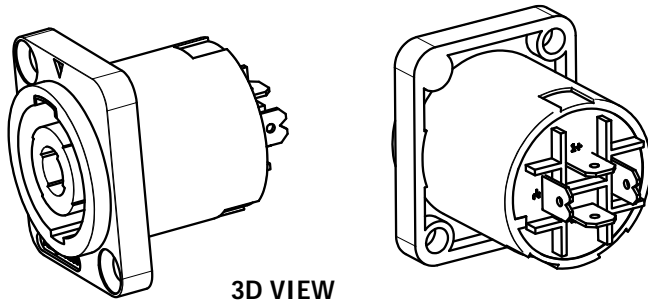
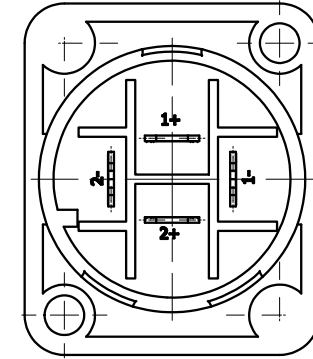
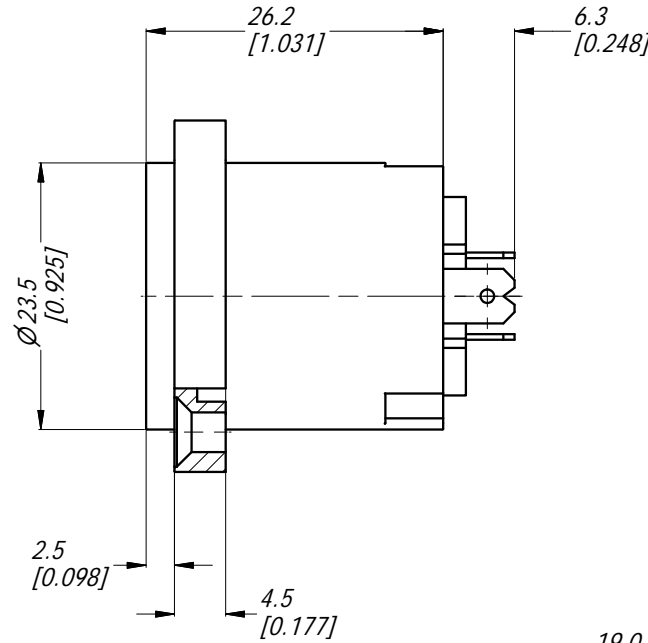
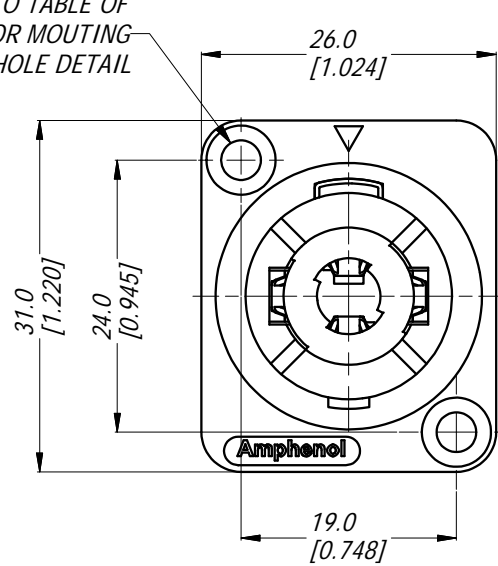


LEGEND = KEY PRODUCT CHARACTERISTICS

REVISION HISTORY				
REV	DESCRIPTION	BY	DATE	ECN
0	FIRST ISSUE	HH	14/02/11	8990
1	ADD PN SP-4-MDT-8	MH	11/09/13	---

REFER TO TABLE OF PART No FOR MOUNTING HOLE DETAIL



PANEL CUTOUT (1 : 1)



PART NUMBER	MOUNTING HOLE (mm)	SHELL COLOUR
SP-4-MD	Ø3.5 THRU HOLES	BLACK
SP-4-MD-8	Ø3.5 THRU HOLES	GREY
SP-4-MDT	Ø2.3 SELF TAPPING HOLES	BLACK
SP-4-MDT-8	Ø2.3 SELF TAPPING HOLES	GREY

UNLESS OTHERWISE SPECIFIED TOLERANCE TO BE	
LINEAR	ANGULAR
X ± 0.5	X' ± 1
X.X ± 0.1	X.X' ± 30'
X.XX ± 0.05	X.XX' ± 15'
BREAK ALL SHARP EDGES AND REMOVE ALL BURRS	
DO NOT SCALE	

THIS DOCUMENT IS THE PROPERTY OF AMPHENOL AUSTRALIA PTY. LTD. NO PART THEREOF MAY BE REPRODUCED AND USED WITHOUT THE PRIOR WRITTEN CONSENT OF THE OWNER			
MATERIAL: REFER TO COMPONENTS	DRN: HH	DATE: 10/02/11	FINISH:
	CKD: MH	DATE: 11/09/13	
	APP'D: PM	DATE: 11/09/13	
DIMENSIONS IN MILLIMETRES	THIRD ANGLE PROJECTION	SCALE: 3:2	SIZE: A4

Amphenol Amphenol Australia Pty.Ltd, 2 Fiveways Blvd, Keysborough, VIC 3173	
TITLE: SP SERIES CONNECTOR LOUDSPEAKER 4 POLE, SOLDER	PART No. REFER TO TABLE
CAD FILE: 55010738000210	DRAWING No. 55010738-000-2 SHEET 2/2