

**92**mm sq.

# San Ace 92WS



## General Specifications

- Material ..... Frame: Plastics (Flammability: UL94V-0),  
Impeller: Plastics (Flammability: UL94V-1)
- Expected Life ..... Refer to specifications (Indoor, L10:Survival rate: 90% at 60°C ,  
rated voltage, and continuously run in a free air state)
- Lead Wire ..... ⊕red ⊖black or blue (Sensor) yellow
- Storage Temperature ..... -30°C to +70°C (Non-condensing)

**92×92×25**mm (Mass : 150g) **IP 54** **9WS** type

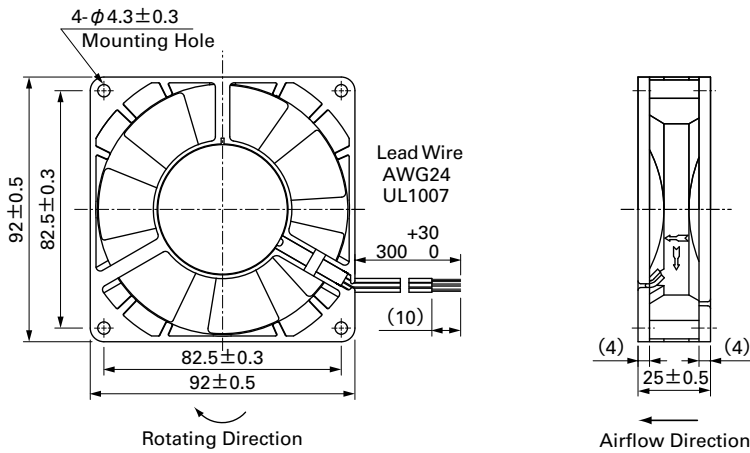
## Specifications

The following nos. have pulse sensors and ribs.

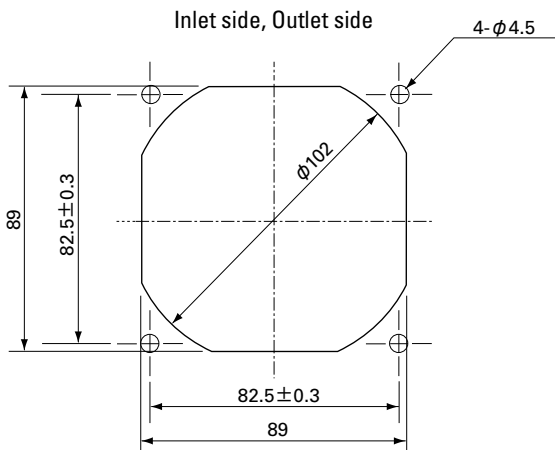
Model No.	Rated Voltage [V]	Operating Voltage Range [V]	Rated Current [A]	Rated Input [W]	Rated Speed [min <sup>-1</sup> ]	Max. Airflow [m <sup>3</sup> /min] [CFM]	Max. Static Pressure [Pa] [inchH <sub>2</sub> O]	SPL [dB(A)]	Operating Temperature [°C]	Expected Life [h]
9WS0912H401	12	10.2 to 13.8	0.17	2.04	2,850	1.38 48.7	45.1 0.181	33	- 20 to + 70	40,000/60°C
9WS0912F401			0.13	1.56	2,450	1.18 41.7	32.3 0.130	30		
9WS0912M401			0.1	1.2	2,100	1.01 35.7	23.5 0.094	27		
9WS0912L401			0.06	0.72	1,700	0.8 28.2	16.7 0.067	23		
9WS0924H401	24	20.4 to 27.6	0.1	2.4	2,850	1.38 48.7	45.1 0.181	33		
9WS0924F401			0.07	1.68	2,450	1.18 41.7	32.3 0.130	30		
9WS0924M401			0.06	1.44	2,100	1.01 35.7	23.5 0.094	27		
9WS0924L401			0.05	1.2	1,700	0.8 28.2	16.7 0.067	23		

Other sensor specifications are available as options. Please refer to the index (p. 513).

## Dimensions (unit: mm)



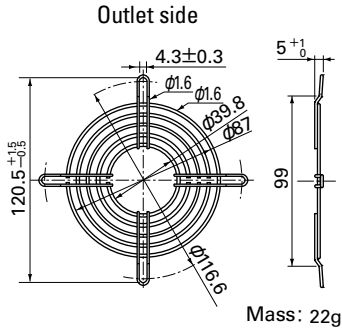
## Reference Dimensions of Mounting Holes and Vent Opening (unit: mm)



**Options (unit: mm)**

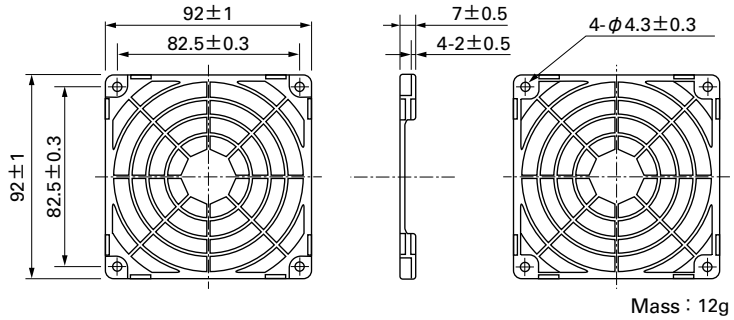
**Finger Guards**

Model : 109-099C Surface treatment : Nickel-chrome plating (silver) Color : Nickel-chrome plating (silver)



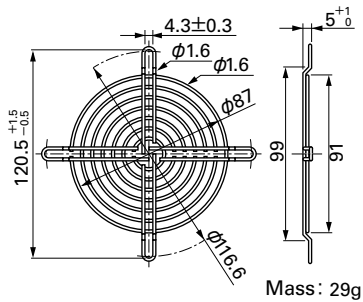
**Resin Finger Guards**

Model : 109-1001G

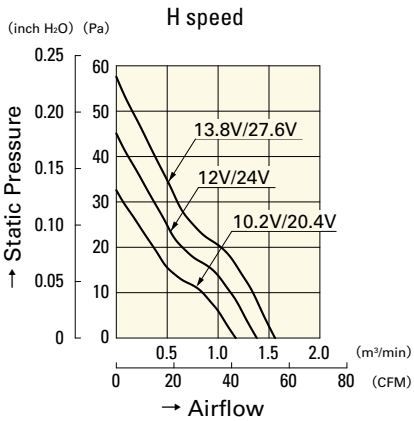


Model : 109-099E Surface treatment : Nickel-chrome plating (silver) Color : Nickel-chrome plating (silver)  
: 109-099H : Cation electropainting (black)

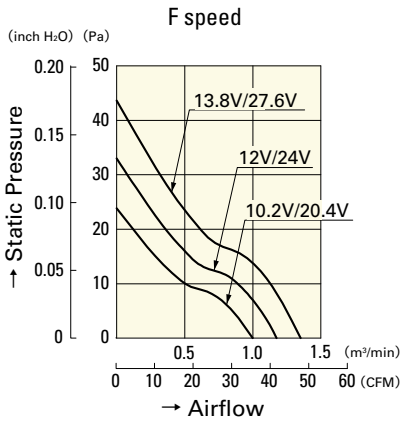
**Inlet side, Outlet side**



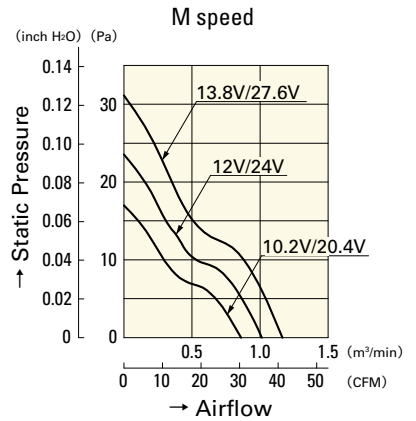
**Airflow - Static Pressure Characteristics**



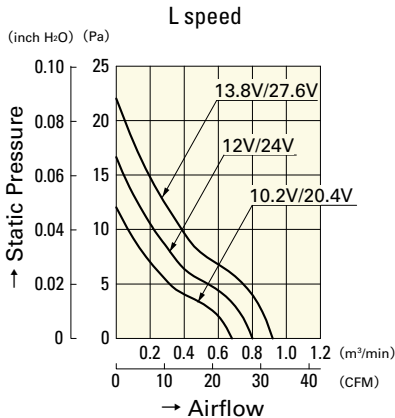
**9WS0912H401**  
**9WS0924H401**



**9WS0912F401**  
**9WS0924F401**



**9WS0912M401**  
**9WS0924M401**



**9WS0912L401**  
**9WS0924L401**