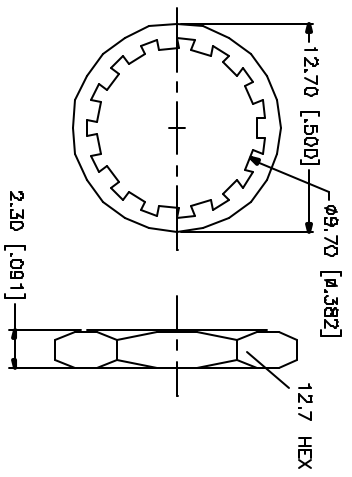
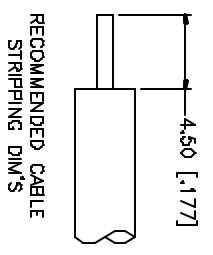
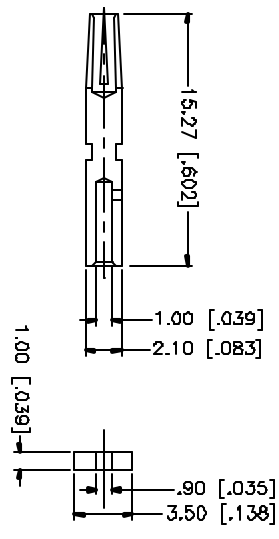
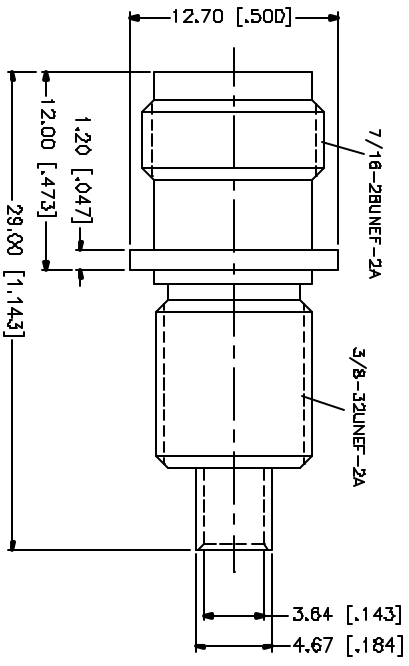
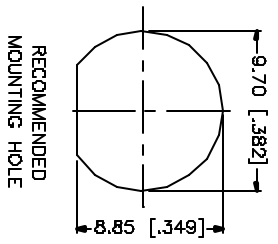


REV.	DATE	DESCRIPTION
A	01/15/04	UPDATE DRAWING FORMAT



QTY	FINISH	MATERIAL	DESCRIPTION
1	NICKEL	BRASS	BODY
1	NATURAL	TEFLON	INSULATOR
1	GOLD	PHOS. BRONZE	CONTACT PIN
1	NICKEL	BRASS	LOCK WASHER
1	NICKEL	BRASS	HEX NUT

APPROVALS	DATE
DRAWN G.R.S.	01/15/04
CHECKED	
ISSUED	
SHEET 1 OF 1	

PART DESCRIPTION	PART NO.
TNC BULKHEAD DIRECT SOLDER JACK FRONT MOUNT .141 SIMI RIGID CABLE	122406

DO NOT SCALE DRAWING	CAD FILE	DWG. NO.	REV.	SIZE	SCALE
	C:/122/122406.DWG	122406.DWG	A	A	NA

Amphenol Connex

UNLESS OTHERWISE SPECIFIED, MATERIALS AND DIMENSIONS ARE TO BE IN MILLIMETERS AND FOR CUSTOMER REFERENCE ONLY. TOLERANCES FOR SELECTED ARE:

Ø.30 - Ø1mm ± 0.20mm
 Ø - Ø1mm ± 0.40mm
 30 - 120mm ± 0.50mm

TOLERANCES FOR ANGLES ARE:
 .020° - .315° ± 0.007°
 .315° - 1.180° ± 0.019°
 1.180° - 4.724° ± 0.020°