

LC05132C01MT



ON Semiconductor®

www.onsemi.com

CMOS LSI

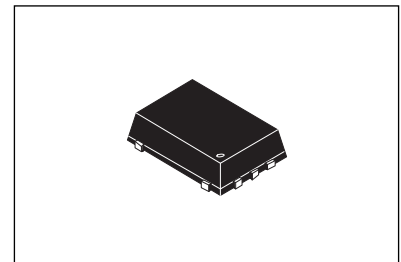
1-Cell Lithium-Ion Battery Protection IC with integrated Power MOS FET

Overview

The LC05132C01MT is a protection IC for 1-cell lithium-ion secondary batteries with integrated power MOS FET. Also it integrates highly accurate detection circuits and detection delay circuits to prevent batteries from over-charging, over-discharging, over-current discharging and over-current charging.

In addition, main system can execute the power-on reset of itself by turning off the charge FET and discharge FET of LC05132C01MT for a certain time period, with a reset signal.

A battery protection system can be made by only LC05132C01MT and few external parts.



WDFN6 2.6x4.0, 0.65P, Dual Flag

Feature

- Charge-and-discharge power MOSFET are integrated at $T_a = 25^\circ\text{C}$, $V_{CC} = 4.5\text{V}$
ON resistance (total of charge and discharge) 11.2m Ω (typ)
- Highly accurate detection voltage/current at $T_a = 25^\circ\text{C}$, $V_{CC} = 3.7\text{V}$

Over-charge detection	$\pm 25\text{mV}$
Over-discharge detection	$\pm 50\text{mV}$
Charge over-current detection	$\pm 0.63\text{A}$
Discharge over-current detection	$\pm 0.63\text{A}$
- Delay time for detection and release (fixed internally)
- Discharge/Charge over-current detection is compensated for temperature dependency of power FET
- 0V battery charging : "Inhibit"
- Auto wake-up function battery charging : "Inhibit"
- Over charge detection voltage : 4.0V to 4.525V (5mV steps)
- Over charge release hysteresis : 0V to 0.3V (100mV steps)
- Over discharge detection voltage : 2.2V to 2.8V (50mV steps)
- Over discharge release hysteresis : 0V to 0.075V (25mV steps)
- Forcible charge-FET and discharge-FET OFF mode
RSTB > VDD*0.8: Charge-FET and Discharge-FET=ON
RSTB < VDD*0.2: Charge-FET and Discharge-FET=OFF

Typical Applications

- Smart phone
- Tablet
- Wearable device

ORDERING INFORMATION

See detailed ordering and shipping information on page 16 of this data sheet.

LC05132C01MT

Specifications

Absolute Maximum Ratings at Ta = 25°C

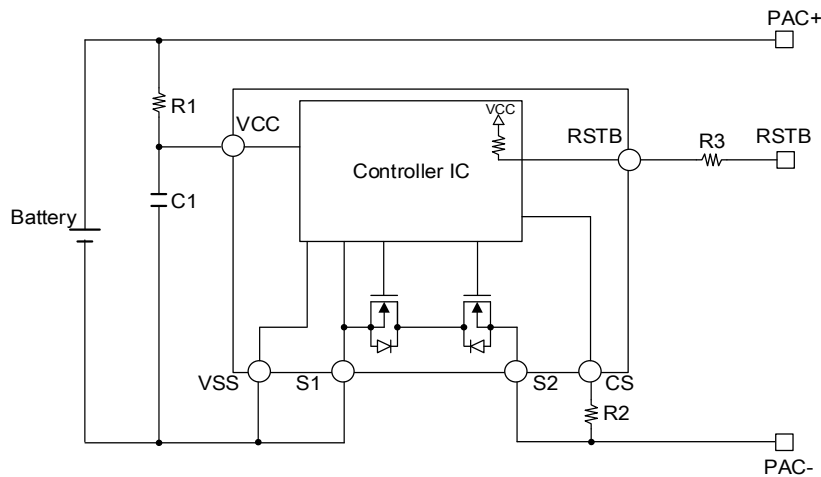
Parameter	Symbol	Conditions	Ratings	Unit
Supply voltage	VCC	Between PAC+ and VCC : R1=680Ω	-0.3 to 12.0	V
S1 - S2 voltage	VS1-S2		24.0	V
CS terminal Input voltage	CS		VCC-24.0 to VCC+0.3	V
Charge or discharge current	BAT-, PAC-		10.0	A
RSTB Input voltage	RSTB		-0.3 to 7	V
Storage temperature	Tstg		-55 to +125	°C
Current between S1 and S2(DC)	ID	VCC = 3.7V	10.0	A
Current between S1 and S2 (continuous pulse)	IDP	Pulse Width<10us, duty cycle<1%	35	A
Operating ambient temperature	Topr		-40 to +100	°C
Allowable power dissipation	Pd	Glass epoxy four-layer board Board size L=38.7mm W=4.4mm H=1.6mm	450	mW
Junction temperature	Tj		125	°C

Caution 1) Absolute maximum ratings represent the values which cannot be exceeded at any given time.

Caution 2) If you intend to use this IC continuously under high temperature, high current, high voltage, or drastic temperature change, even if it is used within the range of absolute maximum ratings or operating conditions, there is a possibility of decrease reliability. Please contact us for confirmation.

Stresses exceeding those listed in the Maximum Ratings table may damage the device. If any of these limits are exceeded, device functionality should not be assumed, damage may occur and reliability may be affected.

Example of Application Circuit



Components	Recommended value	MAX	unit	Description
R1	680	1k	Ω	
R2	1k	2k	Ω	
R3	1k	2k	Ω	
C1	1.0μ	-	F	

* We don't guarantee the characteristics of the circuit shown above.

LC05132C01MT

Electrical Characteristics

Parameter	Symbol	Conditions	MIN.	TYP.	MAX.	Unit	
Detection voltage							
Over-charge detection voltage	Vov	R1=680Ω	Ta=25°C	4.45	4.475	4.5	V
			Ta=-30 to 70°C	4.445	4.475	4.505	
Over-charge release voltage	Vovr	R1=680Ω	Ta=25°C	4.435	4.475	4.5	V
			Ta=-30 to 70°C	4.405	4.475	4.505	
Over-discharge detection voltage	Vuv	R1=680Ω	Ta=25°C	2.150	2.200	2.250	V
			Ta=-30 to 70°C	2.120	2.200	2.280	
Over-discharge release voltage	Vuvr	R1=680Ω CS=0V	Ta=25°C	2.150	2.200	2.300	V
			Ta=-30 to 70°C	2.120	2.200	2.320	
Discharge over-current detection current	loc	R2=1kΩ	Ta=25°C VCC=3.7V	5.67	6.3	6.93	A
			Ta=-20 to 60°C VCC=2.6 to 4.3V	5.29	6.3	7.31	
			Ta=-30 to 70°C VCC=2.6 to 4.3V	5.22	6.3	7.38	
Discharge over-current release current	locr1	R2=1kΩ	Ta=25°C VCC=3.7V	5.66	6.3	6.92	A
			Ta=-20 to 60°C VCC=2.6 to 4.3V	5.28	6.3	7.30	
			Ta=-30 to 70°C VCC=2.6 to 4.3V	5.21	6.3	7.37	
Discharge over-current detection currnt2 (Short circuit)	loc2	R2=1kΩ	Ta=25°C VCC=3.7V	14.8	17.5	21	A
			Ta=-30 to 70°C VCC=2.6 to 4.3V	10.4	17.5	30	
Charge over-current detection current	loch	R2=1kΩ	Ta=25°C VCC=3.7V	4.57	5.2	5.83	A
			Ta=-20 to 60°C VCC=2.6 to 4.3V	4.35	5.2	6.21	
			Ta=-30 to 90°C VCC=2.6 to 4.3V	4.2	5.2	6.28	
Charge over-current release current	lochr	R2=1kΩ	Ta=25°C VCC=3.7V	4.56	5.2	5.82	A
			Ta=-20 to 60°C VCC=2.6 to 4.3V	4.34	5.2	6.20	
			Ta=-30 to 90°C VCC=2.6 to 4.3V	4.19	5.2	6.27	
Reset terminal							
High-Level Input Voltage	VIH		Ta=-30 to 90°C	0.9*VCC		V	
Low-Level Input Voltage	VIL		Ta=-30 to 90°C		0.1*VCC	V	
High-Level Input Leakage Current	IIH	VCC=RSTB	Ta=-30 to 90°C		1	μA	
Low-Level Input Leakage Current	IIL	VCC=3.7V RSTB=0V	Ta=-30 to 90°C	20	34	48	μA
Reset pulse width	Tw_res	VCC=2.2 to 4.3V	Ta=-30 to 90°C	10	20	30	ms
Input voltage							
0V battery charging inhibition battery voltage	Vinh		Ta=25°C	0.4	0.9	1.4	V
Current consumption							
Operating current	Icc	At normal state	Ta=25°C VCC=3.7V		3	6	μA
Shut down current	Ishut	At shut down state	Ta=25°C VCC=2.0V			0.1	μA

Continued on next page.

LC05132C01MT

Continued from preceding page.

Parameter	Symbol	Conditions	MIN.	TYP.	MAX.	Unit	
Resistance							
ON resistance 1 of integrated power MOS FET	Ron1	VCC=3.1V I=±2.0A	Ta=25°C	10.4	13	18.2	mΩ
ON resistance 2 of integrated power MOS FET	Ron2	VCC=3.7V I=±2.0A	Ta=25°C	9.6	12	15.6	mΩ
ON resistance 3 of integrated power MOS FET	Ron3	VCC=4.0V I=±2.0A	Ta=25°C	9.2	11.6	15	mΩ
ON resistance 4 of integrated power MOS FET	Ron4	VCC=4.5V I=±2.0A	Ta=25°C	8.8	11.2	14	mΩ
Internal resistance (VCC-CS)	Rcsu	VCC=Vuv_set CS=0V	Ta=25°C		300		kΩ
Internal resistance (VSS-CS)	Rcsd	VCC=3.7V CS=0.1V	Ta=25°C		15		kΩ

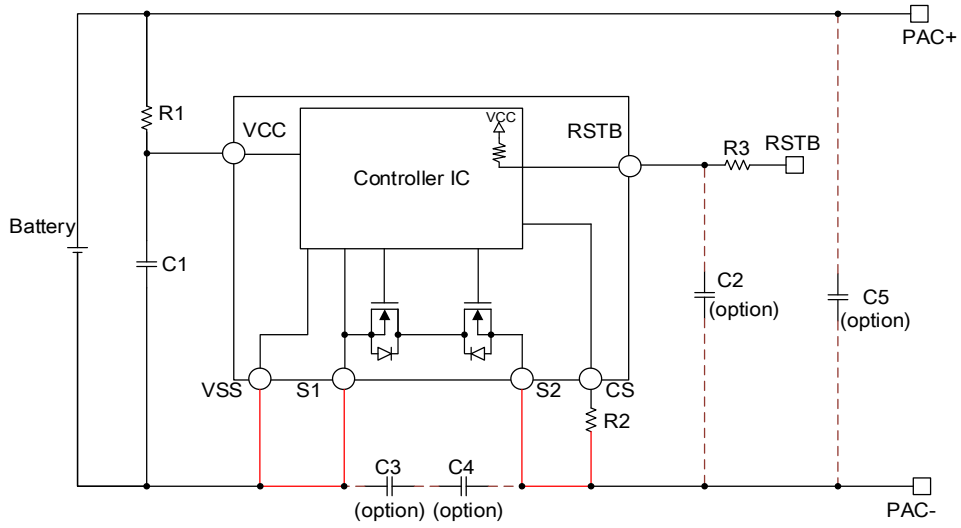
Detection and Release delay time

Over-charge detection delay time	Tov		Ta=25°C	0.8	1	1.2	sec
			Ta=-30 to 70°C	0.6	1	1.5	
Over-charge release delay time	Tovr		Ta=25°C	12.8	16	19.2	ms
			Ta=-30 to 70°C	9.6	16	24	
Over-discharge detection delay time	Tuv		Ta=25°C	14	20	26	ms
			Ta=-30 to 70°C	12	20	30	
Over-discharge release delay time	Tuvr		Ta=25°C	0.9	1.1	1.3	ms
			Ta=-30 to 70°C	0.6	1.1	1.5	
Discharge over-current detection delay time 1	Toc1	VCC=3.7V	Ta=25°C	9.6	12	14.4	ms
			Ta=-30 to 70°C	7.2	12	18	
Discharge over-current release delay time 1	Tocr1	VCC=3.7V	Ta=25°C	3.2	4	4.8	ms
			Ta=-30 to 70°C	2.4	4	6	
Discharge over-current detection delay time 2 (Short circuit)	Toc2	VCC=3.7V	Ta=25°C	130	200	320	us
			Ta=-30 to 70°C	100	200	350	
Charge Over-current detection delay time	Toch	VCC=3.7V	Ta=25°C	12.8	16	19.2	ms
			Ta=-30 to 90°C	9.6	16	24	
Charge Over-current release delay time	Tochr	VCC=3.7V	Ta=25°C	3.2	4	4.8	ms
			Ta=-30 to 90°C	2.4	4	6	
Reset release time	Tres	VCC=3.7V	Ta=25°C	4	5	6	s
			Ta=-30 to 70°C	3	5	7.5	

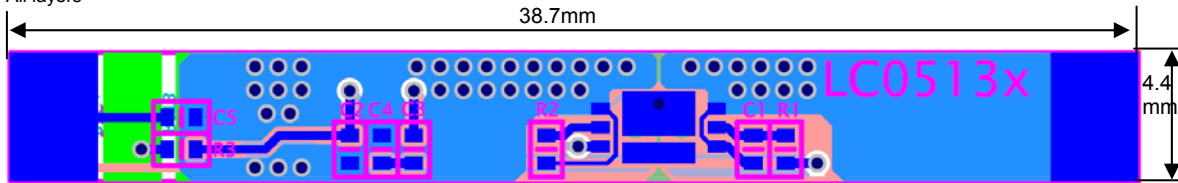
Product parametric performance is indicated in the Electrical Characteristics for the listed test conditions, unless otherwise noted. Product performance may not be indicated by the Electrical Characteristics if operated under different conditions.

Recommended board layout

Board schematic



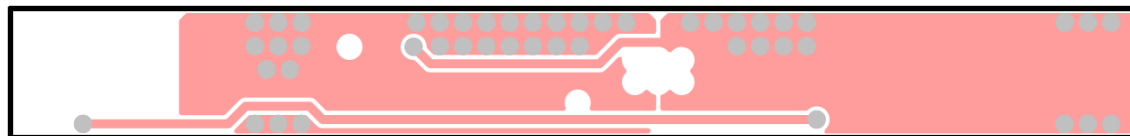
Board size L=38.7mm W=4.4mm H=1.6mm glass-epoxy 4layers
All layers



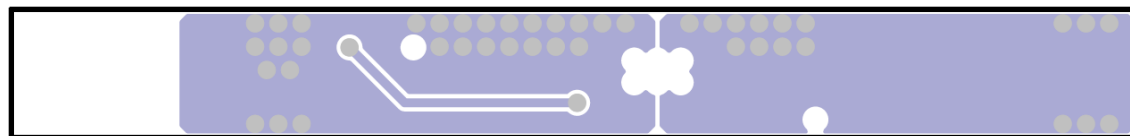
Top layer



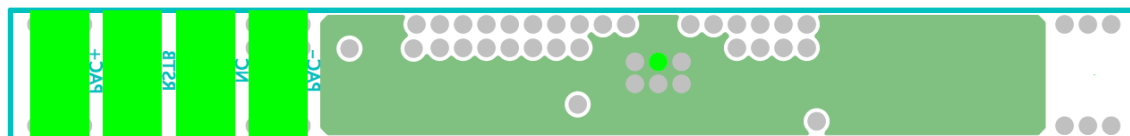
2nd layer



3rd layer



Bottom layer

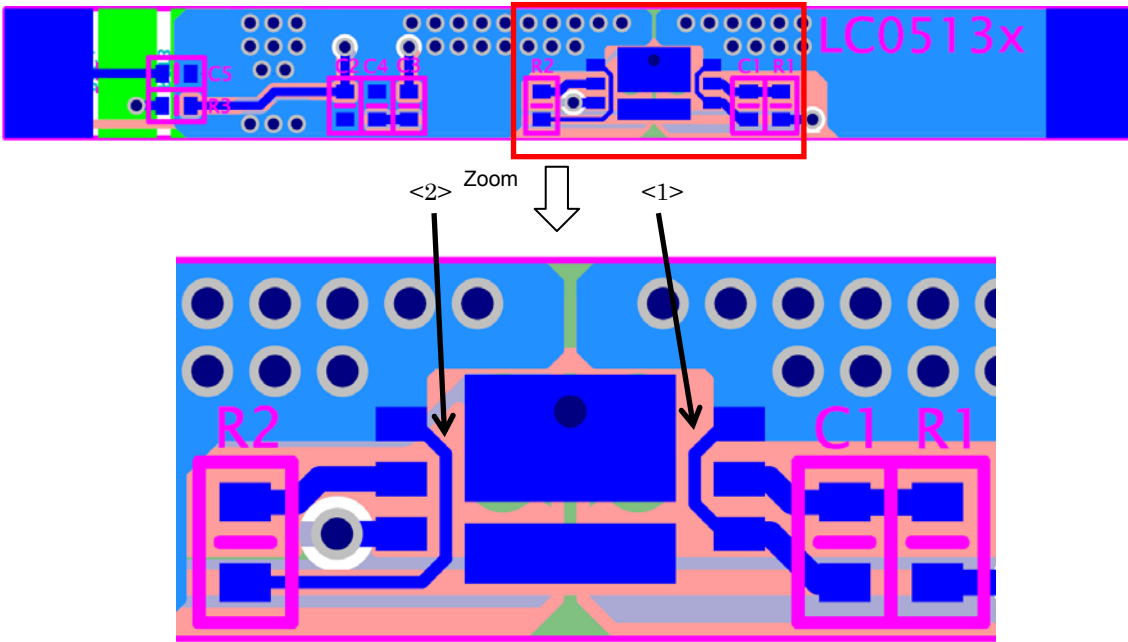


LC05132C01MT

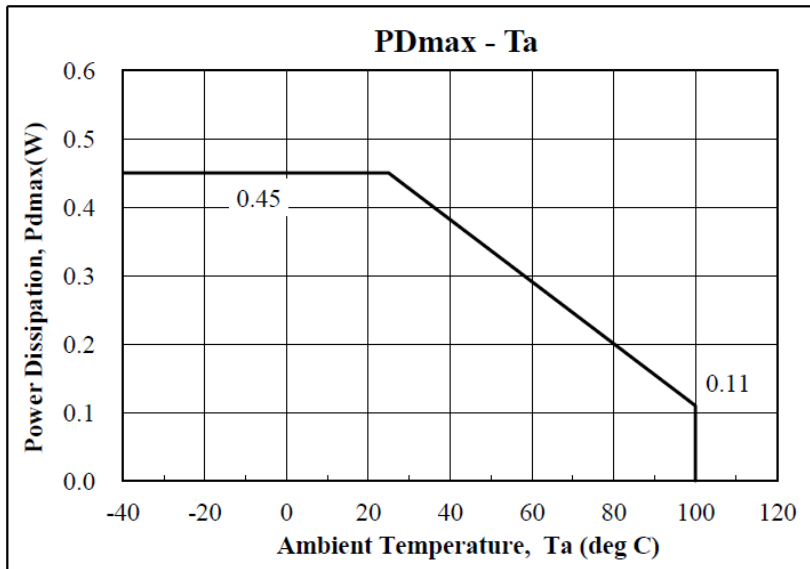
Note

- <1> Please connect the VSS line to a pin of S1 directly.
- <2> Please connect the resistance of R2 to a pin of S2 directly.

It can perform the detection of the overcurrent exactly by performing these.
It can get rid of influence of the wiring impedance caused by a severe electric current flowing through S1 and S2.
Red line of schematic is very important line.



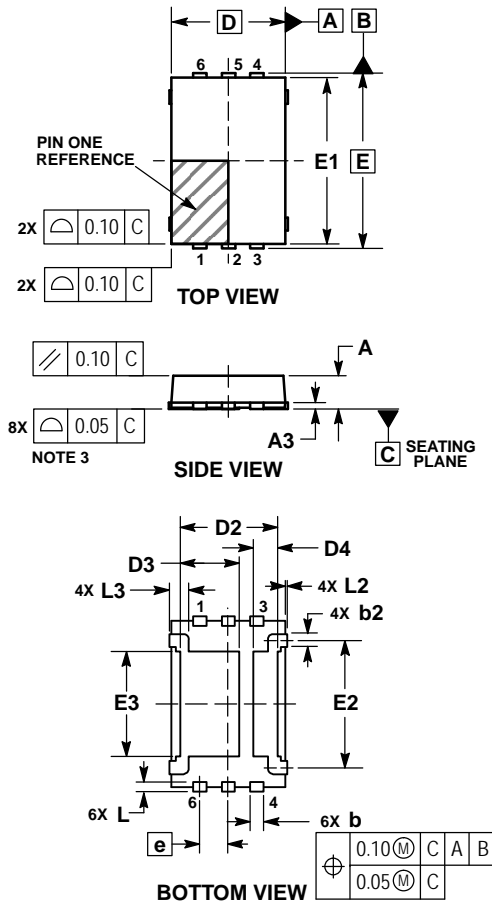
Pdmax-Ta graph



Package Dimensions

unit : mm

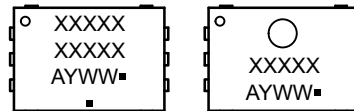
WDFN6 2.6x4.0, 0.65P, Dual Flag
CASE 511BZ
ISSUE B



- NOTES:
 1. DIMENSIONING AND TOLERANCING PER ASME Y14.5M, 1994.
 2. CONTROLLING DIMENSION: MILLIMETERS.
 3. PROFILE TOLERANCE APPLIES TO THE EXPOSED PADS AS WELL AS THE LEADS.

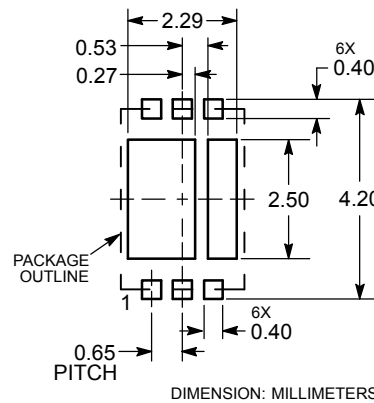
MILLIMETERS		
DIM	MIN	MAX
A	---	0.80
A3	0.10	0.25
b	0.25	0.40
b2	0.15	0.30
D	2.60 BSC	
D2	2.075	2.375
D3	1.20	1.50
D4	0.40	0.70
E	4.00 BSC	
E1	3.80 REF	
E2	2.95	3.05
E3	2.25	2.55
e	0.65 BSC	
L	0.12	0.32
L2	---	0.10
L3	---	0.55

GENERIC MARKING DIAGRAM*



XXXXX = Specific Device Code
 A = Assembly Location
 Y = Year
 WW = Work Week
 ■ = Pb-Free Package
 (Note: Microdot may be in either location)
 *This information is generic. Please refer to device data sheet for actual part marking.

RECOMMENDED SOLDERING FOOTPRINT*

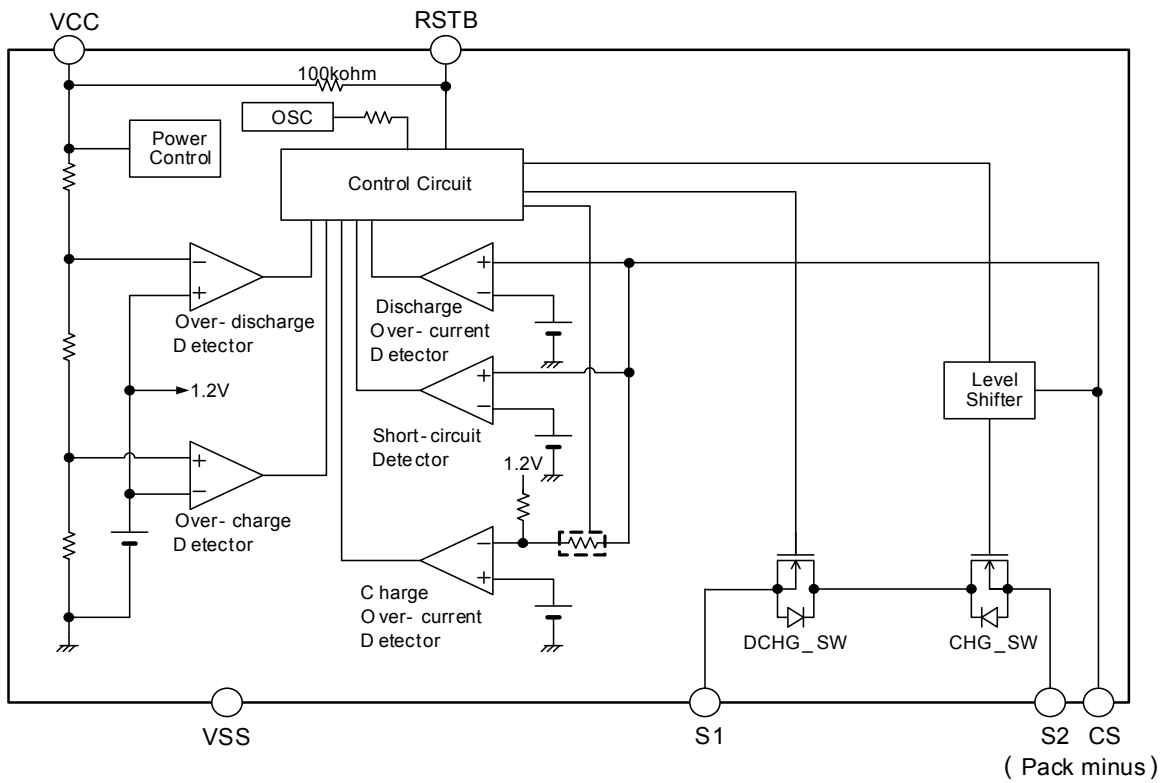


*For additional information on our Pb-Free strategy and soldering details, please download the ON Semiconductor Soldering and Mounting Techniques Reference Manual, SOLDERRM/D.

Pin Functions

Pin No.	Symbol	Pin Function	Description
1	S2	Charger minus voltage input pin	
2	CS	Charger minus voltage input pin	
3	RSTB	Charge and discharge off control terminal ("L" = Reset)	Connected to VCC with 100kΩ
4	VSS	Negative power input	
5	VCC	VCC terminal	
6	S1	Negative power input	
7	Drain	Drain of FET	Exposed pad (wide)
8	Sub	IC Sub (VSS)	Exposed pad

Block Diagram



Description of operation

(1) Normal mode

- LC05132C01MT controls charging and discharging by detecting cell voltage (VCC) and controls S2-S1 current. In case that cell voltage is between over-discharge detection voltage (Vuv) and over-charge detection voltage (Vov), and S2-S1 current is between charge over-current detection current (Ioch) and discharge over-current detection current (Ioc), internal power MOS FETs as CHG_SW, DCHG_SW are both turned ON. This is the normal mode, and it is possible to be charged and discharged.

(2) Over-charging mode

- Internal power MOS FET CHG_SW turns off if cell voltage becomes greater than or equal to over-charge detection voltage (Vov) over the delay time of over-charging (Tov). This is the over-charging detection mode.
- The recovery from over-charging will be made after the following two conditions are satisfied.
 1. Charger is removed from IC.
 2. Cell voltage decreases under over-charge release voltage (Vovr) over the delay time of over-charging releasing (Tovr) due to discharging through a load.

Consequently, internal power MOS FET as CHG_SW will be turned on and normal mode will be resumed.

- In over-charging mode, discharging over-current detection is made only when CS pin increases more than discharging over-current detection current 2 (Ioc2), because discharge current flows through parasitic diode of CHG_SW FET. If CS pin voltage increases more than discharging over-current detection current 2 (Ioc2) over the delay time of discharging over-current 2 (Toc2), discharging will be shut off, because internal power FETs as DCHG_SW is turned off. (short-circuit detection mode)
After detecting short-circuit, CS pin will be pulled down to Vss by internal resistor Rcsd.

The recovery from short circuit detection in over-charging mode will be made after the following two conditions are satisfied.

1. Load is removed from IC.
2. CS pin voltage becomes less than or equal to discharging over-current detection current 2 (Ioc2) due to CS pin pulled down through Rcsd.

Consequently, internal power MOS FET as DCHG_SW will be turned on, and over-charging detection mode will be resumed.

(3) Over-discharging mode

- If cell voltage drops lower than over-discharge detection voltage (Vuv) over the delay time of over-discharging (Tuv), discharging will be shut off, internal power FETs as DCHG_SW is turned off. This is the over-discharging mode.
After detecting over-discharging, CS pin will be pulled up to Vcc by an internal resistor Rcsu and the bias of internal circuits will be shut off. (Shut-down mode)
In shut-down mode, operating current is suppressed under 0.1uA (max).
- The recovery from stand-by mode will be made by internal circuits biased after the connecting charger.
- By continuing to be charged, if cell voltage increases more than over-discharge detection voltage (Vuvr) over the delay time of over-discharging (Tuvr), internal power MOS FETs as DCHG_SW is turned on and normal mode will be resumed.
- In over-discharge detection mode, charging over-current detection does not operate.
By continuing to be charged, charging over-current detection starts to operate after cell voltage goes up more than over-discharge release voltage (Vuvr).

(4) Discharging over-current detection mode 1

- Internal power MOS FET as DCHG_SW will be turned off and discharging current will be shut off if CS pin voltage becomes greater than or equal to discharging over-current detection current (Ioc) over the delay time of discharging over-current (Toc1). This is the discharging over-current detection mode 1.
In discharging over-current detection mode 1, CS pin will be pulled down to Vss with internal resistor Rcsd.

- The recovery from discharging over-current detection mode will be made after the following two conditions are satisfied.
 1. Load is removed from IC.
 2. CS pin voltage becomes less than or equal to discharging over-current release current (I_{ocr}) over the delay time of discharging over-current release (T_{ocr1}) due to CS pin pulled down through R_{csd} .

Consequently, internal power MOS FET as DCHG_SW will be turned on, and normal mode will be resumed.

(5) Discharging over-current detection mode 2 (short circuit detection)

- Internal power MOS FET as DCHG_SW will be turned off and discharging current will be shut off if CS pin voltage becomes greater than or equal to discharging over-current detection current2 (I_{oc2}) over the delay time of discharging over-current 2 (T_{oc2}).
This is the short circuit detection mode.

- In short circuit detection mode, CS pin will be pulled down to V_{ss} by internal resistor R_{csd} .
The recovery from short circuit detection mode will be made after the following two conditions are satisfied.
 - a. Load is removed from IC.
 - b. CS pin voltage becomes less than or equal to discharging over-current release current (I_{ocr}) over the delay time of discharging over-current release (T_{ocr1}) due to CS pin pulled down through R_{csd} .

Consequently, internal power MOS FET as DCHG_SW will be turned on, and normal mode will be resumed.

(6) Charging over-current detection mode

- Internal power MOS FET as CHG_SW will be turned off and charging current will be shut off if CS pin voltage becomes less than or equal to charging over-current detection current (I_{och}) over the delay time of charging over-current (T_{och}).
This is the charging over-current detection mode.

- The recoveries from charging over-current detection mode will be made after the following two conditions are satisfied.
 1. Charger is removed from IC and CS pin will increase by load connection.
 2. CS pin voltage becomes greater than or equal to charging over-current release current (I_{ochr}) over the delay time of charging over-current release (T_{ochr}).

Consequently, internal power MOS FET as CHG_SW will be turned on, and normal mode will be resumed.

*Internal current flows out through CS and S2 terminals.

After charger is removed, it flows through parasitic diode of CHG_SW FET.

Therefore, CS pin voltage will go up more than charging over-current release current (I_{ochr}).

So CS pin voltage is not an indispensable condition for recovery from charging over-current detection.

(7) 0V Battery Protection Function

This function protects the battery when a short circuit in the battery (0V battery) is detected, at which point charging will be prohibited.

When the voltage of a battery is below 1.4V (max), the gate of the charging control FET is fixed to the PAC-Terminal voltage, at which point charging will be prohibited.

If the voltage of the battery is greater than the 0V battery prohibit voltage (V_{inh}), charging will be enabled.

(8) Reset mode

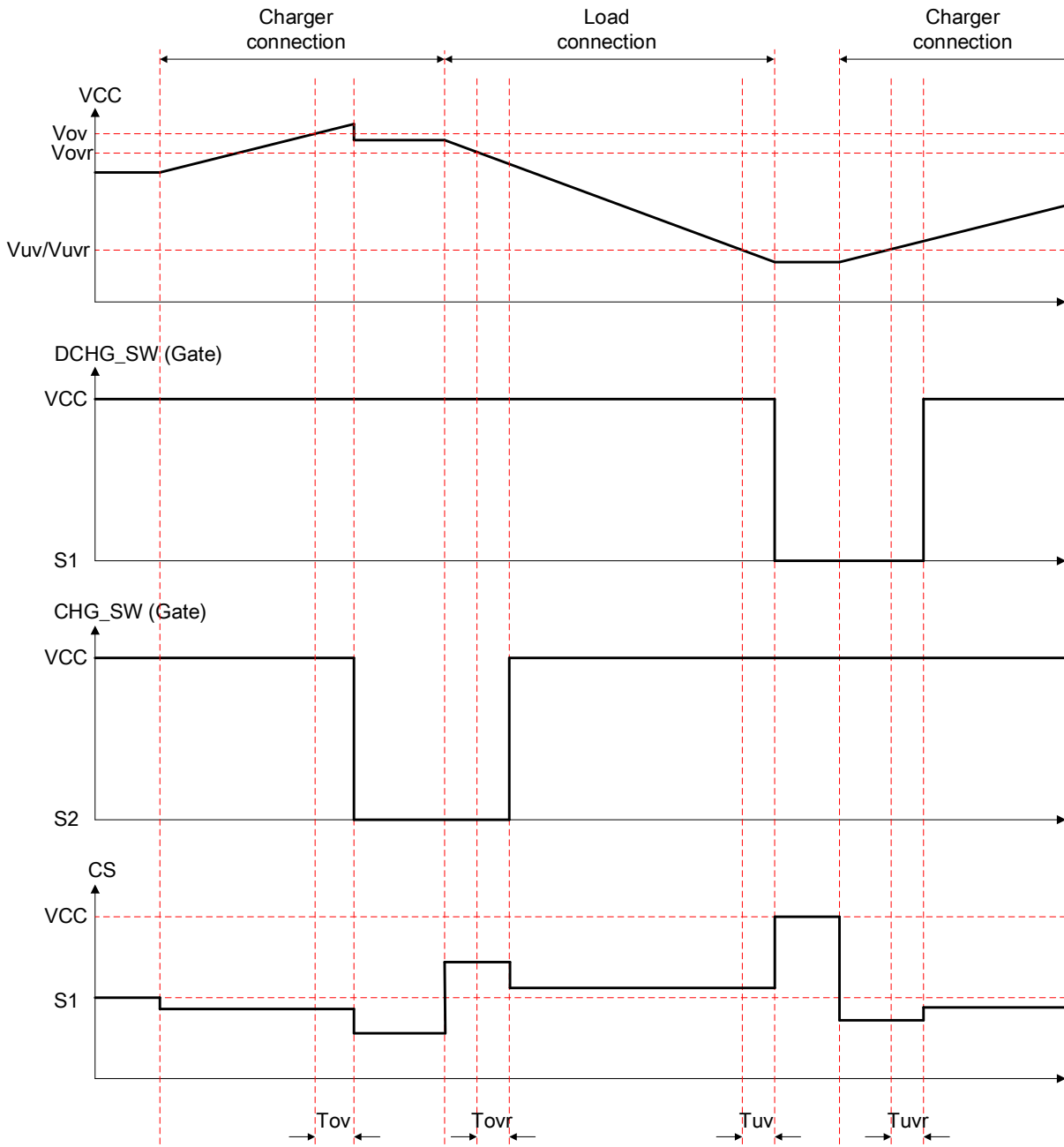
- In case of normal mode, internal power MOS FET as CHG_SW and DCHG_SW will be turned off and charging and discharging current will be shut off if RSTB pin voltage becomes less than or equal to low-level input voltage (VIL) over the delay time of reset pulse width (T_{w_res}).
This is the reset mode.

- The recovery from reset mode will be made itself after the reset release time (T_{res}).

Consequently, internal power MOS FET as CHG_SW and DCHG_SW will be turned on, and normal mode will be resumed.

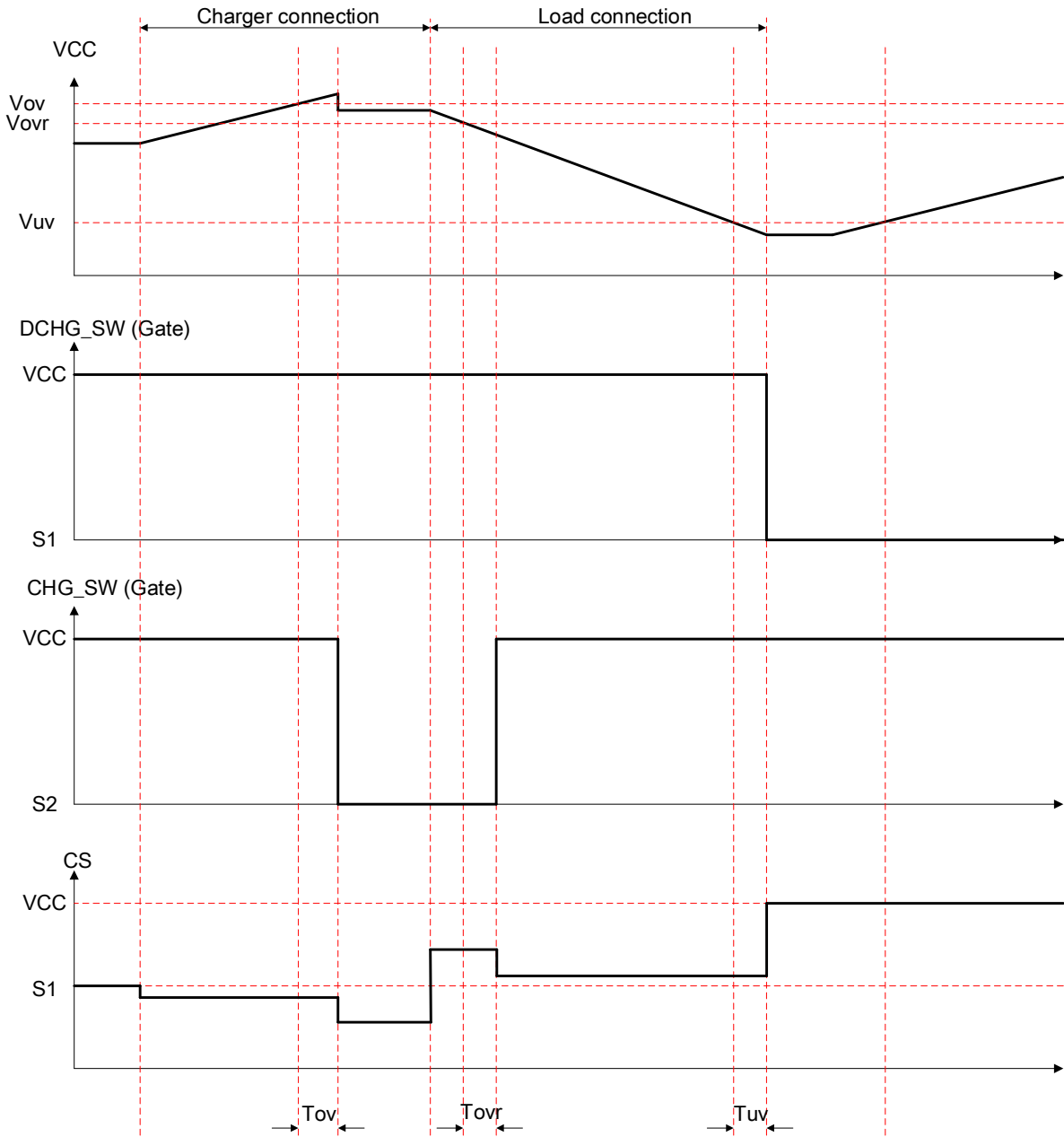
Timing Chart

Over-charge detection/release, Over-discharge detection/release (Connect charger)

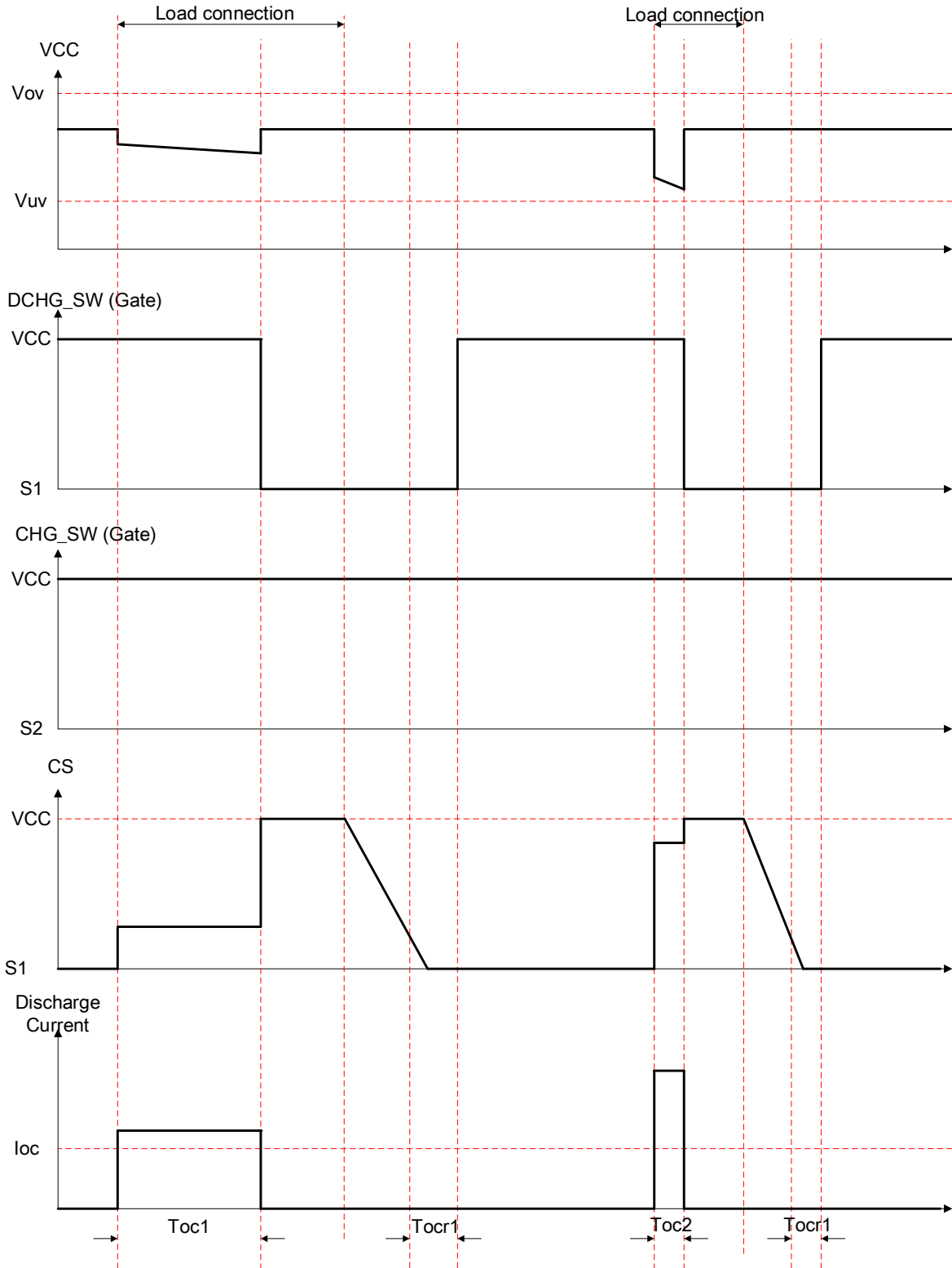


LC05132C01MT

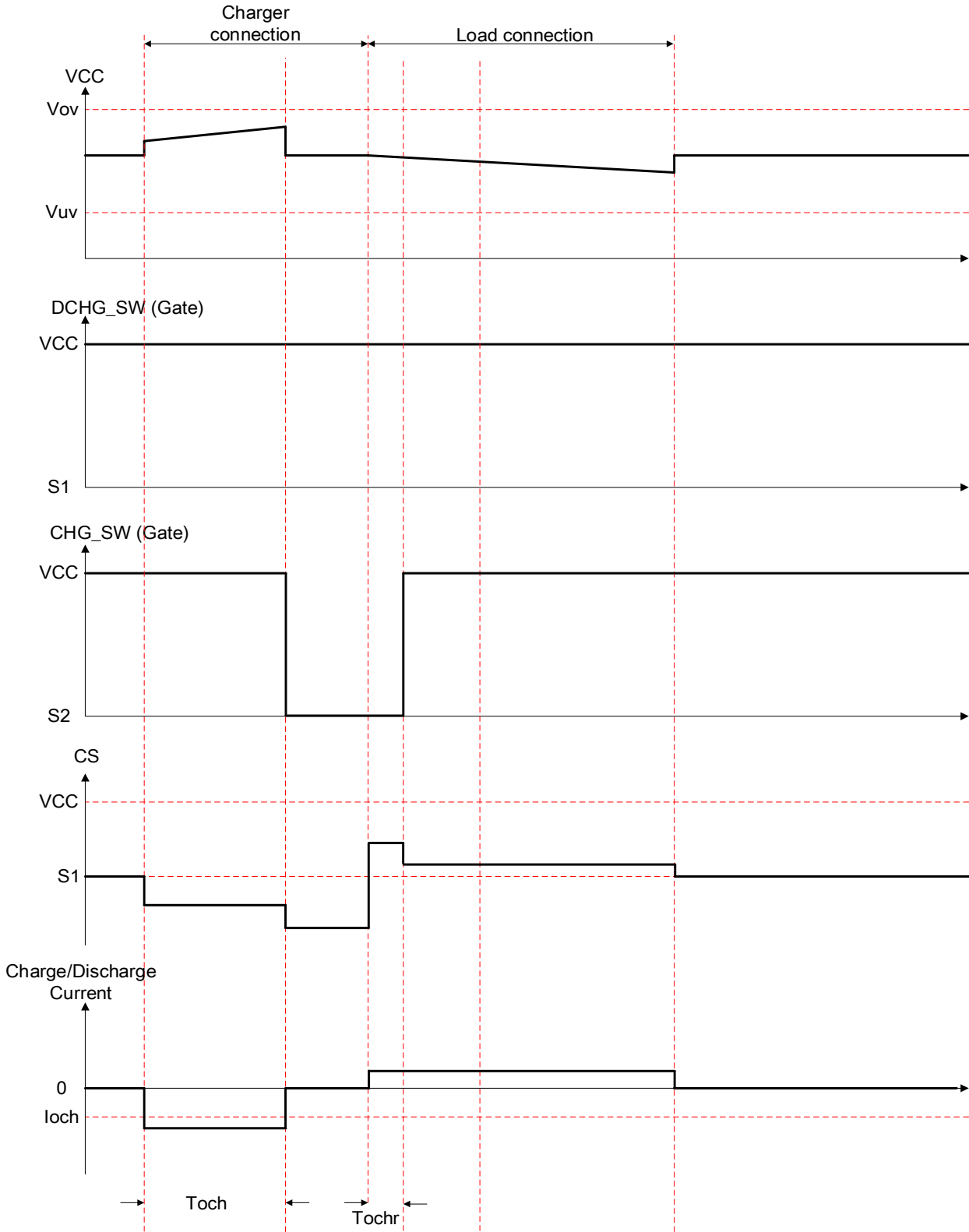
Over-charge detection/release, Over-discharge detection/release (Non-connect charger)



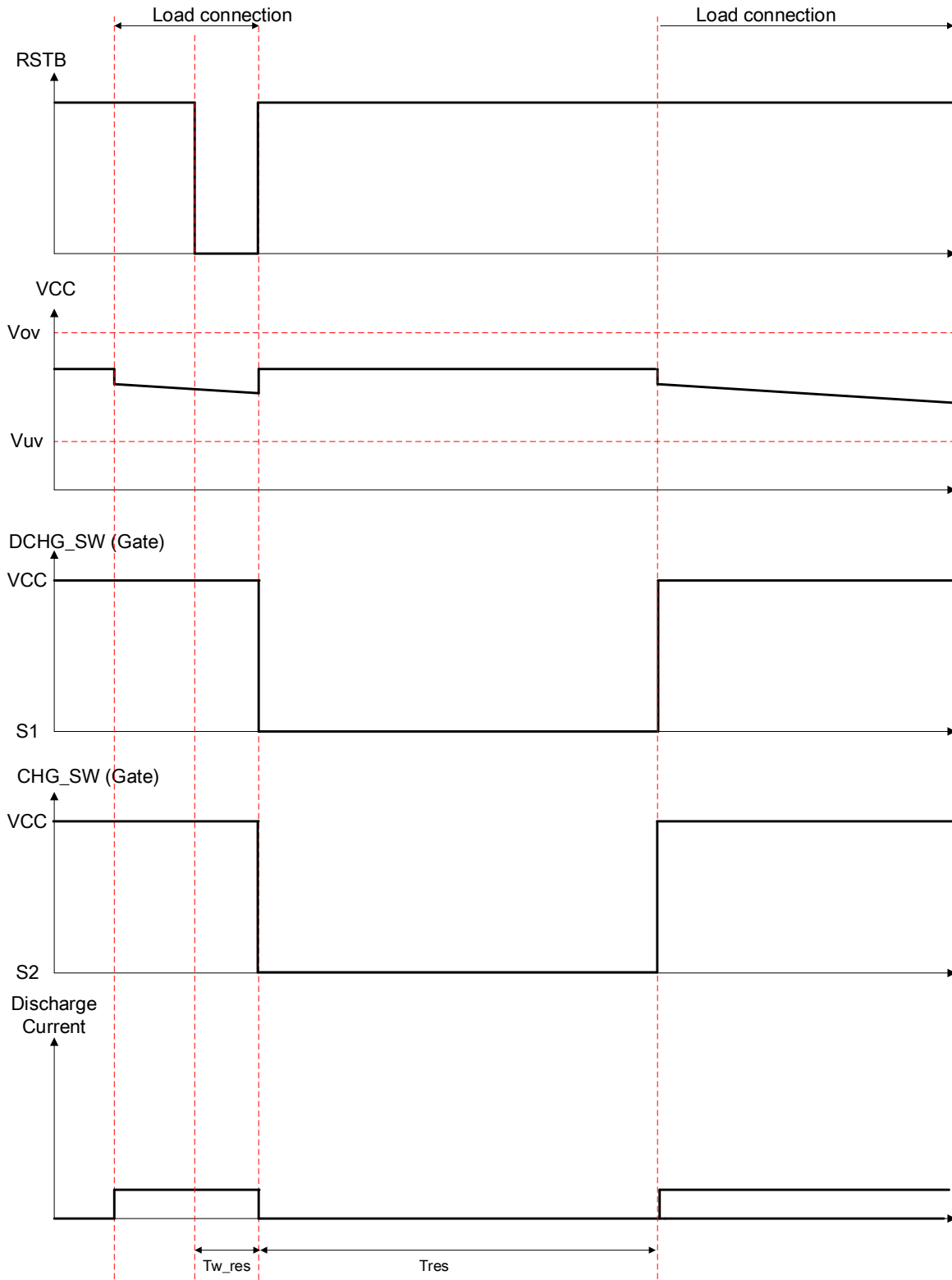
Discharge over-current detection1, Discharge over-current detection2
(Short circuit)



Charge over-current detection



Reset function



ORDERING INFORMATION

Device	Package	Shipping (Qty / Packing)
LC05132C01MTTGG	WDFN6 (2.6x4.0) (Pb-Free / Halogen Free)	4000 / Tape & Reel

ON Semiconductor and the ON Semiconductor logo are trademarks of Semiconductor Components Industries, LLC dba ON Semiconductor or its subsidiaries in the United States and/or other countries. ON Semiconductor owns the rights to a number of patents, trademarks, copyrights, trade secrets, and other intellectual property. A listing of ON Semiconductor's product/patent coverage may be accessed at www.onsemi.com/site/pdf/Patent-Marking.pdf. ON Semiconductor reserves the right to make changes without further notice to any products herein. ON Semiconductor makes no warranty, representation or guarantee regarding the suitability of its products for any particular purpose, nor does ON Semiconductor assume any liability arising out of the application or use of any product or circuit, and specifically disclaims any and all liability, including without limitation special, consequential or incidental damages. Buyer is responsible for its products and applications using ON Semiconductor products, including compliance with all laws, regulations and safety requirements or standards, regardless of any support or applications information provided by ON Semiconductor. "Typical" parameters which may be provided in ON Semiconductor data sheets and/or specifications can and do vary in different applications and actual performance may vary over time. All operating parameters, including "Typicals" must be validated for each customer application by customer's technical experts. ON Semiconductor does not convey any license under its patent rights nor the rights of others. ON Semiconductor products are not designed, intended, or authorized for use as a critical component in life support systems or any FDA Class 3 medical devices or medical devices with a same or similar classification in a foreign jurisdiction or any devices intended for implantation in the human body. Should Buyer purchase or use ON Semiconductor products for any such unintended or unauthorized application, Buyer shall indemnify and hold ON Semiconductor and its officers, employees, subsidiaries, affiliates, and distributors harmless against all claims, costs, damages, and expenses, and reasonable attorney fees arising out of, directly or indirectly, any claim of personal injury or death associated with such unintended or unauthorized use, even if such claim alleges that ON Semiconductor was negligent regarding the design or manufacture of the part. ON Semiconductor is an Equal Opportunity/Affirmative Action Employer. This literature is subject to all applicable copyright laws and is not for resale in any manner.