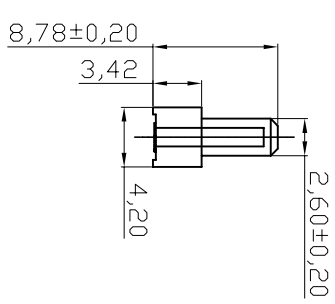
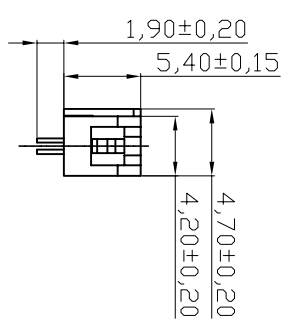
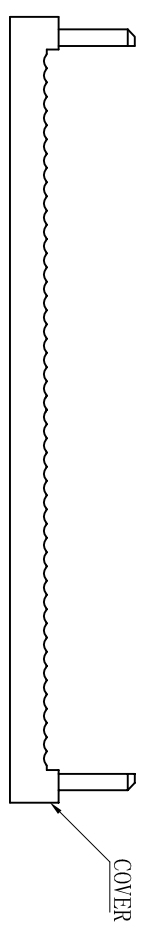
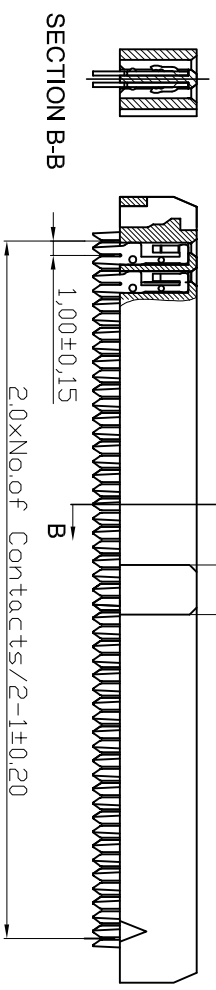
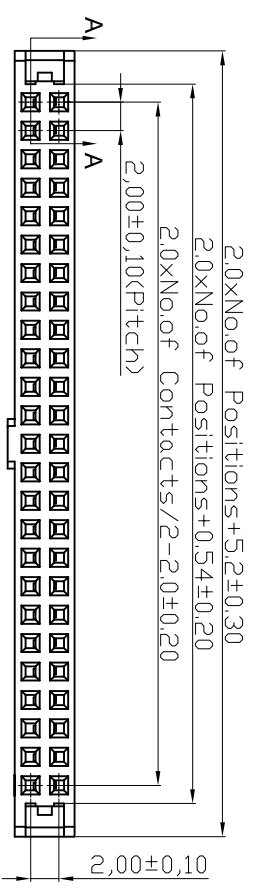


1 2 3 4 5 6 7



NOTES:
MATERIAL
 1. Insulator Material: PBT + 30% GF (UL 94V-0), Black
 2. Contact Material : Phosphor Bronze
 3. Contact Plating : Gold flash/ Tin Over Ni
ELECTRICAL
 1. Current Rating : 1AMP
 2. Withstand Voltage : 500V AC/DC
 3. Contact Resistance : 20mΩ max
 4. Insulation Resistance: 1000MΩ min
ENVIRONMENTAL
 1. Operation Temperature: -40°C to +105°C
 2. Packing: Tray

No. of contacts: 06, 08, 10, 12, 14, 16, 18, 20, 22, 24, 26
 30, 34, 36, 40, 44, 50, 60, 64, 68

RoHS compliant

 File No.: E198287

Scale	1:1	⑥ Add the UL-File No	13.12.2013	Winnie		Date	Name
TOLERANCE		⑤ Delete page 2	22.11.2013	Ray	Drawn	25.01.2006	Alex
X.X	±0.40	④ Added 68 Pin	24.12.2009	Dean	Approved	13.12.2013	Winnie
X.XX	±0.25	③ Correct P/N	28.10.2009	Dean			
X.XXX	±0.15	② Update	29.06.2009	Dean			
Angle	±3°	① Drawn	25.01.2006	Alex			
		Id.			Modification		

ASSMANN
 WSW components

Customer-No.		ASSMANN WSW-No.	AWP2 XX-7240 ②
Drawing-No.	ASS 2309 CO	Replace	rev06
Sheet	1 / 1		

H 1 2 3 4 5 6 7 SV1751