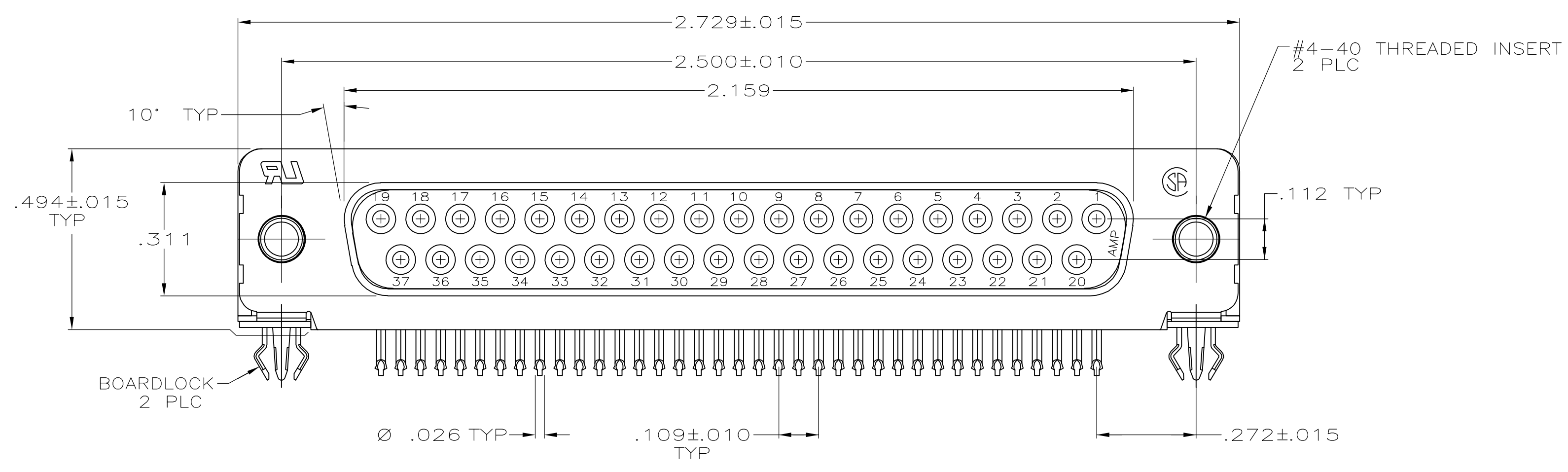
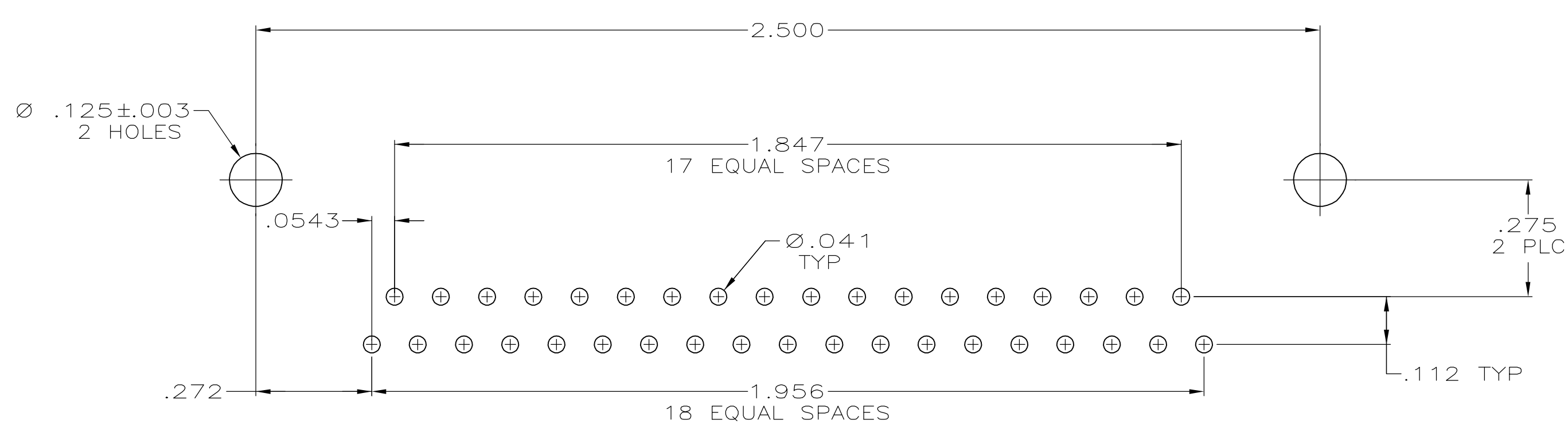
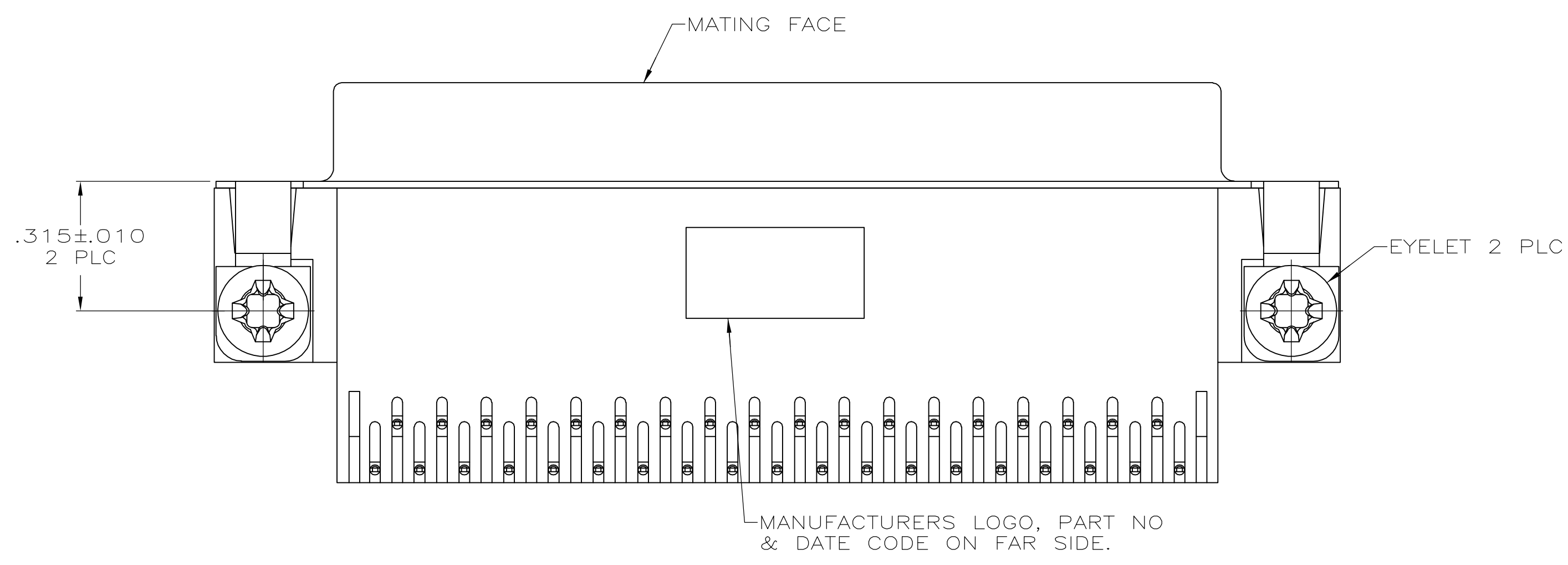


THIS DRAWING IS UNPUBLISHED. RELEASED FOR PUBLICATION  
 © COPYRIGHT BY TYCO ELECTRONICS CORPORATION. ALL RIGHTS RESERVED.

LOC		DIST		REVISIONS			
P	LTR	DESCRIPTION	DATE	DWN	APVD		
GP	00	0	RELEASED PER EC 0513-0016-05	04-12-05	GA	JG	



- 1 HOUSING: NYLON OR POLYESTER, FLAME RETARDANT, UL 94V-0 RATED, GLASS FILLED, BLACK.  
 CONTACTS: PHOSPHOR BRONZE.  
 SHELL: CARBON STEEL  
 EYELETS: BRASS  
 INSERTS: ZINC  
 BOARDLOCKS: COPPER ALLOY
- 2 SHELL: .000100 MIN TIN OVER .000050 MIN COPPER.  
 CONTACTS: .000030 GOLD MIN FOR A DISTANCE OF .100 MIN FROM MATING END,  
 .000100 MIN TIN ON TERMINATION END, ALL OVER .000050 MIN NICKEL  
 ON ENTIRE CONTACT.  
 EYELETS: .000050 MIN TIN OVER COPPER FLASH.  
 BOARDLOCKS: .000150 MIN TIN OVER .000050 MIN NICKEL.  
 INSERTS: CLEAR CHROMATE



RECOMMENDED P.C. BOARD MOUNTING DIMENSIONS

5747839-4  
 PART NUMBER

**COPYRIGHT 2005  
 TYCO ELECTRONICS CORP  
 ALL RIGHTS RESERVED**

THIS DRAWING IS A CONTROLLED DOCUMENT.		DWN G. ATTADIA - 04-12-05	tyco	Tyco Electronics Corporation
DIMENSIONS: INCHES		CHK S. BOLASH - 04-12-05	Electronics	Harrisburg, PA 17105-3608
TOLERANCES UNLESS OTHERWISE SPECIFIED:		APVD M. WALMSLEY - 04-12-05	RECEPTACLE ASSEMBLY, SIZE 4, 37 POSITION, RIGHT ANGLE, FRONT METAL SHELL, .590 SERIES, .026 DIA POSTS, BOARDLOCKS, AMPLIMITE HD-20	
0 PLC ± -		PRODUCT SPEC	SIZE CAGE CODE DRAWING NO	
1 PLC ± -		108-40025	A1 00779 C-5747839	
2 PLC ± -		APPLICATION SPEC	WEIGHT	
3 PLC ± .005		114-40010	SCALE 4:1 SHEET 1 OF 1 REV 0	
4 PLC ± -		ANGLES ± z	CUSTOMER DRAWING	
MATERIAL		FINISH		
1		2		