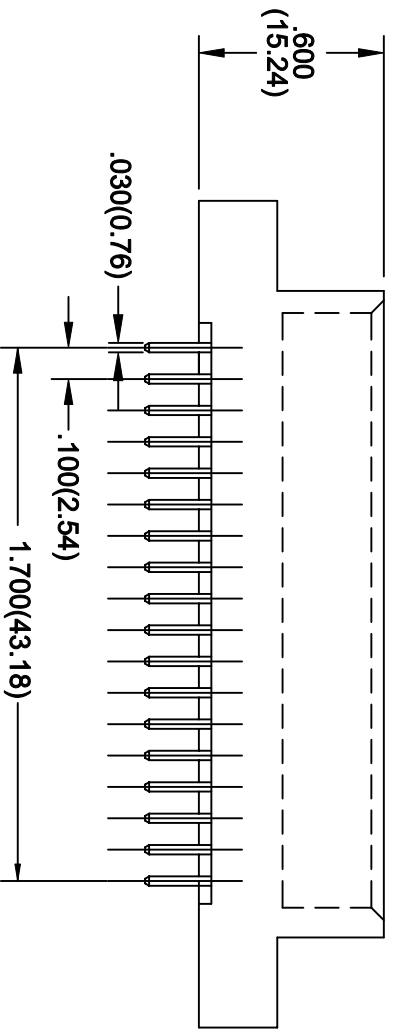
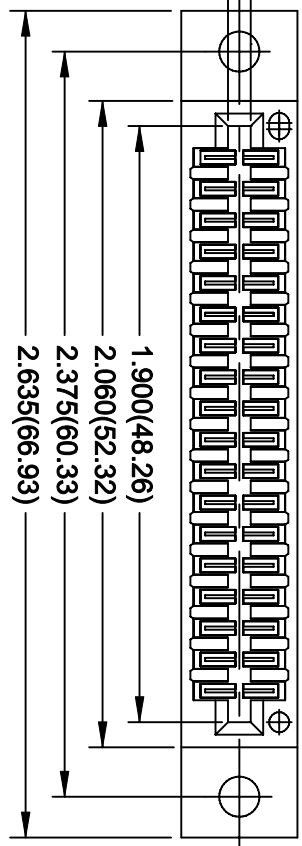
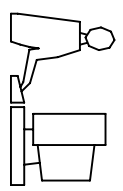


CARD SLOT ACCEPTS .054-.070 THK. PCB
(1.37-1.78)



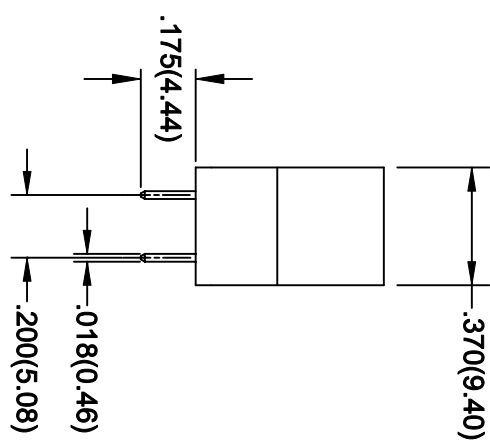
THIS IS A C.A.D. GENERATED DRAWING
DO NOT MAKE MANUAL REVISIONS TO MASTER.



ISSUE NUMBER
ORIGINAL ①

ELECTRICAL SPECIFICATION
 CURRENT RATING: 3 AMPS CONTINUOUS
 CONTACT RESISTANCE: 10 MILLIOHMS MAX.
 DWV: 1200 VAC RMS AT SEA LEVEL
 INSULATION RESISTANCE: 5000 MEGOHMS MIN.
 OPERATING TEMPERATURE: -65° TO 125° C.

MATERIALS:
 INSULATOR: THERMOPLASTIC POLYESTER
 UL94V-0, COLOR BLACK
 CONTACTS: COPPER NICKEL, TIN ALLOY CA-725
 GOLD ON CONTACT AREA, TIN/LEAD
 ON TAIL OVER NICKEL.



395 SERIES CARD EDGE CONNECTOR

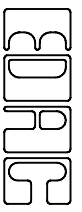
DRAWN: F. BRIONES DATE: NOV. 1/00

CHECKED: DATE:

PART NUMBER
395-036-520-202

DRAWING NUMBER
395-044-520-300

ISSUE
1



EDAC INC
TORONTO, ONTARIO
CANADA

YOUR CONNECTION TO QUALITY & SERVICE

ACAD REF. DWG. 395-036-520-202

THESE DRAWINGS AND SPECIFICATIONS
ARE THE PROPERTY OF EDAC INC. AND
SHALL NOT BE REPRODUCED OR COPIED
OR USED AS THE BASIS FOR THE
MANUFACTURE OR SALE OF APPARATUS
WITHOUT WRITTEN PERMISSION.