

THIS DRAWING IS UNPUBLISHED.

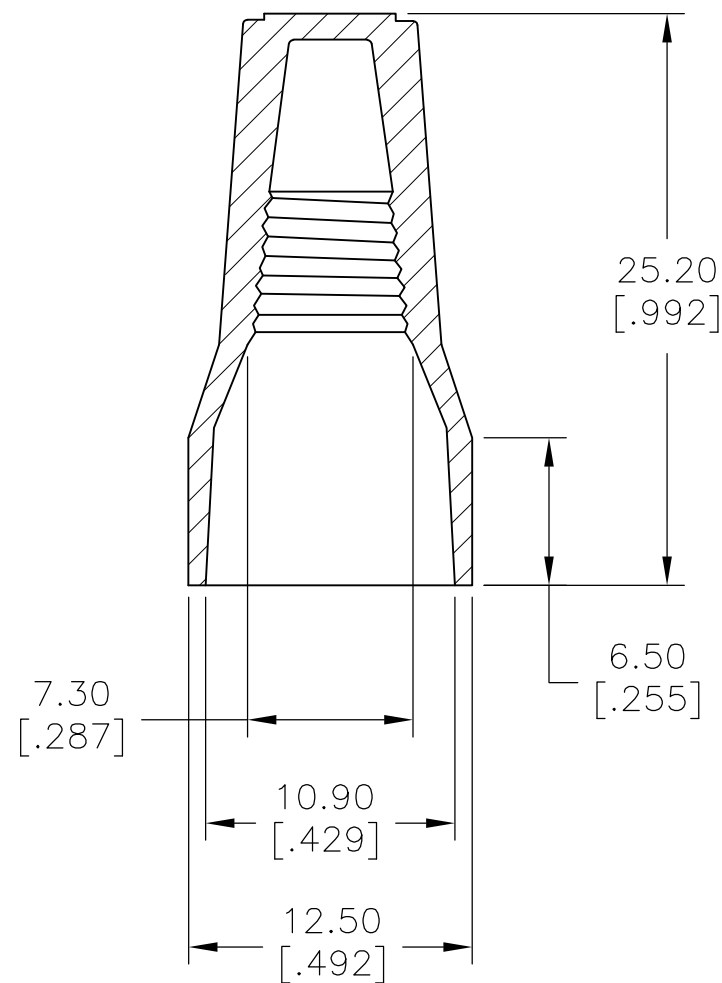
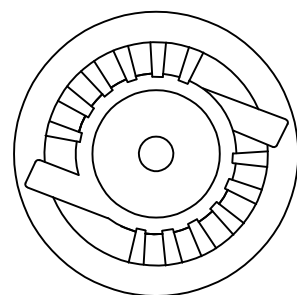
RELEASED FOR PUBLICATION

ALL RIGHTS RESERVED.

© COPYRIGHT - By -

REVISIONS

P	LTR	DESCRIPTION	DATE	DWN	APVD
	A	NEW DRAWING	13JAN2016	NK	RH



- 1 WORKING TEMPERATURE: 105° C
- 2 VOLTAGE: 600V MAX.
- 3 COLOR: YELLOW
- 4 WIRE RANGE: #22-#10AWG MAX.3#12 MIN.4#22
- 5 SPRING INSERT: STEEL

2299513-1 AS SHOWN

THIS DRAWING IS A CONTROLLED DOCUMENT.		DWN NAGALAKSHMI K 13JAN2016	TE Connectivity				
DIMENSIONS: mm [INCHES]		CHK HILL RYAN 13JAN2016				NAME	
TOLERANCES UNLESS OTHERWISE SPECIFIED: 0 PLC ± - 1 PLC ± 0.2[.007] 2 PLC ± 0.4[.015] 3 PLC ± - 4 PLC ± - ANGLES ± -		APVD HILL RYAN 13JAN2016	CPGI-WC-CG-YW-BULK				
		PRODUCT SPEC -	APPLICATION SPEC -				
MATERIAL UL 94V-2 FLAME-RETARDANT THERMOPLASTIC SHELL		FINISH -	WEIGHT -	SIZE A3	CAGE CODE 00779	DRAWING NO C-2299513	RESTRICTED TO -
CUSTOMER DRAWING			SCALE 3:1	SHEET 1 OF 1	REV A		