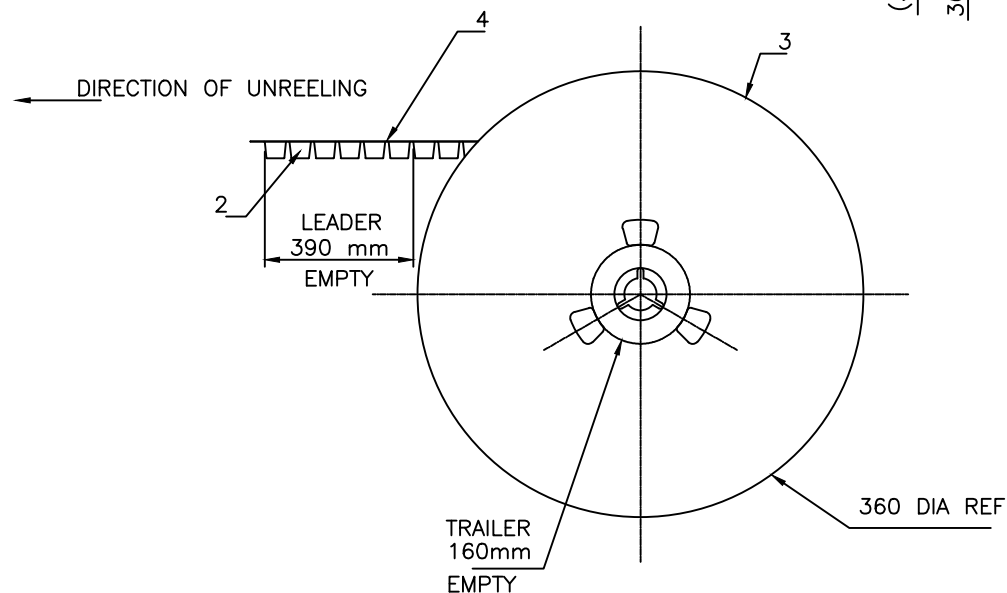
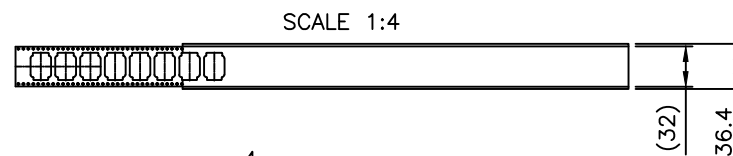
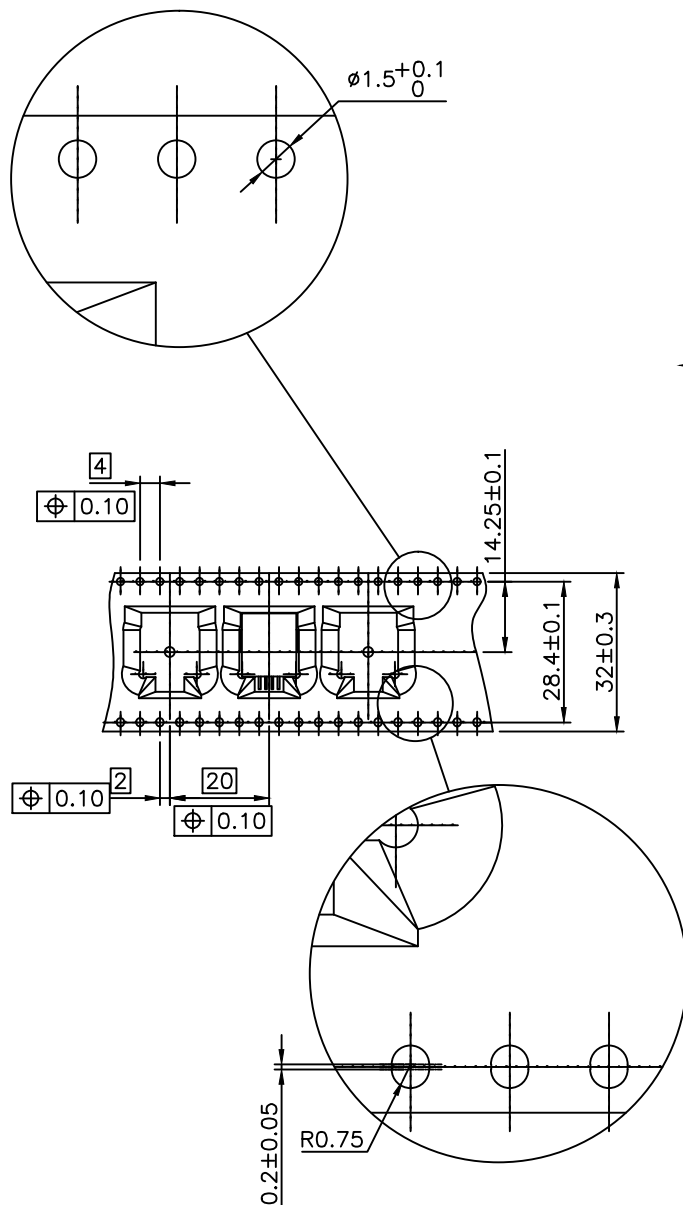


PRODUCT NUMBER
SEE SHEET 1

LTR	PART NAME	QTY
1	PRODUCT	280
2	TAPE	1
3	REEL	1
4	COVER TAPE	1



1- IN ACCORDANCE WITH EIA-481 AND IEC 296-3

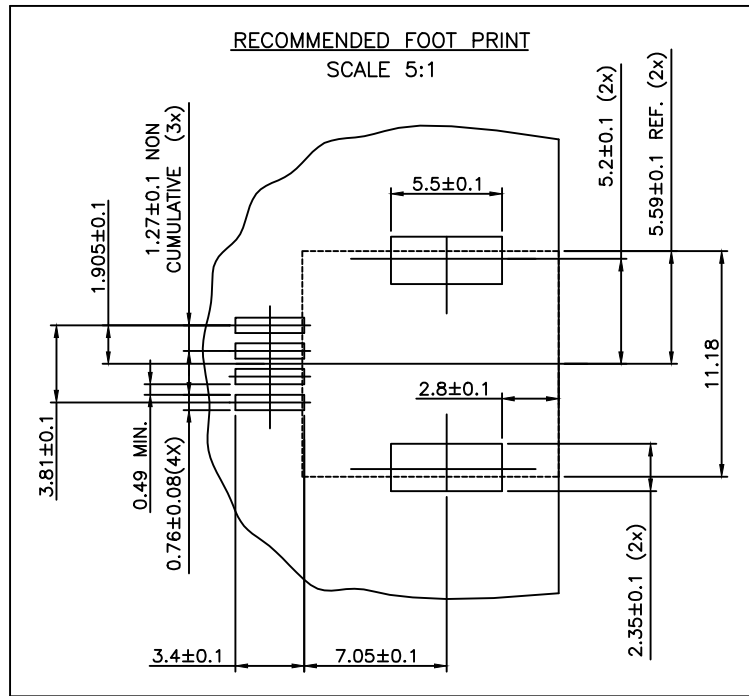
CUSTOMER COPY FOR REFERENCE ONLY

mat'l. code	surface ISO 1302 <input checked="" type="checkbox"/> ISO 406 ISO 1101	tolerance tolerances unless otherwise specified	projection 	product family MOD-JACK
ltr	ecn no	dr	date	title
E	F90120	DLE	99.02.01	SMT RA JACK
F	F06.0240	DLE	06.07.18	4 POS. NARROW OUTSIDE
		angles	linear	scale 1:1
		dr	D LEGRAND	06.07.18
		enr	P NIZZI	06.07.18
		chr	D LEGRAND	06.07.18
		appd	P NIZZI	06.07.18
sheet index	revision sheet			dwg no 73306
				sheet 2 of 3 size A3
				type CUSTOMER Drawing



FCJconnect.com

Copyright FCJ



FCconnect.com

Copyright FCJ

CUSTOMER COPY FOR REFERENCE ONLY

mat'l. code		surface	tolerance	projection	product family
		ISO 1302 <input checked="" type="checkbox"/>	ISO 406 ISO 1101		MOD JACK
ltr	ecn no	dr	date	title	
A	F04.0363	DLE	04.10.18	SMT RA JACK	
B	F06-0240	DLE	06.07.18	4 POS NARROW OUTSIDE	
		angles	linear	mm	scale 2:1
		±2°			
dr	D LEGRAND	04.10.18			
engr	P NIZZI	04.10.18			
chr	D LEGRAND	04.10.18			
appd	P NZ	04.10.18			
sheet index	revision sheet			dwg no	sheet 3 of - size
				73306	A4
				type	CUSTOMER Drawing

form: A4