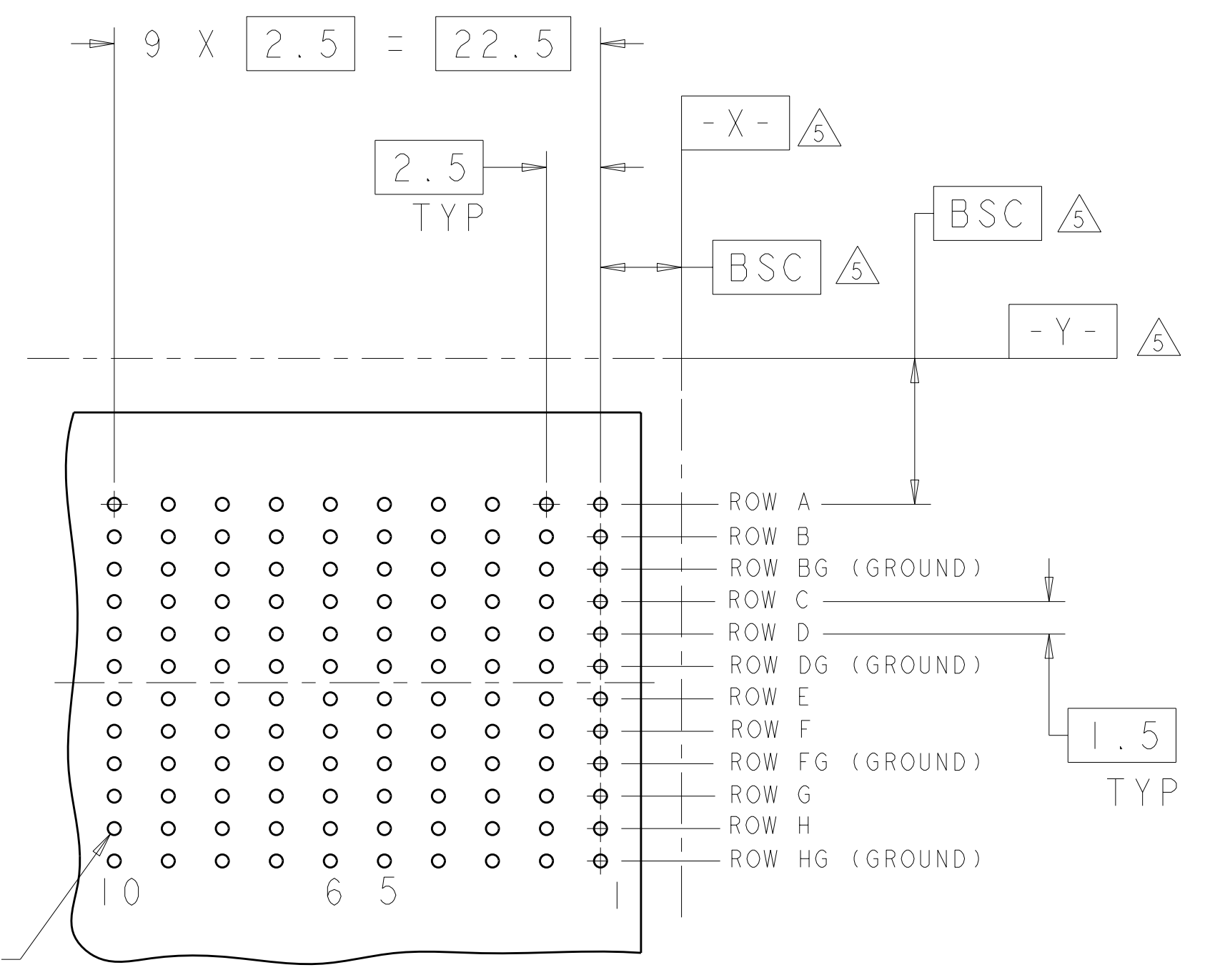
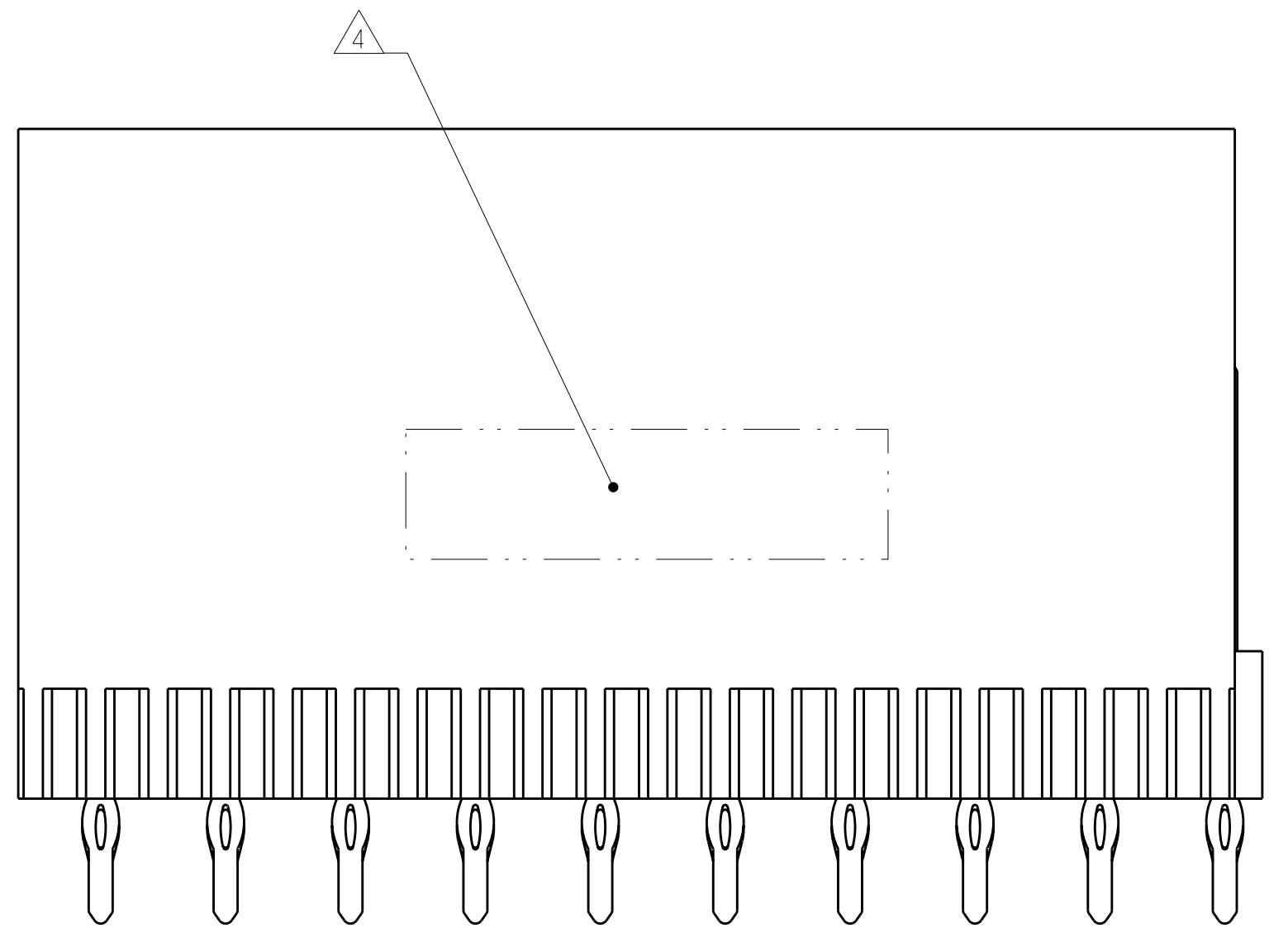
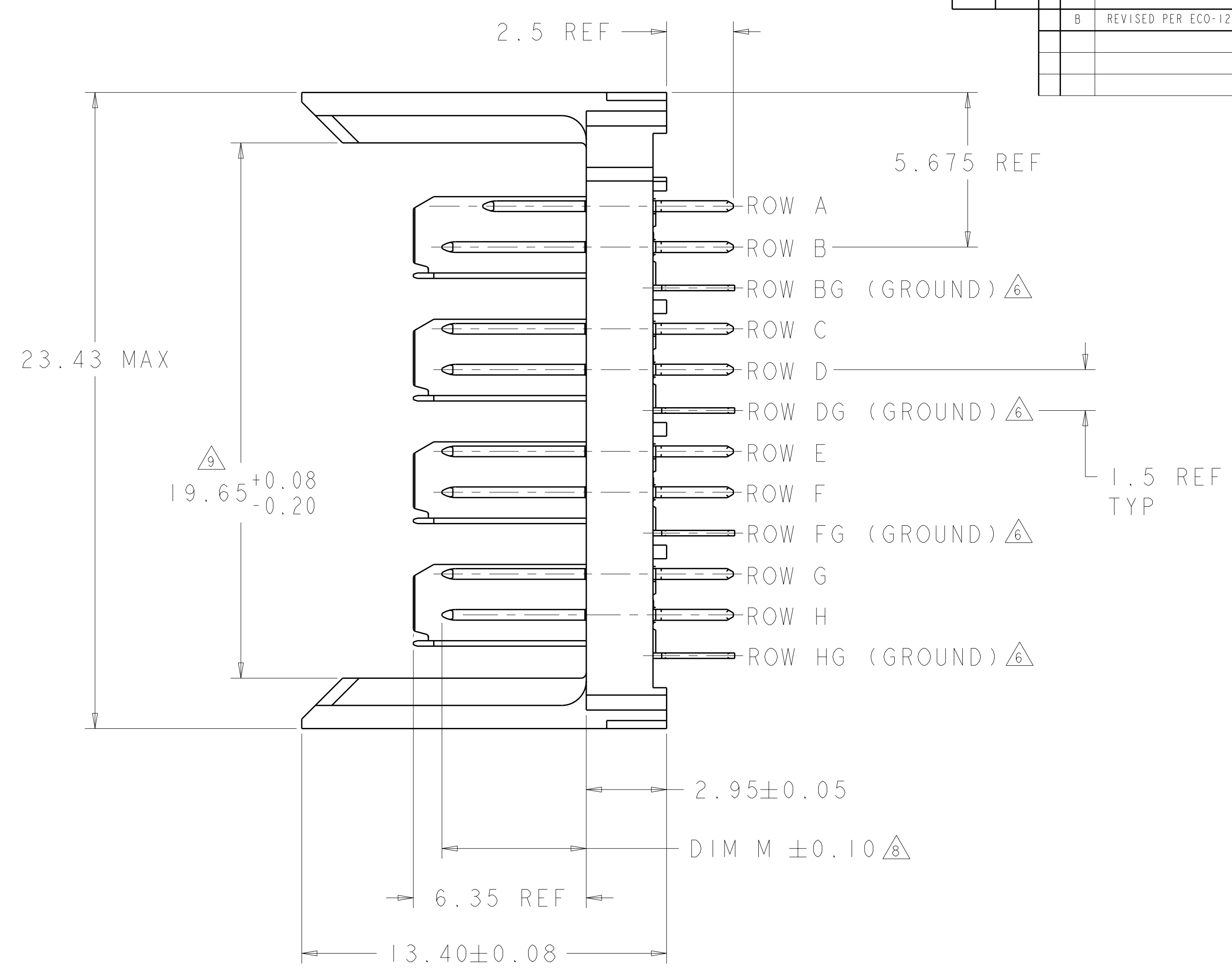
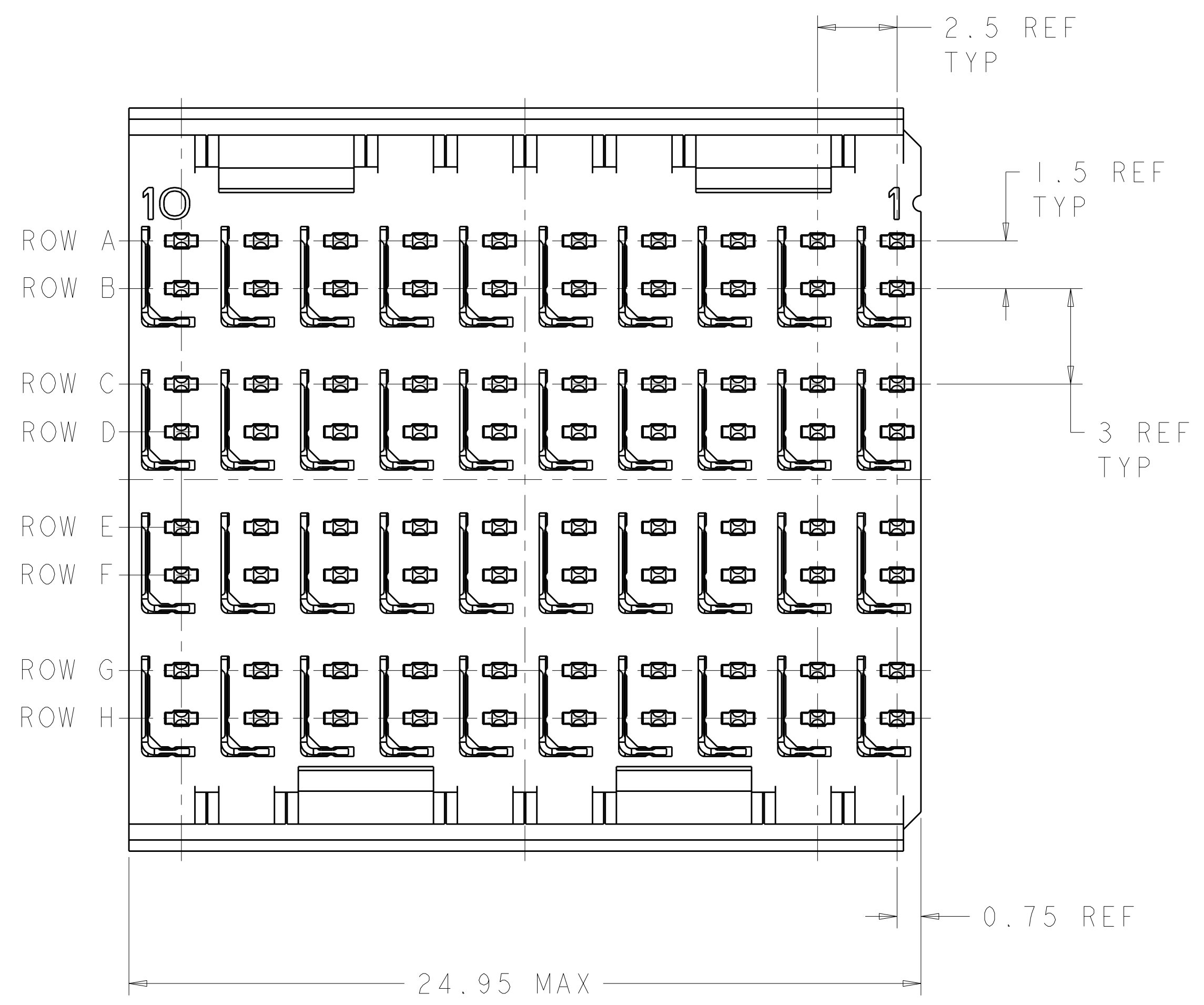


LOC		DIST		REVISIONS			
AD	00	P	LT#	DESCRIPTION	DATE	DWN	APVD
		B		REVISED PER ECO-12-000118	17JAN12	KH	DY



⊕ Ø 0.05 Ⓢ X Y
 ALL PLATED THRU HOLES

RECOMMENDED PC BOARD LAYOUT, BACKPLANE, COMPONENT SIDE SHOWN
 SCALE 4:1

- △ REFERENCE APPLICATION SPEC 114-13059 FOR RECOMMENDED PLATED THRU HOLE DIAMETER AND PLATING THICKNESSES.
- △ MATERIAL:
 CONTACT AND SHIELD - PHOSPHOR BRONZE
 HOUSING - GLASS FILLED POLYESTER, UL 94V-0.
- △ FINISH: SIGNAL AND GROUND CONTACTS:
 MATING AREA: MEETS THE PERFORMANCE REQUIREMENTS OF PRODUCT SPECIFICATION 108-2055; BASED ON TELCORDIA GR-1217-CORE, APPLICATIONS IN UNCONTROLLED ENVIRONMENTS
 COMPLIANT PIN AREA: 0.5 μm MIN MATTE TIN OVER BASE PLATING
- △ CONNECTOR MARKED WITH PART NUMBER AND DATE CODE.
- △ DATUMS AND BASIC DIMENSIONS ESTABLISHED BY CUSTOMER.
- △ THE FOUR GROUNDS IN EACH COLUMN ARE COMMONED.
- 7. CONTACT AREA LUBRICATED WITH BELLCORE APPROVED LUBRICANT. TECHNICAL REFERENCE: GR-1217-CORE, ISSUE 1, NOVEMBER 1995.
- △ REFER TO "CONTACT LAYOUT" CHART FOR SEQUENCING.
- △ DIMENSION APPLIES TO FIRST AND LAST CIRCUITS.

CONTACT LAYOUT
 A = 3.80mm (DIM M)
 B = 5.30mm (DIM M)
 G = GROUND

		COLUMNS									
		10	9	8	7	6	5	4	3	2	1
ROWS	A	B	B	B	B	B	B	B	B	B	A
	B	B	B	B	B	B	B	B	B	B	B
	BG	G	G	G	G	G	G	G	G	G	G
	C	B	B	B	B	B	B	B	B	B	B
	D	B	B	B	B	B	B	B	B	B	B
	DG	G	G	G	G	G	G	G	G	G	G
	E	B	B	B	B	B	B	B	B	B	B
	F	B	B	B	B	B	B	B	B	B	B
	FG	G	G	G	G	G	G	G	G	G	G
G	B	B	B	B	B	B	B	B	B	B	
H	B	B	B	B	B	B	B	B	B	B	
HG	G	G	G	G	G	G	G	G	G	G	

6469079-1
 PART NUMBER

THIS DRAWING IS A CONTROLLED DOCUMENT.		DWN: S. J. MAGARO 28JUN2004	TE Connectivity
DIMENSIONS: mm		CHK: R. A. PATTERSON 28JUN2004	
TOLERANCES UNLESS OTHERWISE SPECIFIED:		APVD: P. PATTERSON 16AUG2007	NAME: HEADER ASSEMBLY, 4 PAIR, SELECTIVELY LOADED, 2.5mm TAIL, 25mm, HMZd
9 PLC ± 1 PLC ± 5 PLC ± 4 PLC ± ANGLES ±		PRODUCT SPEC:	SIZE: CAGE CODE: DRAWING NO: RESTRICTED TO
MATERIAL: FINISH:		APPLICATION SPEC:	WEIGHT: A100779C=6469079
CUSTOMER DRAWING		SCALE: 8:1	SHEET 1 OF 1 REV B