

NOTES:

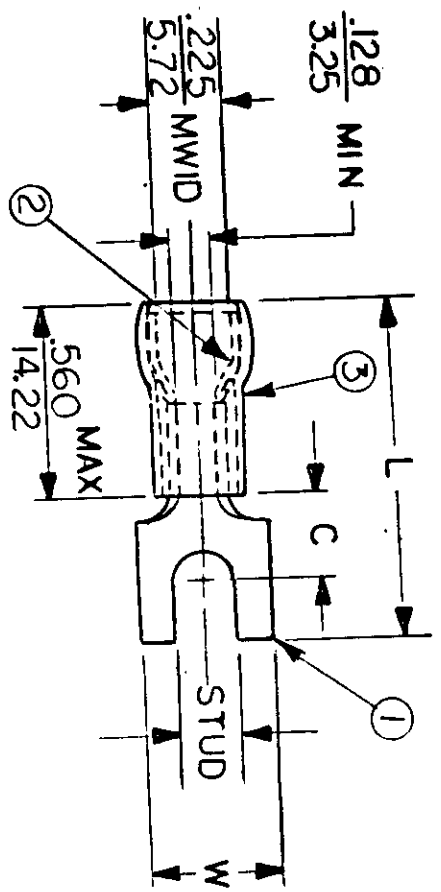
- ① MAT'L: COPPER (STOCK TKN. $\frac{.040}{.02}$)
PLATING: ELECTRO TIN (.0003 MIN)
 - ② TIN-PLATED BRASS FUNNEL FERRULE
 - ③ NYLON INSULATION (COLOR CODED YELLOW)
- STUD SIZES: ($\pm .005$)
- 02 = .094
 04 = .119
 06 = .146
 08 = .173
 10 = .198
 14 = .265
 56 = .328
 38 = .390

ALL DIMENSIONS = $\frac{\text{INCHES}}{\text{MM}}$

(MWID) = DENOTES MAXIMUM WIRE INSULATION DIAMETER

"UL" LISTING # E32244
 "CSA" LISTING # 18689

WIRE SIZE: 12 - 10 AWG²
 4.0 - 6.0 MM²



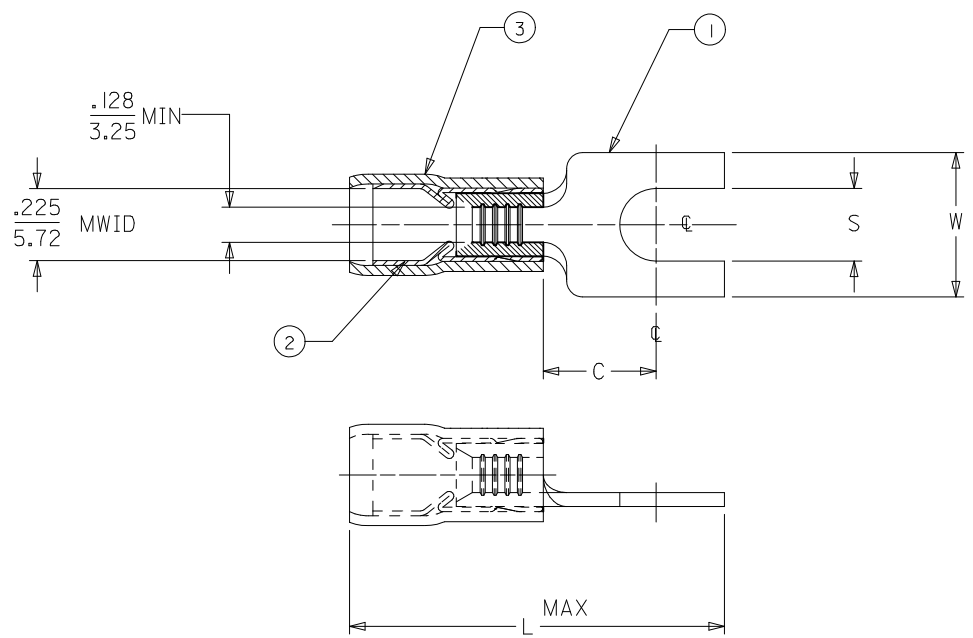
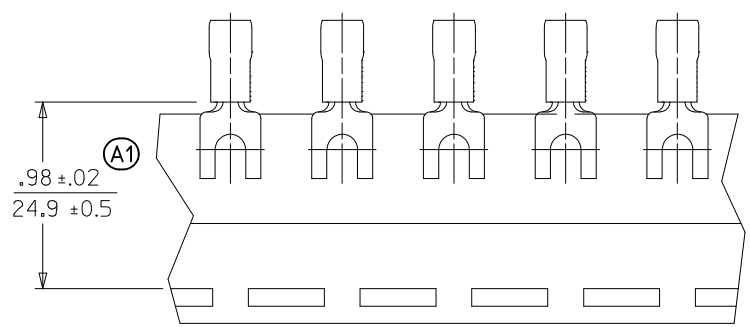
FILE NO.

C-CD-803-01

PART NUMBER	"W" ±.010	"C" MIN.	"L" MAX.	REFERENCE	SCALE:	NTS	DATE	TITLE:	DIMENSIONAL TOLERANCES UNLESS OTHERWISE SPECIFIED		
									DEC.	ANG.	
C-8102-	$\frac{.415}{10.41}$	$\frac{.305}{7.75}$	$\frac{1.090}{27.69}$		DRWN. BY:	JJ	11.12.84	SPADED TONGUE TERMINAL AVIKRIMP 800-SERIES.	DWG. NO.	A	CUSTOMER DWG
C-8105-	$\frac{.320}{8.13}$	$\frac{.305}{7.75}$	$\frac{1.090}{27.69}$		CHKD. BY:	GZ	11.26.84		APPRD. BY:		



MATERIAL NUMBER	ALTERNATE NUMBER	"L" MAX	STUD SIZE	"S"	(A1) "W" ±.010/0.25	"C" MIN	PACKAGING
191980039	C-8105-06	1.090 (27.69)	6	.146 (3.71)	.320 (8.13)	.305 (7.75)	LOOSE PIECE
191390060	C-8105-08	1.090 (27.69)	8	.173 (4.39)	.320 (8.13)	.305 (7.75)	
191390061	C-8105-10	1.090 (27.69)	10	.198 (5.03)	.320 (8.13)	.305 (7.75)	
191980037	C-8102-06	1.090 (27.69)	6	.146 (3.71)	.415 (10.41)	.305 (7.75)	
191390057	C-8102-08	1.090 (27.69)	8	.173 (4.39)	.415 (10.41)	.305 (7.75)	
191980038	C-8102-10	1.090 (27.69)	10	.198 (5.03)	.415 (10.41)	.305 (7.75)	TAPE MOUNTED
191980040	C-8105-06T	1.090 (27.69)	6	.146 (3.71)	.320 (8.13)	.305 (7.75)	
191980042	C-8105-08T	1.090 (27.69)	8	.173 (4.39)	.320 (8.13)	.305 (7.75)	
191980043	C-8105-10T	1.090 (27.69)	10	.198 (5.03)	.320 (8.13)	.305 (7.75)	
191390058	C-8102-08T	1.090 (27.69)	8	.173 (4.39)	.415 (10.41)	.305 (7.75)	



CUSTOMER DRAWING

- NOTES:
 1. MATERIAL: COPPER .040 THICK.
 PLATING: MATTE TIN
 2. FERRULE: TIN-PLATED BRASS
 3. INSULATION: YELLOW NYLON.
 4. MWID=MAXIMUM WIRE INSULATION DIA.
 5. PARTS ARE ROHS COMPLIANT.

(A1)

CORRECT TOLERANCES EC NO: IPG2012-0575 DRAWN: THRODAHL 2012/04/16 CHKD: JMACNEIL 2012/04/16 APPR: JMACNEIL 2012/04/19 DESCRIPTION	QUALITY SYMBOLS ▽=0 ▽7=0	GENERAL TOLERANCES (UNLESS SPECIFIED) mm INCH 4 PLACES ± --- ± --- 3 PLACES ± --- ± .005 2 PLACES ± 0.13 ± .01 1 PLACE ± 0.25 ± --- 0 PLACE ± ±	DIMENSION STYLE IN/MM DRAWN BY DATE EDB 2000/11/17 CHECKED BY DATE HEB 2000/11/17 APPROVED BY DATE	SCALE --- DESIGN UNITS INCH THIRD ANGLE PROJECTION	TITLE BLOCK SPADE TERMINAL AVIKRIMP -800 12-10 AWG molex	MATERIAL NO. SEE CHART	DOCUMENT NO. SD-19139-002	SHEET NO. 1 OF 1		
	ANGULAR ± --- ° DRAFT WHERE APPLICABLE MUST REMAIN WITHIN DIMENSIONS		THIS DRAWING CONTAINS INFORMATION THAT IS PROPRIETARY TO MOLEX INCORPORATED AND SHOULD NOT BE USED WITHOUT WRITTEN PERMISSION							
	A1									