

REVISIONS				
EC NO	DATE	REV	DESCRIPTION	CHANGER
	2016.07.26	A	INITIAL RELEASE.	DICK

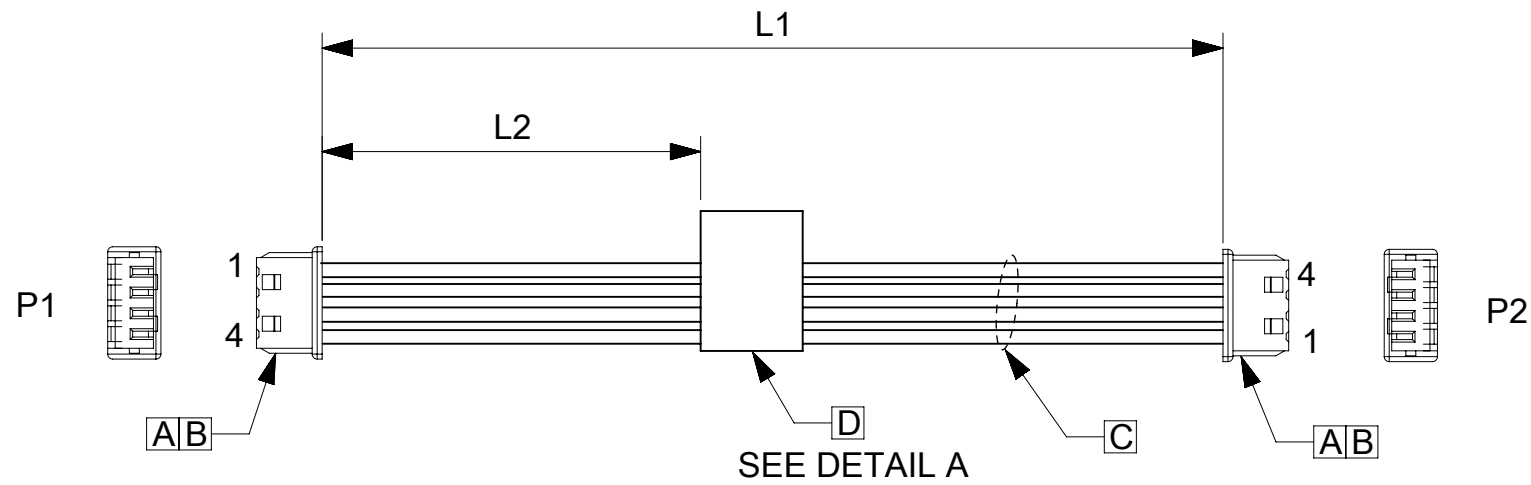
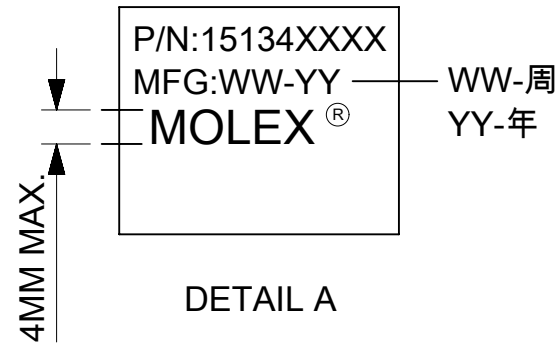


TABLE			
PART NUMBER	L1	L2	TITLE
151340400	50±6	20±5	Picoblade 4 Circuit 50MM
151340401	100±6	45±5	Picoblade 4 Circuit 100MM
151340402	150±8	70±5	Picoblade 4 Circuit 150MM
151340403	300±10	145±10	Picoblade 4 Circuit 300MM
151340405	450±10	220±10	Picoblade 4 Circuit 450MM
151340406	600±10	295±10	Picoblade 4 Circuit 600MM



**NOTES**

1. THIS PRODUCT MUST MEET 2011/65/EU ROHS COMPLIANCE.  
此产品需符合 2011/65/EU ROHS环保要求.
2. ELECTRICAL PERFORMANCE REFER TO ES-000.  
电气特性参考ES-000.
3. LABEL TEXT MUST BE 2mm MAX. IN HEIGHT WITH ARIAL FONT.  
标签字高最大2mm,字体ARIAL.
4. STICK UL LABEL ON THE OUTSIDE CARTON.  
外箱上贴UL标签.

WIRING CHART		
P1	P2	COLOR
1	4	BLACK
2	3	BLACK
3	2	BLACK
4	1	BLACK

ITEM	DESCRIPTION	L(MM)	Q'TY
D	Blank label 12.7x35.5mm (WHT:12.7mm) HF		1
C	UL&CSA 1061/#28 STR BLK	A/R	
B	1.25MM CRIMP REC TERMINAL		8
A	1.25 WtB Rec Hsg 4Ckt		2

<b>QUALITY SYMBOLS</b> 	THIS DRAWING CONTAINS INFORMATION THAT IS PROPRIETARY TO MOLEX ELECTRONIC TECHNOLOGIES, LLC AND SHOULD NOT BE USED WITHOUT WRITTEN PERMISSION				
	EC NO: 106943 DRWN: WLXIE CHK'D: DHUANG16 APPR: YXZOU	<b>GENERAL TOLERANCES (UNLESS SPECIFIED)</b> ANGULAR TOL ± °		DIMENSION UNITS: <b>MM</b> SCALE: <b>NTS</b>	
		4 PLACES ± 3 PLACES ± 2 PLACES ± 1 PLACE ± 0 PLACES ±	DRWN BY: <b>WLXIE</b> DATE: <b>2016/07/11</b> CHK'D BY: <b>DHUANG16</b> DATE: <b>2016/07/24</b>		
		DRAFT WHERE APPLICABLE MUST REMAIN WITHIN DIMENSIONS		DRAWING SIZE: <b>A3</b> THIRD ANGLE PROJECTION:	
<b>PRODUCT CUSTOMER DRAWING</b>			SERIES: <b>201234</b> MATERIAL NUMBER: <b>SEE TABLE</b> CUSTOMER: <b>GENERAL MARKET</b>		
DOCUMENT NUMBER: <b>2012341356</b>		DOC TYPE: <b>PSD</b> DOC PART: <b>000</b>	SHEET NUMBER: <b>1 OF 1</b>		