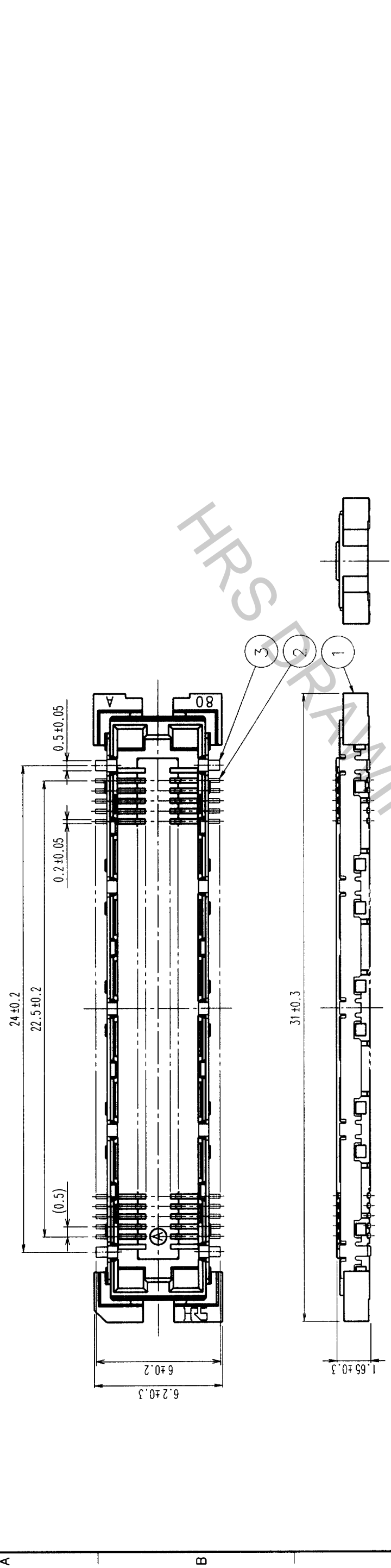
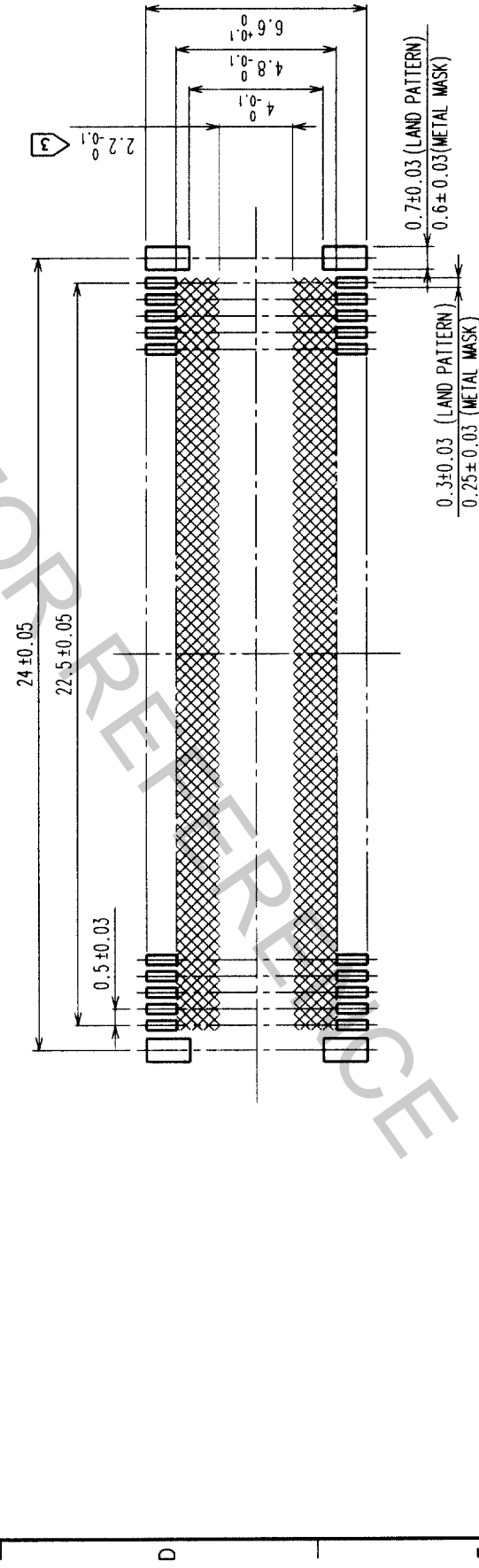


COUNT	DESCRIPTION OF REVISIONS	BY	CHKD	DATE	COUNT	DESCRIPTION OF REVISIONS	BY	CHKD	DATE
△					△				
△					△				
△					△				



RECOMMENDED LAND PATTERN DIMENSION OF PCB



NOTES 1 SMT LEAD-COPLANARITY: 0.1 MAX.  
 2 THIS PRODUCT HAS NO POLARITY TO PATTERN FOR MOUNTING.  
 ☞ MAKE SURE WIDTH OF PATTERN IS WITHIN THAT OF LAND, OR LEAD MAY TOUCH PATTERN. (THIS APPLIES TO HATCHED AREA.)

2 PHOSPHOR BRONZE		CONTACT AREA: GOLD (0.1μm) OVER NICKEL	
1 LCP		LEAD: GOLD FLASH OVER NICKEL	
NO.	MATERIAL	FINISH, REMARKS	NO.
3	PHOSPHOR BRONZE	TIN PLATED	
CODE NO. (OLD)	CL	DRAWN	CHECKED
		<i>S. Nishiyama</i>	<i>M. Sakata</i>
		99.05.25	99.05.26
			99.05.27
DRAWING NO.		PART NO.	
EDC3-152121		FX11LB-92S-SV	
SCALE	CODE NO.		
5 : 1	CL573-0153-2		
UNITS	HIROSE ELECTRIC CO., LTD.		
mm			

TO  
PCK