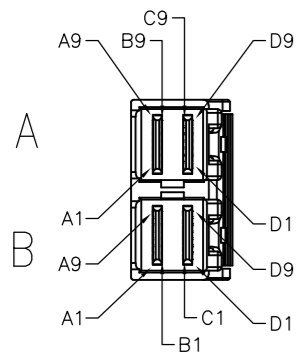
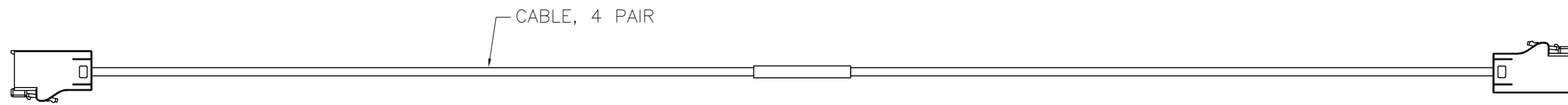
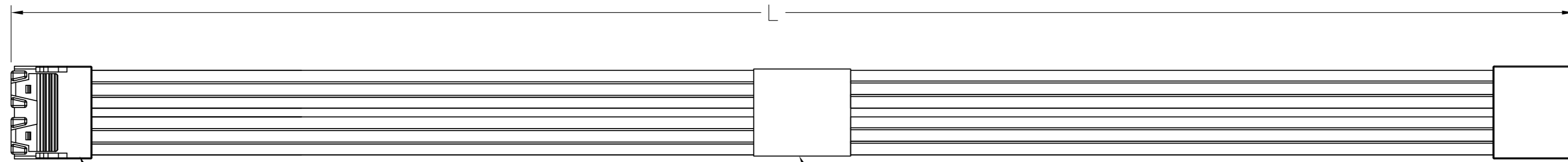


THIS DRAWING IS UNPUBLISHED. RELEASED FOR PUBLICATION
 © COPYRIGHT - By - ALL RIGHTS RESERVED.

LOC	DIST	REVISIONS			
P	LTR	DESCRIPTION	DATE	DWN	APVD
GP	00	A	INITIAL RELEASE	07JUL2015	MY GG



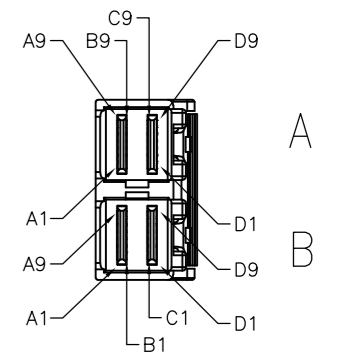
P1



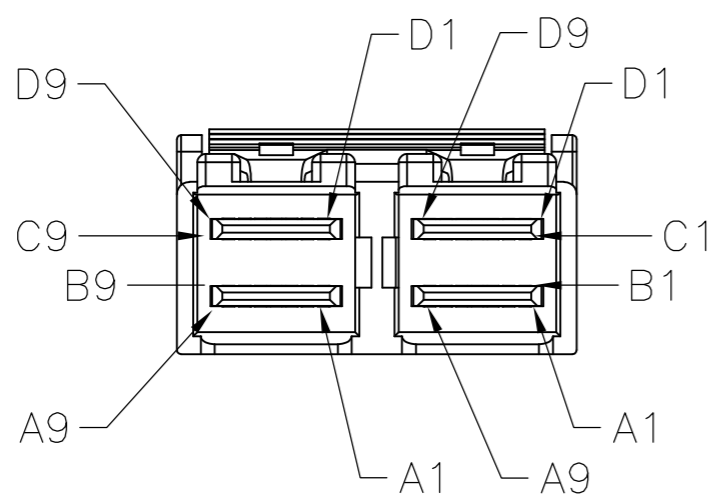
PLUG, MINI-SAS HD

LABEL

3



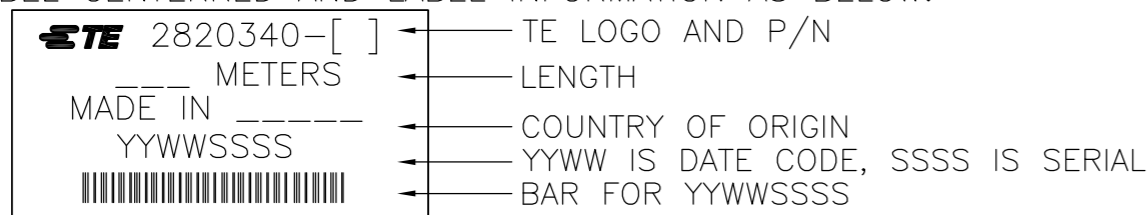
P2



CONNECTOR FACE
-LATCH UP


- ASSEMBLY TO BE 100% TESTED FOR CONTINUITY, SHORTS, AND OPENS, CABLES ASSEMBLYS ARE ALSO TO BE 100% TESTED FOR SIGNAL INTEGRITY, TO SAS 3.0 REQUIREMENTS.
- ROHS AND REACH COMPLIANCE: PRODUCT AND PROCESSING MEETS REQUIREMENTS OF TE SPECIFICATION TEC-138-702.

3 LABEL CENTERED AND LABEL INFORMATION AS BELOW:



4. SEE SHEET #2 FOR WIRING SCHEMATIC.

500 +25 -0	2820340-2
300 +25 -0	2820340-1
"L"[MM]	TE P/N

THIS DRAWING IS A CONTROLLED DOCUMENT.		DWN	16/JUN/2014	 TE Connectivity
DIMENSIONS:		CHK	16/JUN/2014	
mm	TOLERANCES UNLESS OTHERWISE SPECIFIED:	APVD	16/JUN/2014	
0 PLC ± -	1 PLC ± -	PRODUCT SPEC		
2 PLC ± -	3 PLC ± -	APPLICATION SPEC		NAME
4 PLC ± -	ANGLES ± -	WEIGHT		C/A, INTERNAL HD MINI SAS, STR TO STR 85 OHMS, 8X, NON HALOGEN
MATERIAL	FINISH	RESTRICTED TO		SIZE
-	-	RESTRICTED CUSTOMER		A2
		SCALE	N.T.S.	SHEET
		1 of 2		REV
				A

THIS DRAWING IS UNPUBLISHED. RELEASED FOR PUBLICATION
 © COPYRIGHT - By - ALL RIGHTS RESERVED.

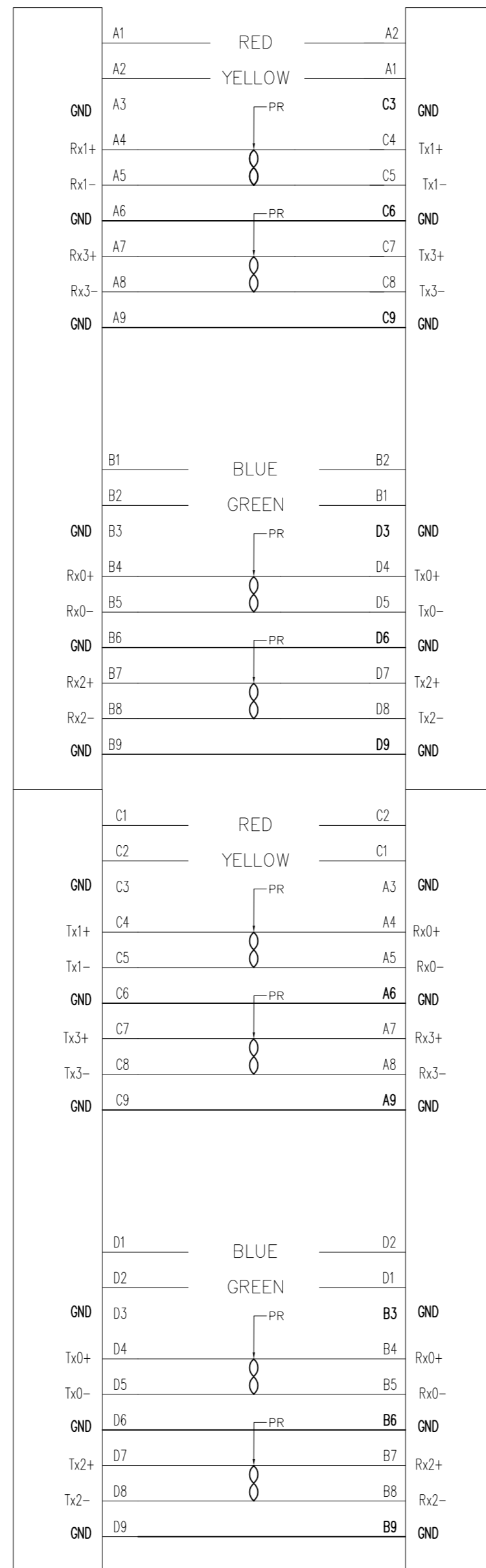
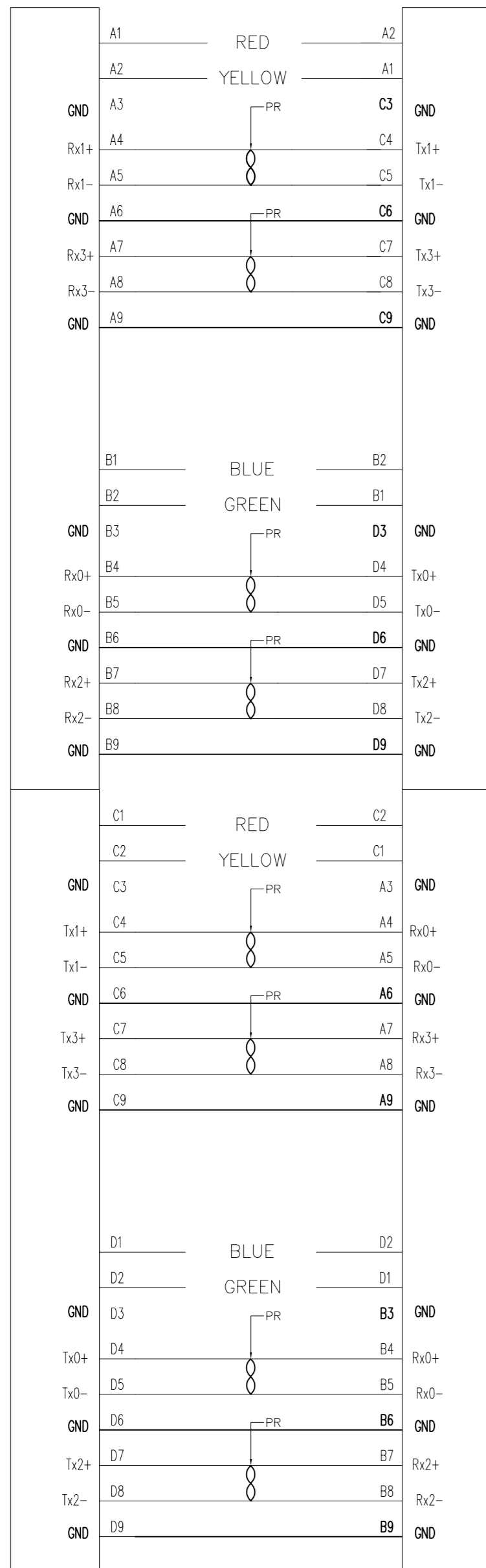
LOC	DIST	REVISIONS					
		P	LTR	DESCRIPTION	DATE	DWN	APVD
GP	00	-	-	SEE SHEET 1	-	-	-

P1-A

P2-A

P1-B

P2-B



WIRING PATTERN

THIS DRAWING IS A CONTROLLED DOCUMENT.		DWN M.YI 16/JUN/2014		TE Connectivity	
DIMENSIONS: mm		CHK G.GUTGOLD 16/JUN/2014		NAME C/A, INTERNAL HD MINI SAS, STR TO STR 85 OHMS, 8X, NON HALOGEN	
TOLERANCES UNLESS OTHERWISE SPECIFIED: 0 PLC ± - 1 PLC ± - 2 PLC ± - 3 PLC ± - 4 PLC ± - ANGLES ± -		APVD G.GUTGOLD 16/JUN/2014	PRODUCT SPEC APPLICATION SPEC		
MATERIAL	FINISH	WEIGHT -	SIZE A2	CAGE CODE 00779	DRAWING NO C=2820340
RESTRICTED CUSTOMER			SCALE N.T.S.	SHEET 2 of 2	REV A

2820340