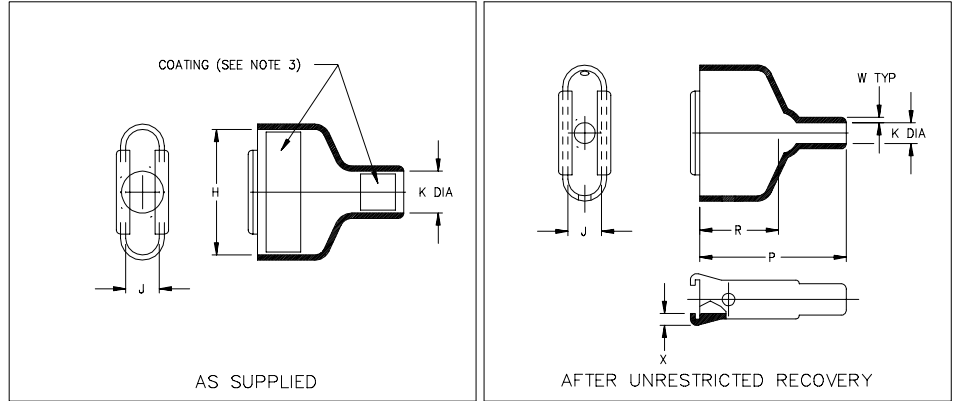


Thermofit Molded Parts
Specification Control Drawing
Limited Distribution

Part Number : 214A032-25/225
Description : Boot, Rectangular, Subminiature, Straight

NOTES

- All dimensions are in $\frac{\text{inches}}{\text{[millimeters]}}$; $\frac{\text{lbs}}{\text{[gms]}}$
- Dimensions appearing in table are as follows:
a - As Supplied
b - After Unrestricted Recovery
- Coating is optional. As supplied dimensions appearing in table are for uncoated parts. When coating is added, entry diameters will be reduced by .06 max.



PART NUMBER	H		J		K		P	R	W	X	This Boot Fits					
	Min	±5%	Min	±5%	Min	Max					±10%	±10%	±20%	±20%	Canon/Cinch	Amphenol Series 17
	a	b	a	b	a	b					b	b	b	b		
214A032-25/225	1.65 [42,0]	1.66 [42,2]	.59 [15,0]	.42 [10,7]	.59 [15,0]	.31 [8,0]	1.77 [45,0]	.98 [25,0]	.04 [1,0]	.12 [3,0]	DB-25	XX25X				

**If this document is printed it becomes uncontrolled.
Check for the latest revision.**

Raychem

RAYCHEM CORPORATION
300 CONSTITUTION DRIVE
MENLO PARK, CALIFORNIA 94025

Revision : A
Date : 10/30/97

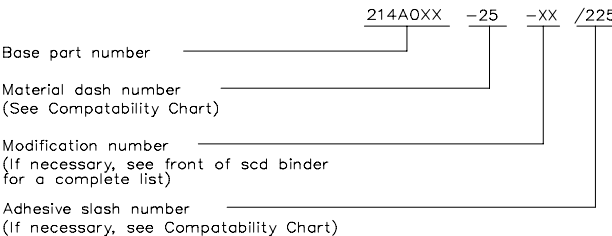
Part Number : 214A032-25/225
Description : Boot, Rectangular, Subminiature, Straight

Thermofit Molded Parts
Specification Control Drawing
Limited Distribution

Part Number : 214A032-25/225
Description : Boot, Rectangular, Subminiature, Straight

COMPATABILITY CHART					
MATERIAL DASH NO.	MATERIAL DESCRIPTION	RT SPEC	COATING SLASH NO.	COATING S NO.	COATING DESCRIPTION
-25	Elastomer, Fluid Resistant	RT-1325	/225	S-1026	Adhesive

ORDERING INFORMATION



THIS DRAWING IS SUBJECT TO CHANGE WITHOUT NOTICE; CONSULT YOUR NEAREST FIELD REPRESENTATIVE FOR CURRENT REVISION

Raychem

RAYCHEM CORPORATION
300 CONSTITUTION DRIVE
MENLO PARK, CALIFORNIA 94025

Revision : A
Date : 10/30/97

Part Number : 214A032-25/225
Description : Boot, Rectangular, Subminiature, Straight

CAD FILE MP97172