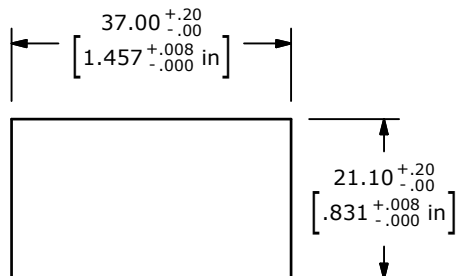
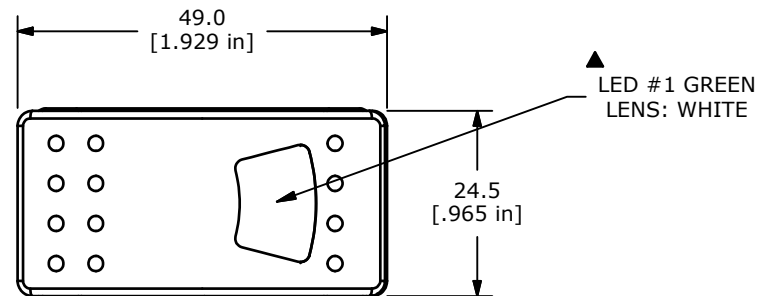


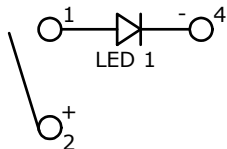
▲ SWITCH FUNCTION		
POS. 1	POS. 2	POS. 3
ON	N/A	OFF
1-2	N/A	NONE



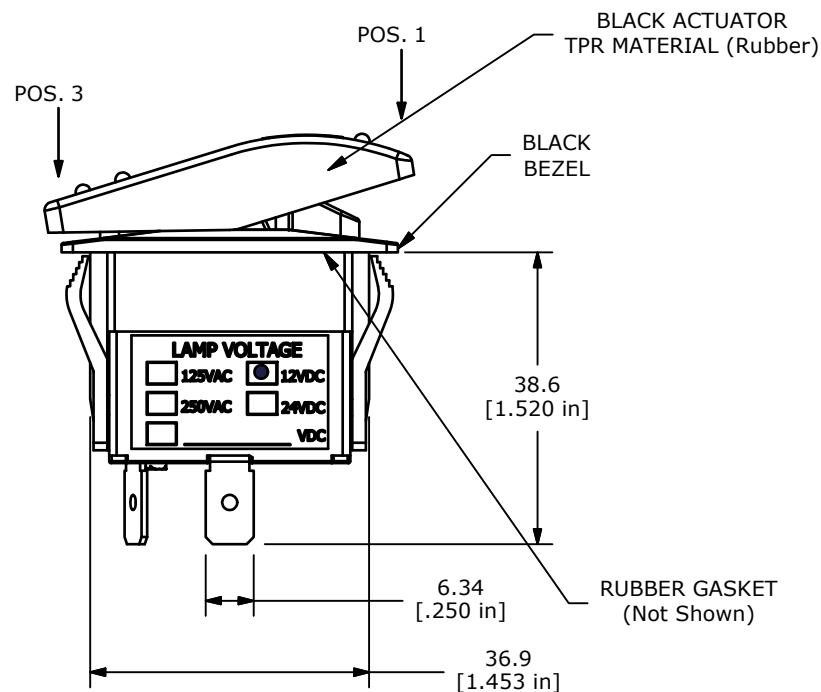
RECOMMENDED  
PANEL CUT-OUT



▲ LED #1 GREEN  
LENS: WHITE



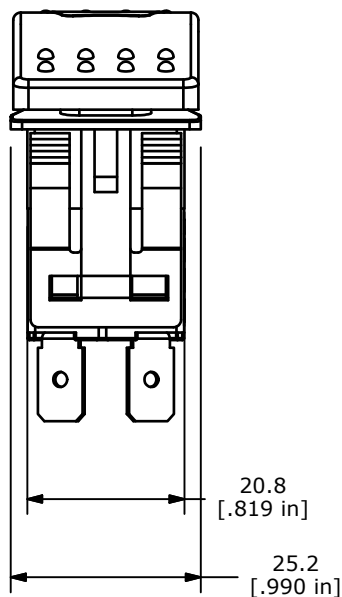
CIRCUIT: SPST  
ON - OFF



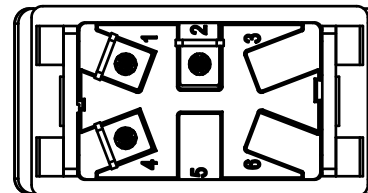
BLACK ACTUATOR  
TPR MATERIAL (Rubber)

BLACK  
BEZEL

RUBBER GASKET  
(Not Shown)



- NOTES:
1. ALL DIMENSIONS IN MM [INCH]
  2. GENERAL TOLERANCE: X.X=±0.4  
X.XX=±0.25
  3. TERM. NOS. FOR REF. ONLY
  4. RATING: 16A @ 30VDC, 50/60 Hz, μT55  
UL LISTED
  5. ELECTRICAL LIFE: 10,000 CYCLES
  6. MECHANICAL LIFE: 30,000 CYCLES
  7. CONTACT RESISTANCE: <20 MILLI-OHMS INITIAL
  8. DIELECTRIC STRENGTH: >1,500V AC 1MIN
  9. INSULATION RESISTANCE: >100 MOHMS @ 500VDC
  10. OPERATING TEMP: 0°C to 55°C
  - ▲11. LED: GREEN, 12VDC
  12. ▲ DENOTES CRITICAL PARAMETER.
  13. 2002/95/EC (ROHS) COMPLIANT



B	21355	Drawing Cleanup	1/15/14	rc
A	21252	New Release	8/14/13	rc
REV	PCR NO	DESCRIPTION	DATE	BY

TITLE R711FE1-SXXX2BDGNW				
SCALE 1:1	DATE 8/14/2013	DR rc	DWG C700013	REV B

THE INFORMATION CONTAINED IN THIS DOCUMENT IS PROPRIETARY TO E-SWITCH AND IS NOT TO BE COPIED OR TRANSFERRED