

PART NUMBER	REV	FEED TYPE	DESCRIPTION	PROGRAMMED MEMORY CHIP
2151004-1	A	MECHANICAL	FINE CRIMP HEIGHT ADJUST	-
2151004-2	A	PNEUMATIC	FINE CRIMP HEIGHT ADJUST	-
2151004-5	A	SERVO	FINE CRIMP HEIGHT ADJUST	8-2151004-5
2151004-6	A	SERVO	NON CRIMP HEIGHT ADJUST	8-2151004-6
2151004-7	A	NONE	FINE CRIMP HEIGHT ADJUST	-
7-2151004-7	A	-	SPARE PARTS KIT	-

SUPERSEDED BY 2151488-1
 SUPERSEDED BY 2151488-2
 SUPERSEDED BY 2151488-5
 SUPERSEDED BY 2151488-6
 SUPERSEDED BY 2151488-7

CRIMP	SIZE	TYPE
WIRE	1.07 mm [.042]	F
INSUL	1.58 mm [.062]	O

TERMINAL DATA: TE TERMINAL TYCO ELECTRONICS CRIMP SPEC
 TERMINAL NAME: AMPMODU CRIMP SNAP-IN 22-26 AWG

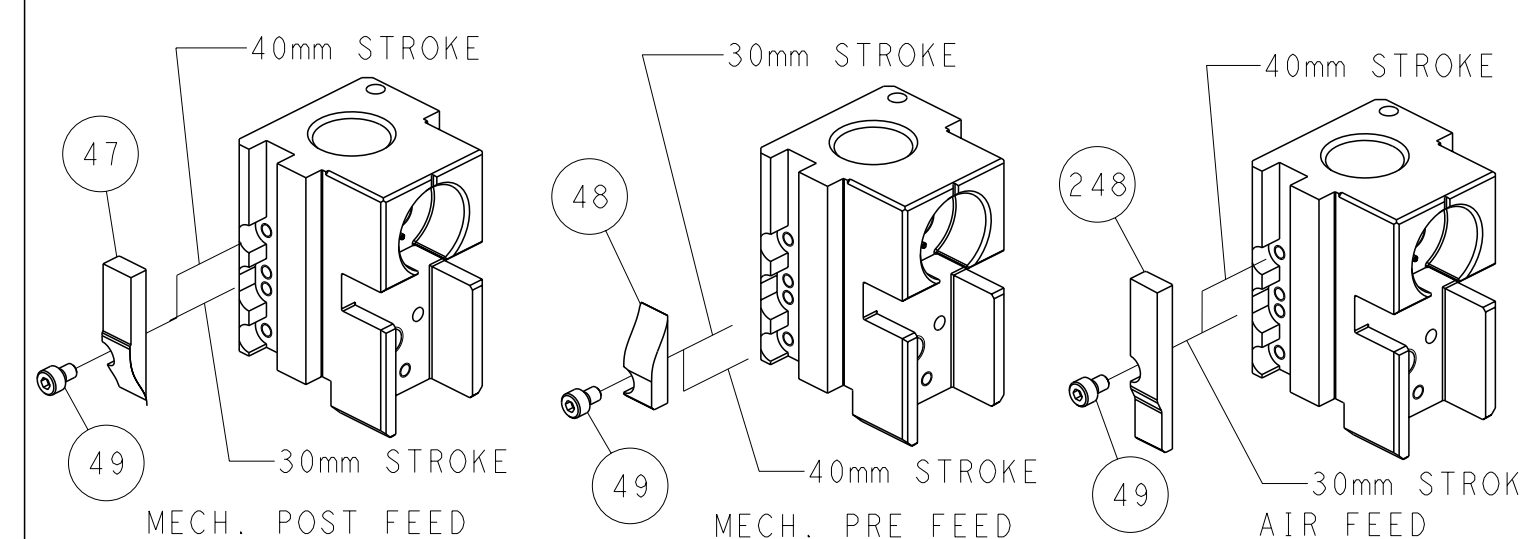
WIRE STRIP LENGTH	INSULATION DIAMETER RANGE
3.18-3.96 mm [.125-.156 IN]	Ø0.00-1.52 mm [.000-.060 IN]

TE TERMINAL	TE TERMINAL	TE TERMINAL	TE TERMINAL
104480-2	104480-3	104480-4	1-104480-2
1-104480-3	1-104480-7		

WIRE SIZE	CRIMP HEIGHT mm [INCH]	FINE ADJUST REF SETTING*
22 AWG	0.91±0.05 [.036±.002]	8.2
24 AWG	0.81±0.05 [.032±.002]	9.6
26 AWG	0.76±0.05 [.030±.002]	10.0

- RECOMMENDED SPARE PARTS
- GREASE BEARING SURFACES LIGHTLY
- LUBRICATE DAILY PER THE APPLICATOR INSTRUCTION SHEET SUPPLIED WITH THE APPLICATOR.
- APPLICATOR SPECIFIC DATA TO BE ENTERED INTO BLANK MEMORY CHIP AT ASSEMBLY.
- TO CONVERT THE APPLICATOR TO A NON-CARRIER CUTTING STYLE, REMOVE ITEM 13 AND ATTACH TO THE LOCATION INDICATED.
- POSITIONAL ADJUSTMENTS OF THE STRIPPER MAY BE REQUIRED WHEN MOVING THE APPLICATOR BETWEEN BENCH AND LEADMAKER APPLICATIONS.
- FOR THE ASIAN VERSION OF THIS APPLICATOR, SEE LOG 2151004-9
- GREASE THREADS, GROOVE AND O-RING ON ITEMS 35 & 252.
- MAGNET MUST BE ORIENTED CORRECTLY IN ORDER TO PROPERLY ACTUATE THE COUNTER.

FEED VER. TO CONVERT TO	RETROFIT KIT	ADDITIONAL PARTS REQ'D
MECHANICAL	2119949-1	56
PNEUMATIC	2119950-1	56
SERVO	2119951-1	135, 198, 240



ITEM NO	DESCRIPTION	ITEM NO
-77	-7	-6
-5	-2	-1
8-21084-0	O-RING, .676 ID, .070 DIA. MAT.	252
2119640-1	PUSH ROD, AIR FEED	250
2079988-1	BUSHING, LCH5-12, MISUMI	249
2119641-1	FEED CAM, AIR FEED	248
2119798-1	DETENT PIN	247
1-22279-3	SPRING, COMPRESSION	246
2119758-1	RAM, AMP STYLE, SIDE FEED, NON-ADJ.	245
2119082-1	CAM, SNAIL, INSULATION ADJUSTMENT	244
2079764-1	WASHER, WAVE SPRING, CREST-TO-CREST	243
8-21084-0	O-RING, .676 ID, .070 DIA. MAT.	252
2119640-1	PUSH ROD, AIR FEED	250
2079988-1	BUSHING, LCH5-12, MISUMI	249
2119641-1	FEED CAM, AIR FEED	248
2119798-1	DETENT PIN	247
1-22279-3	SPRING, COMPRESSION	246
2119758-1	RAM, AMP STYLE, SIDE FEED, NON-ADJ.	245
2119082-1	CAM, SNAIL, INSULATION ADJUSTMENT	244
2079764-1	WASHER, WAVE SPRING, CREST-TO-CREST	243

SUPERSEDED BY 2151488-7
 SUPERSEDED BY 2151488-6
 SUPERSEDED BY 2151488-5
 SUPERSEDED BY 2151488-2
 SUPERSEDED BY 2151488-1

REV	DATE	OWN	APVD
A	28SEP2011	CAM	TLE
A1	21AUG2012	CAM	TE
A2	07SEP2012	CAM	TE

ITEM NO	DESCRIPTION	ITEM NO
-77	-7	-6
-5	-2	-1
2119083-1	RETAINER, INSULATION DIAL	242
18023-1	SCR, SKT HD CAP M3 X 5.0	241
2168400-6	SHCS, LOW HEAD, RoHS, M5 X 16	240
2119580-1	MECHANICAL FEED ASSEMBLY	239
2063440-1	AIR FEED MODULE	238
356885-4	STOP, SHEAR	237
2119740-2	TAG, IDENTIFICATION	213
1901094-3	SPACER, FEEDER	198
21045-3	RING, RETAIN, EXTERN, 3/16 CRESCENT	172
994969-1	MAGNET, RARE EARTH HIGH ENERGY	166
240638-1	SPRING, FEED FINGER	163
3-23627-7	PIN, RETAIN, GRVD, 3/16 X .854	137
2119799-1	HOLDER, FEED FINGER, AF	136
REF REF	SEE TABLE	135
1633743-1	SERVO FEED LATCH ASM	133
1-22281-8	SPRING, COMPRESSION	121
690438-1	FRONT STRIP GUIDE	96
2168083-1	SCR, SKT HD CAP, RoHS, M3 X 8.0	95
2168083-6	SCR, SKT HD CAP, RoHS, M5 X 65	93
455888-6	SPACER, CRIMPER	82
240641-2	SPACER	81
2119956-1	DOCUMENTATION PACKAGE	71
2119740-1	TAG, IDENTIFICATION	67
2168078-1	SCREW, DRIVE, RH, RoHS, 2 x .188	66
2119793-1	LIMITER, ADJUSTMENT BOLT	63
992763-5	SCR, SET, SOC, CONE POINT, M3 x 4.0	62
2-18032-5	SCR, SET, FLT POINT M5 X 20.0	61
2079383-4	SCR, BHSC, RoHS (M4 X 8)	60
5-18022-5	SCR, HEX HD CAP, M4 X 6.0	59
1338683-1	FEED PAWL	56
2168400-1	SHCS, LOW HEAD, RoHS, M4 X 12	54
1-18023-3	SCR, SKT HD CAP M4 X 16.0	53
18023-9	SCR, SKT HD CAP M4 X 6.0	49
2119652-1	FEED CAM, PRE FEED	48
2119653-1	FEED CAM, POST FEED	47
2119656-9	APPLICATOR BASIC ASSEMBLY, SF	46
2119370-1	RAM, AMP STYLE, SIDE FEED	44
2079383-7	SCR, BHSC, RoHS (M8 X 25)	41
2119645-1	DISC, NUMBERED FA WIRE ADJUSTMENT	40
2119957-1	APPLICATOR SHIM PACK	39
2119644-1	RAM WASHER, PRECISION	38
2119085-1	FA HEAD, ATLANTIC STYLE	37
2119092-1	BOLT, ADJUSTMENT	35
2161328-1	HEX HEAD, FLANGED, M5 x 8mm LONG	31
1901091-1	PLATE, REAR STRIP GUIDE	29
1-455888-0	SPACER, CRIMPER	28
22283-1	SPRING, COMPRESSION	27
356835-1	LEVER, DRAG RELEASE	26
240792-1	DRAG, TERMINAL	25
189124-7	GUIDE, FRONT STRIP	24
980371-4	SCR, SKT HD SHLDR 5.0 DIA X 6.0	23
2168083-2	SCR, SKT HD CAP, RoHS, M4 X 8.0	21
1-18028-2	WASHER, FLAT, REG M4	20
2119533-1	STRIPPER, SIDE FEED	19
690518-1	HOLD DOWN, TERMINAL	18
690463-1	FLOATING SHEAR, REAR	17
1-2168083-1	SCR, SKT HD CAP, RoHS, M3 X 6	16
1-690691-3	PLATE, REAR SHEAR	15
2119862-1	SHEAR HOLDER, REAR	14
2119806-1	INSERT, SHEAR	13
3-22280-3	SPRING, COMPRESSION	12
356885-5	STOP, SHEAR	11
2119805-1	SHEAR HOLDER, FRONT	10
462006-6	FLOATING SHEAR, FRONT	9
4-1633139-8	ANVIL, COMBINATION	8
1-240641-1	SPACER	7
690468-2	DEPRESSOR SHEAR, REAR	6
2119757-4	DEPRESSOR, SHEAR	5
2-238011-2	BLOCK, CRIMPER SPACER	4
2119784-5	CRIMPER, INSULATION O PREMIUM	3
455888-7	SPACER, CRIMPER	2
2-1633730-7	CRIMPER, WIRE	1

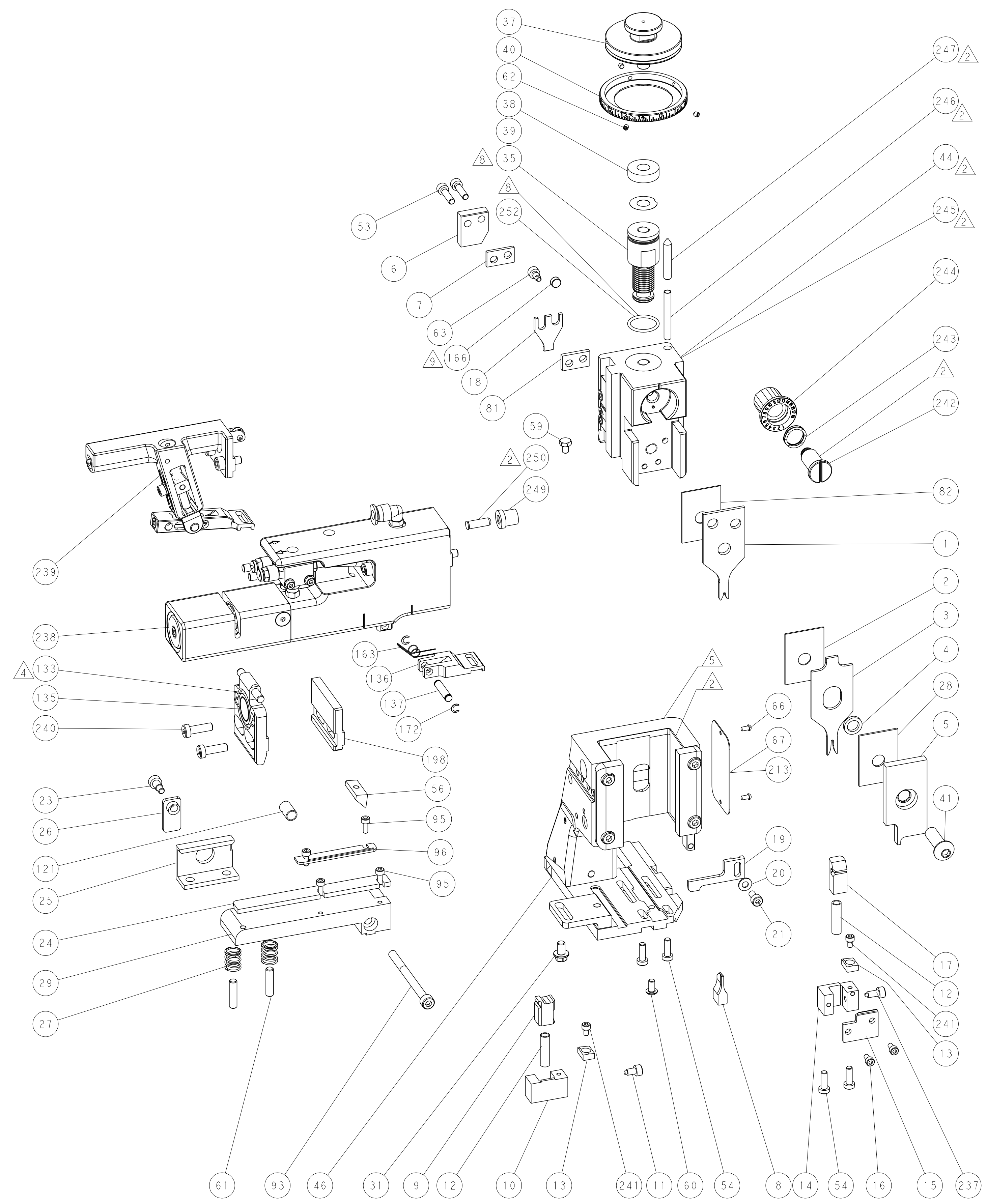
THIS DRAWING IS A CONTROLLED DOCUMENT.

OWN: G. HOFFNER 12JAN2011
 CHK: G. BAILEY 13JAN2011
 APVD: G. BAILEY 13JAN2011

TE Connectivity
 Ocean Side Feed Atlantic Style Applicator

SIZE: A1 00779C=2151004
 SCALE: 1:2 SHEET 1 OF 2 REV A2

LOC		DIST		REVISIONS			
A	66	P	LYR	DESCRIPTION	DATE	OWN	APVD
		-		SEE SHEET 1			



THIS DRAWING IS A CONTROLLED DOCUMENT.		OWN G. HOFFNER 12 JAN 2011	NAME Ocean Side Feed Atlantic Style Applicator	
DIMENSIONS: mm		CHK G. BAILEY 13 JAN 2011	RESTRICTED TO	
TOLERANCES UNLESS OTHERWISE SPECIFIED: 0 PLC ±.5 1 PLC ±0.5 2 PLC ±0.13 3 PLC ±0.013 4 PLC ±0.001 ANGLES ±.0001		APVD G. BAILEY 13 JAN 2011	SIZE A100779C=2151004	
MATERIAL		PRODUCT SPEC	SCALE 1:2 SHEET 2 OF 2 REV A2	
		APPLICATION SPEC	Customer Accessible Production Drawing	
		WEIGHT		