

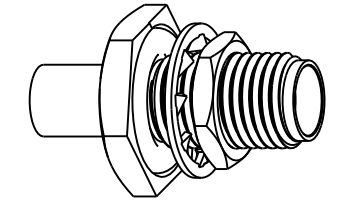
NOTES:

1. MATERIALS AND FINISHES:
 BODY & LOCKWASHER - STAINLESS STEEL (TYPE 303 COND A, ASTM A 582), GOLD PLATING (.000030 THICK MIN)
 HEX NUT - STAINLESS STEEL, GOLD PLATING (.000030 THICK MIN)
 CONTACT - Be Cu (ASTM B 196, C17300 TD04), GOLD PLATING (.000050 THICK MIN)
 O-RING - SILICONE RUBBER
 INSULATOR - PTFE
2. ELECTRICAL:
 A. IMPEDANCE: 50 OHM
 B. FREQUENCY RANGE: DC - 18X GHz
 C. DIELECTRIC WITHSTANDING VOLTAGE: 1000 VRMS, MIN.
3. MECHANICAL:
 A. DURABILITY: 500 CYCLES MIN.
 B. TEMPERATURE RANGE: -65° C TO +165° C
4. PACKAGING:
 A. QUANTITY: SINGLE PACK
 B. MARKING: BAG TO BE MARKED
 "AMPHENOL, 901-9210-1, AND DATE CODE"

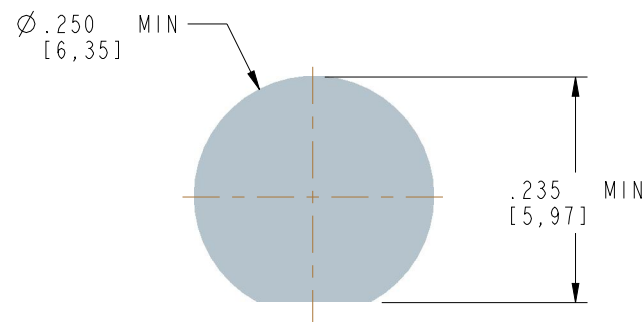
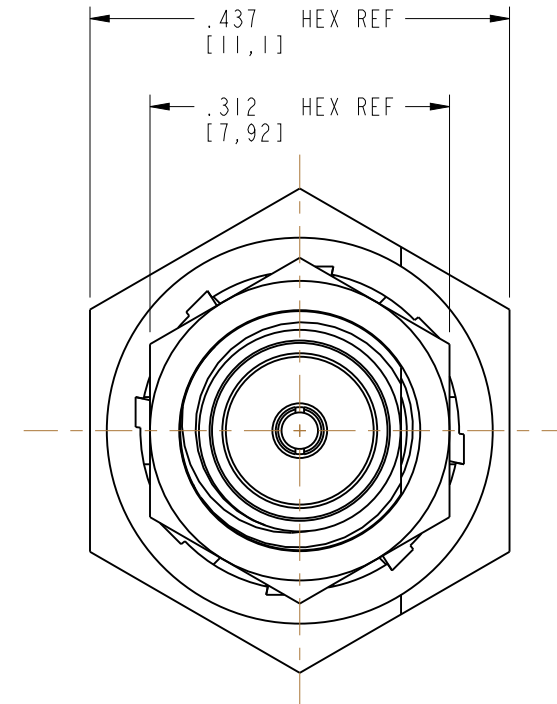
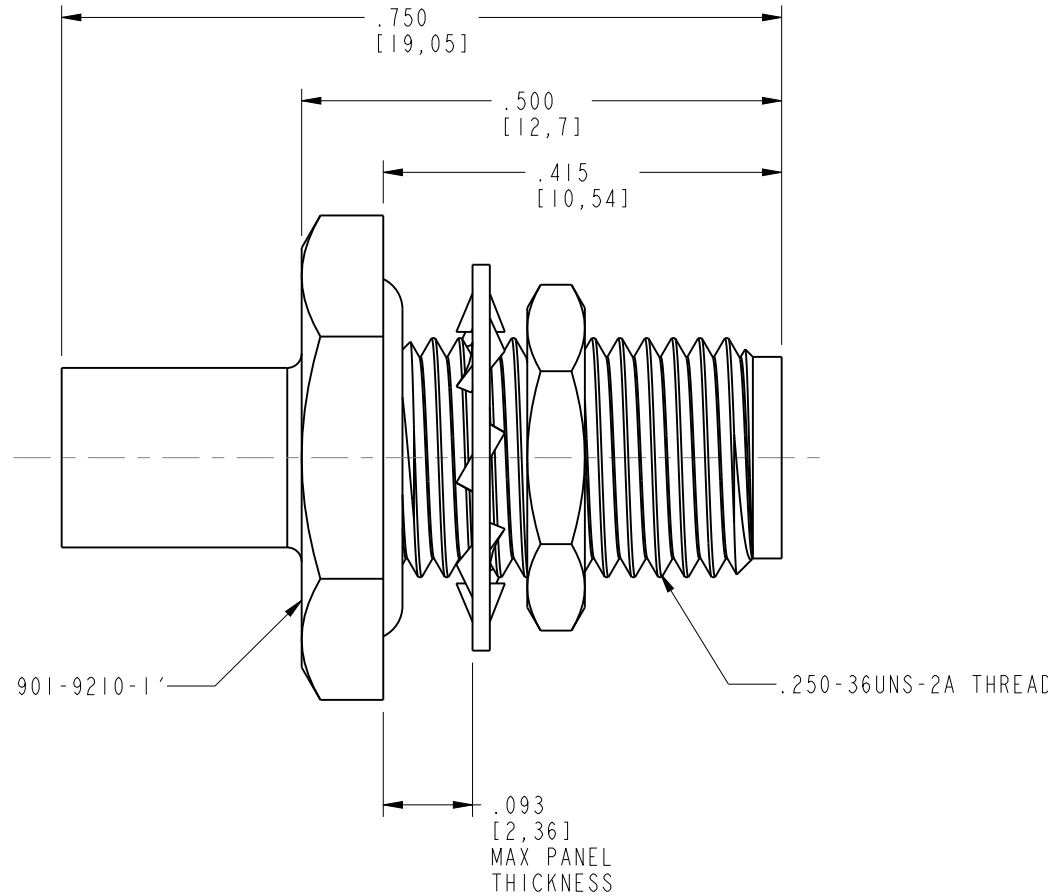
THIRD ANGLE PROJ.

REVISIONS

REV	DESCRIPTION	DATE	ECO	APPR
--	RELEASE TO MFG	-----	-----	-----
K	CHG'D PLATE ON LOCKWASHER & ADD COD	12/15/10	48366	CPM



SCALE 2.000



RECOMMENDED MOUNTING HOLE DETAIL SCALE 5.000

CUSTOMER OUTLINE DRAWING

ALL OTHER SHEETS ARE FOR INTERNAL USE ONLY

UNLESS OTHERWISE SPECIFIED, DIMENSIONS ARE IN METRIC AND TOLERANCES ARE: 0.5 - 6mm ±0.1mm 6 - 30mm ±0.2mm 30 - 120mm ±0.3mm ANGLES ±1°	MATERIAL	DRAWN C. McGRATH	DATE 02-Dec-10	TITLE ASSEMBLY SMA, JACK		Amphenol RF Danbury CT USA, Tainan, Taiwan, Shenzhen, China www.amphenolrf.com	
	REFERENCE EAR # AND	ENGINEER K. CAPOZZI	DATE 02-Dec-10				
NOTICE - These drawings, specifications, or other data (1) are, and remain the property of Amphenol corp. (2) must be returned upon request; and (3) are confidential and not to be disclosed to any person other than those to whom they are given by Amphenol Corp. the finishing of these drawings, specifications, or other data by Amphenol Corp., or to any other person to anyone for any purpose is not to be regarded by implication or otherwise in any manner licensing, granting rights to permitting such holder or any other sperson to manufacture, use or sell any product, process or design, patented or otherwise, that may in any way be related to or disclosed by said drawings, specifications, or other data.	CONFIGURATION LEVEL:	APPROVED	DATE	SCALE: 3.0:1.0	SHEET 2 OF 2	ITEM NO. 901-9210-1	
	FINISH	Root Folder/SMA/901-9210-1	DWG SIZE B	CODE ID 74868	REV	PART NO. 901-9210-1	