

LEVA IN POSIZIONE CHIUSA
(LEVER IN CLOSED POSITION)

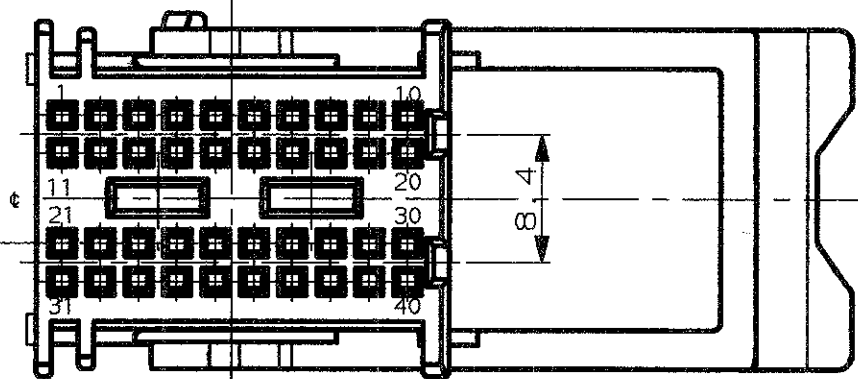
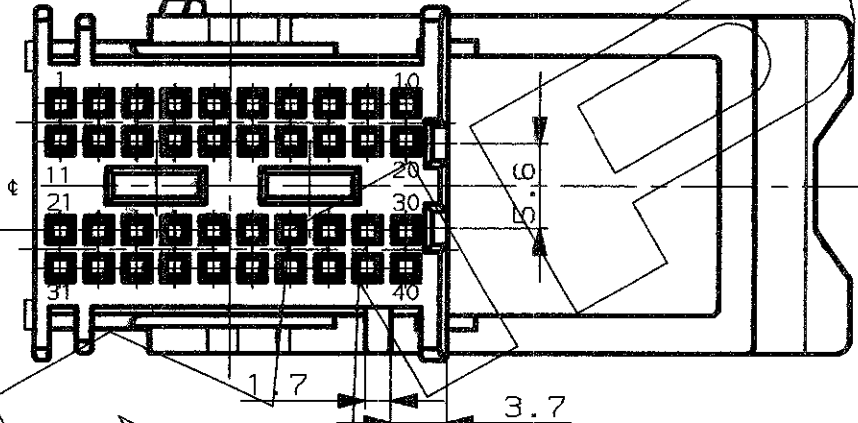
LEVA IN POSIZIONE APERTA
(LEVER IN OPEN POSITION)

NOTE

- 1) CORAZZA 40 VIE IN PA6.6 CARICATO VETRO PER COLORI VEDERE FOGLIO 2/2 (SHELL 40 POS. IN PA6.6 GLASS FILLED FOR COLOR SEE SHEET 2/2)
 - 2) LEVA IN PA6.6 CARICATO VETRO COLORE ROSSO (LEVER IN PA6.6 GLASS FILLED COLOR RED)
 - 3) IL PRODOTTO VIENE FORNITO CON LEVA IN POSIZIONE CHIUSA (THE PRODUCT IS SUPPLIED WITH LEVER IN CLOSED POSITION)
 - 4) N°1 CORAZZA + N°2 BLOCCHETTI SONO FORNITI IN KIT SECONDO TABELLA FOGLIO 2/4 CON PARI NUMERO DI PEZZI PER SCATOLA (N°1 SHELL + N° 2 HOUSINGS ARE SUPPLIED IN KIT ACCORDING TO TABLE SHEET 2 /4 WITH EQUIVALENT NUMBER OF PIECES FOR EACH COMPONENT IN A BOX)
- 1 COME MOSTRATO (-1 AS SHOWN)

DISTRIBUZIONE (PRINT DIST.)

				CUSTOMER DRAWING FOR REFERENCE ONLY		DISEGNO PER CLIENTE SOLO PER RIFERIMENTO	
				THIS DRAWING IS UNPUBLISHED		RELEASE FOR PUBLICATION 19	
				© COPYRIGHT 19 BY AMP INCORPORATED, HARRISBURG, PA. ALL INTERNATIONAL RIGHT RESERVED. AMP PRODUCTS MAY BE COVERED BY U.S. AND FOREIGN PATENT AND/OR PATENT PENDING			
				TOLLERANZE: SE NON DIVERSAMENTE SPECIFICATO (TOLERANCES, UNLESS OTHERWISE SPECIFIED)		MATERIALE (FINISH) FINITURA (FINISH) SCALA (SCALE)	
				± 0.3		VEDERE NOTE (SEE NOTES) VEDERE NOTE (SEE NOTES) 2:1	
				ANGOLI (ANGLES) ± 2°		AMP AMP ITALIA S.p.A. Corso F.lli Cervi, 15 COLLEGNO (TORINO)	
A3 ADDED N.4 INTERNAL RIBS G.S. 0155-00 07-08 00				DIS. O.CANUTO (DR.) 22 SEPT.98		DESCRIZIONE (DESCRIPTION) CONNECTOR 20+20 POS 2.54 mm PITCH (KIT)	
A2 RELEASED FOR PRODUCTION G.S. 0282-99 24-09 99				CONT. A.GENTA (CHK) 22 SEPT.98		LOC. SIZE NUMERO (DWG NO) REV. FOGLIO (SHEET)	
A1 AGGIUNTI P/NS COMPONENTI (ADDED P/NS OF COMPONENTS) O.C. 0309-98 29-10 1998				APP. A.BRUNI (APP.) 22 SEPT.98		I A3 C-284229 A3 1 DI (OF) 4	
A FIRST ISSUE WAS 97-51238 O.C. 0272-98 22-9 1998				REVISIONI (REVISION RECORD) DIS. (DR) E.C.N. DATA (DATE)			

P/N	RAPPRESENTAZIONE GRAFICA DELLE POLARIZZAZIONI (CODING KEY DETAIL)	COLORE (COLOR)	HOUSING CRIMP P/N	CONTROPARTE (COUNTERPART)
284229-1		NERO (BLACK)	VIE 21-40 (POS. 21-40) N°1 COLORE NERO (COLOR BLACK)	97-23135-1
284229-2		BLU (BLUE)	VIE 1-20 (POS. 1-20) N°1 COLORE GRIGIO (COLOR GRAY)	97-23135-4
			VIE 1-20 (POS. 1-20) N°1 COLORE NATURALE (COLOR NATURAL)	
			VIE 21-40 (POS. 21-40) N°1 COLORE BLU (COLOR BLUE)	

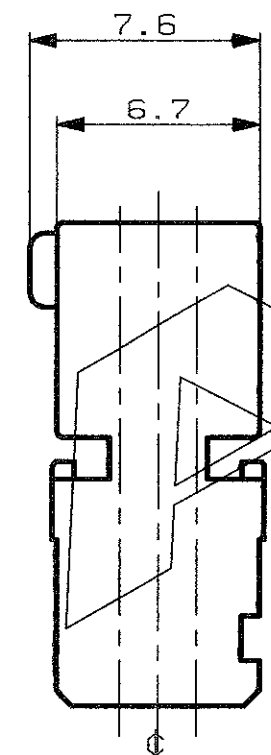
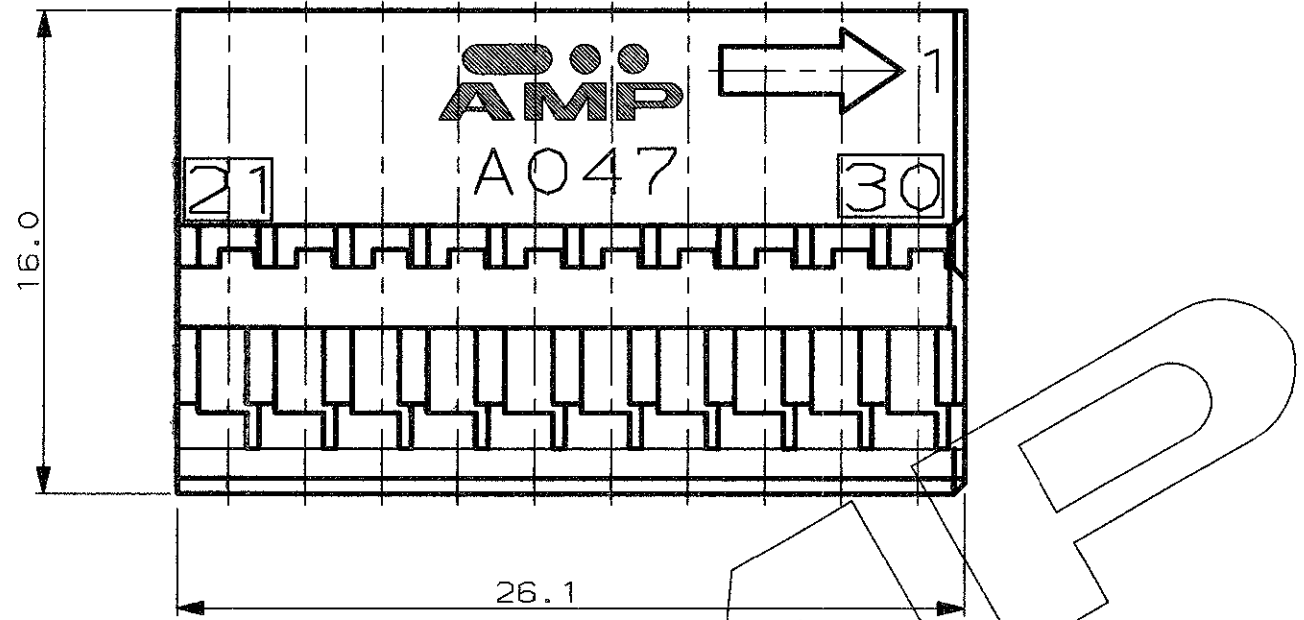
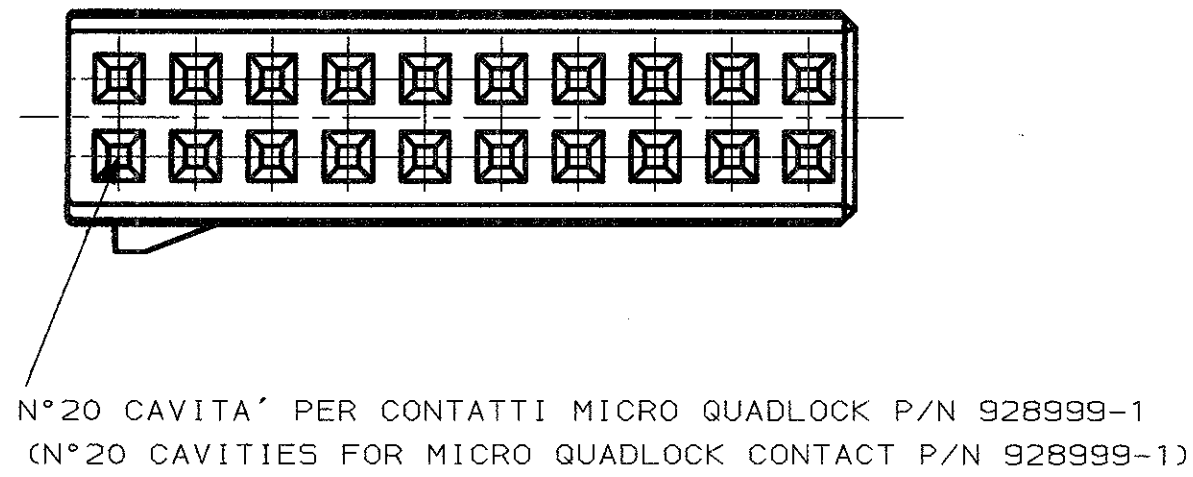
CUSTOMER DRAWING FOR REFERENCE ONLY		DISEGNO PER CLIENTE SOLO PER RIFERIMENTO	
THIS DRAWING IS UNPUBLISHED		RELEASE FOR PUBLICATION	
© COPYRIGHT 19 BY AMP INCORPORATED, HARRISBURG, PA. ALL INTERNATIONAL RIGHTS RESERVED. AMP PRODUCTS MAY BE COVERED BY U.S. AND FOREIGN PATENT AND/OR PATENT PENDING			
TOLLERANZE, SE NON DIVERSAMENTE SPECIFICATO (TOLERANCES, UNLESS OTHERWISE SPECIFIED)	MATERIALE (MATERIAL)	FINITURA (FINISH)	SCALA (SCALE)
± 0.3	/	/	4:1
ANGOLI (ANGLES)	AMP ITALIA S.p.A. Corso F. LLI Cervi, 15 COLLEGNO (TORINO)		
DIS. O. CANUTO (DR.)	DESCRIZIONE (DESCRIPTION)		
22 SEPT. 98	CONNECTOR 20+20 POS 2.54 mm PITCH (KIT)		
CONT. A. GENTA (CHK)	LOC.	SIZE	NUMERO (DWG NO)
22 SEPT. 98	I	A3	C-284229
APP. A. BRUNI (APP.)	REV.	FOGLIO (SHEET)	
22 SEPT. 98	A3	2	DI (OF) 4
REV. (REV.)	REVISIONI (REVISION RECORD)	DIS. (DR)	E.C.N. DATA (DATE)

VEDERE FOGLIO 1011A
(SEE SHEET 1011A)

SCALA NON IMPEGNATIVA
(DO NOT SCALE)
DIMENSIONI IN mm
(DIMENSIONS IN)

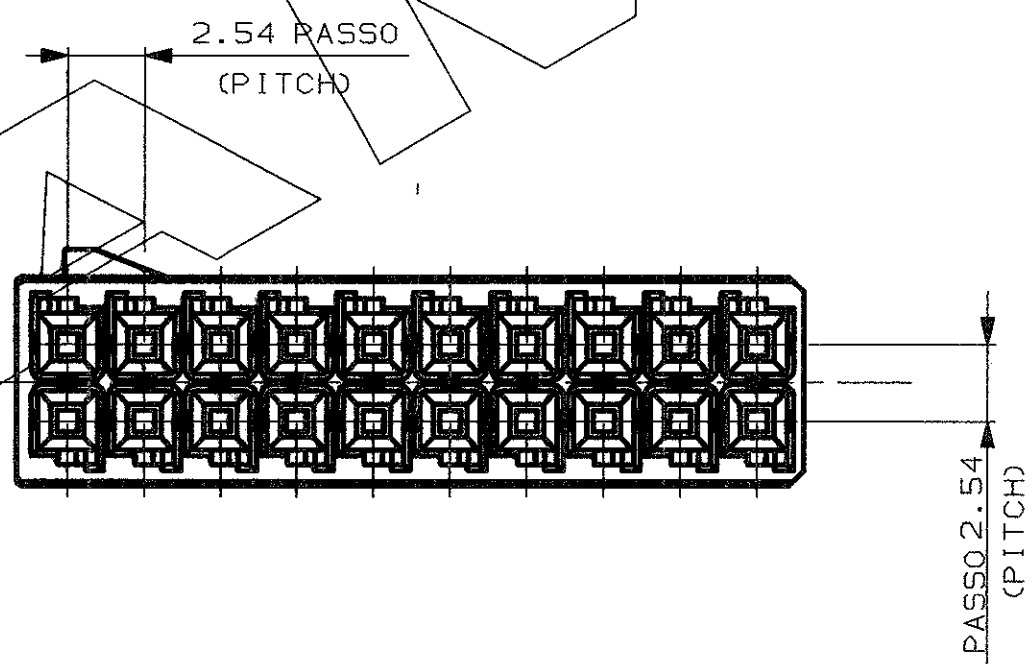
METRIC

PROIEZIONE EUROPEA
(EUROPEAN PROJECTION)



NOTE

1 BLOCCHETTO 20 VIE IN PA 6.6 CARICATO VETRO PER COLORI E POLARIZZAZIONI VEDERE FOGLIO 4/4
(HOUSING 20 POS. IN PA6.6 GLASS FILLED FOR COLOR AND CODINGS SEE SHEET 4/4)



POLARIZZAZIONE NERA COME MOSTRATO
(BLACK CODING AS SHOWN)

CUSTOMER DRAWING FOR REFERENCE ONLY DISEGNO PER CLIENTE SOLO PER RIFERIMENTO

THIS DRAWING IS UNPUBLISHED - RELEASE FOR PUBLICATION 19

© COPYRIGHT 19 BY AMP INCORPORATED, HARRISBURG, PA. ALL INTERNATIONAL RIGHT RESERVED. AMP PRODUCTS MAY BE COVERED BY U.S. AND FOREIGN PATENT AND/OR PATENT PENDING

TOLLERANZE: SE NON DIVERSAMENTE SPECIFICATO (TOLERANCES: UNLESS OTHERWISE SPECIFIED)	MATERIALE (MATERIAL)	FINITURA (FINISH)	SCALA (SCALE)
± 0.3	1	1	4:1

ANGOLI (ANGLES)	± 2°	AMP AMP ITALIA S.p.A. Corso F. LLI Carvi, 15 COLLEGNO (TORINO)	
-----------------	------	---	--

DIS. O. CANUTO (DR.)	22 SEPT. 98	DESCRIZIONE (DESCRIPTION)	CONNECTOR 20+20 POS. 2.54 mm PITCH (KIT)
CONT. A. GENTA (CHK)	22 SEPT. 98	LOC. SIZE	I A3

APP. A. BRUNI (APP.)	22 SEPT. 98	NUMERO (DWG NO)	C-284229	REV.	A3	FOGLIO (SHEET)	3	DI (OF)	4
----------------------	-------------	-----------------	----------	------	----	----------------	---	---------	---

REV.	REVISIONI (REVISION RECORD)	DIS. (DR)	E.C.N.	DATA (DATE)

VEDERE FOGLIO 1/4
(SEE SHEET 1/4)

DISTRIBUZIONE (PRINT/DIST.)

SCALA NON IMPEGNATIVA
(DO NOT SCALE)
DIMENSIONI IN mm
(DIMENSIONS IN)

METRIC

PROIEZIONE EUROPEA
(EUROPEAN PROJECTION)

RAPPRESENTAZIONE GRAFICA DELLE POLARIZZAZIONI (CODING KEY DETAIL)	COLORE (COLOR)	VIE (POSITIONS)	CORAZZA (SHELLS)
	NERO (BLACK)	VIE 21-40 (POS. 21-40) P/N 284150-1	COLORE NERO (COLOR BLACK) P/N 284152-1
	GRIGIO (GRAY)	VIE 1-20 (POS. 1-20) P/N 284150-2	
	NATURALE (NATURAL)	VIE 1-20 (POS. 1-20) P/N 284150-3	
	BLU (BLUE)	VIE 21-40 (POS. 21-40) P/N 284150-4	COLORE BLU (COLOR BLUE) P/N 284152-2

CUSTOMER DRAWING FOR REFERENCE ONLY		DISEGNO PER CLIENTE SOLO PER RIFERIMENTO	
THIS DRAWING IS UNPUBLISHED		RELEASE FOR PUBLICATION 19	
© COPYRIGHT 19 BY AMP INCORPORATED, HARRISBURG, PA. ALL INTERNATIONAL RIGHT RESERVED. AMP PRODUCTS MAY BE COVERED BY U.S. AND FOREIGN PATENT AND/OR PATENT PENDING			
TOLLERANZE: SE NON DIVERSAMENTE SPECIFICATO (TOLERANCES: UNLESS OTHERWISE SPECIFIED)	MATERIALE (MATERIAL)	FINITURA (FINISH)	SCALA (SCALE)
± 0.3	/	/	2:1
ANGOLI (ANGLES)	AMP AMP ITALIA S.p.A. Corso F. LLI Cervi, 15 COLLEGNO (TORINO)		
DIS. O. CANUTO (DR.)	DESCRIZIONE (DESCRIPTION)		
22 SEPT. 98	CONNECTOR 20+20 POS 2.54 mm PITCH (KIT)		
CONT. A. GENTA (CHK)	LOC.	SIZE	NUMERO (DWG NO)
22 SEPT. 98	I	A3	C-284229
APP. A. BRUNI (APP.)	REV.	FOGLIO (SHEET)	
22 SEPT. 98	A3	4 OF 4	
REV. (REV. LTR.)	REVISIONI (REVISION RECORD)	DIS. (DR)	E.C.N. DATA (DATE)

DISTRIBUZIONE
(PRINT DIST.)

VEDERE FOGLIO 1
(SEE SHEET 1)