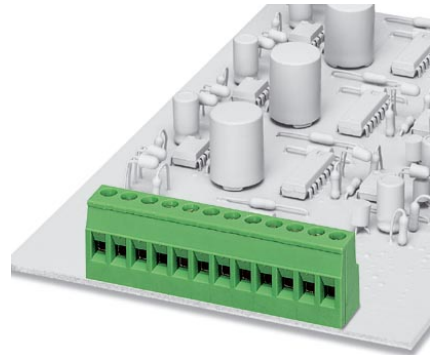


## EMKDS 2,5/10-5,08

Order No.: 1730696

The illustration shows a 12-position version

<http://eshop.phoenixcontact.de/phoenix/treeViewClick.do?UID=1730696>

PC terminal block, Nominal current: 12 A, Nom. voltage: 250 V,  
Pitch: 5.08 mm, Number of positions: 10, Type of connection: Screw  
connection, Assembly: Press-in, Conductor/PCB connection direction:  
0 °, Color: green

### Commercial data

|                          |                   |
|--------------------------|-------------------|
| EAN                      | 4017918116002     |
| Pack                     | 50 pcs.           |
| Customs tariff           | 85369010          |
| Weight/Piece             | 0.02071 KG        |
| Catalog page information | Page 19 (CC-2005) |

### Product notes

WEEE/RoHS-compliant since:  
01/01/2003



[http://  
www.download.phoenixcontact.com](http://www.download.phoenixcontact.com)  
Please note that the data given  
here has been taken from the  
online catalog. For comprehensive  
information and data, please refer  
to the user documentation. The  
General Terms and Conditions of  
Use apply to Internet downloads.

### Technical data

#### Dimensions / positions

|                     |         |
|---------------------|---------|
| Pitch               | 5.08 mm |
| Number of positions | 10      |
| Pin dimensions      | 1,4 mm  |
| Hole diameter       | 1.45 mm |

|                        |        |
|------------------------|--------|
| Screw thread           | M3     |
| Tightening torque, min | 0.5 Nm |
| Tightening torque max  | 0.6 Nm |

**Technical data**

|                                    |                     |
|------------------------------------|---------------------|
| Insulating material group          | I                   |
| Rated surge voltage (III/3)        | 2.5 kV              |
| Rated surge voltage (III/2)        | 2.5 kV              |
| Rated surge voltage (II/2)         | 2.5 kV              |
| Rated voltage (III/2)              | 320 V               |
| Rated voltage (II/2)               | 630 V               |
| Connection in acc. with standard   | EN-VDE              |
| Nominal current $I_N$              | 12 A                |
| Nominal voltage $U_N$              | 250 V               |
| Nominal cross section              | 2.5 mm <sup>2</sup> |
| Maximum load current               | 12 A                |
| Insulating material                | PA                  |
| Inflammability class acc. to UL 94 | V0                  |
| Internal cylindrical gage          | A3                  |
| Stripping length                   | 8 mm                |

**Connection data**

|  |                      |
|--|----------------------|
| Conductor cross section solid min.   | 0.14 mm <sup>2</sup> |
| Conductor cross section solid max.   | 2.5 mm <sup>2</sup>  |
| Conductor cross section stranded min.                                      | 0.14 mm <sup>2</sup> |
| Conductor cross section stranded max.                                      | 2.5 mm <sup>2</sup>  |
| Conductor cross section stranded, with ferrule without plastic sleeve min. | 0.25 mm <sup>2</sup> |
| Conductor cross section stranded, with ferrule without plastic sleeve max. | 2.5 mm <sup>2</sup>  |
| Conductor cross section stranded, with ferrule with plastic sleeve min.    | 0.25 mm <sup>2</sup> |
| Conductor cross section stranded, with ferrule with plastic sleeve max.    | 1.5 mm <sup>2</sup>  |
| Conductor cross section AWG/kcmil min.                                     | 26                   |
| Conductor cross section AWG/kcmil max                                      | 16                   |
| 2 conductors with same cross section, solid min.                           | 0.14 mm <sup>2</sup> |
| 2 conductors with same cross section, solid max.                           | 0.75 mm <sup>2</sup> |

|   |                      |
|---|----------------------|
| 2 conductors with same cross section, stranded min.                                     | 0.14 mm <sup>2</sup> |
| 2 conductors with same cross section, stranded max.                                     | 0.75 mm <sup>2</sup> |
| 2 conductors with same cross section, stranded, ferrules without plastic sleeve, min.   | 0.25 mm <sup>2</sup> |
| 2 conductors with same cross section, stranded, ferrules without plastic sleeve, max.   | 0.5 mm <sup>2</sup>  |
| 2 conductors with same cross section, stranded, TWIN ferrules with plastic sleeve, min. | 0.5 mm <sup>2</sup>  |
| 2 conductors with same cross section, stranded, TWIN ferrules with plastic sleeve, max. | 1.5 mm <sup>2</sup>  |

### Certificates / Approvals



Certification

CSA, CUL, GOST, UL

#### CSA

|                       |       |
|-----------------------|-------|
| Nominal voltage $U_N$ | 300 V |
| Nominal current $I_N$ | 10 A  |
| AWG/kcmil             | 28-12 |

#### CUL

|                       |       |
|-----------------------|-------|
| Nominal voltage $U_N$ | 300 V |
| Nominal current $I_N$ | 10 A  |
| AWG/kcmil             | 30-12 |

#### UL

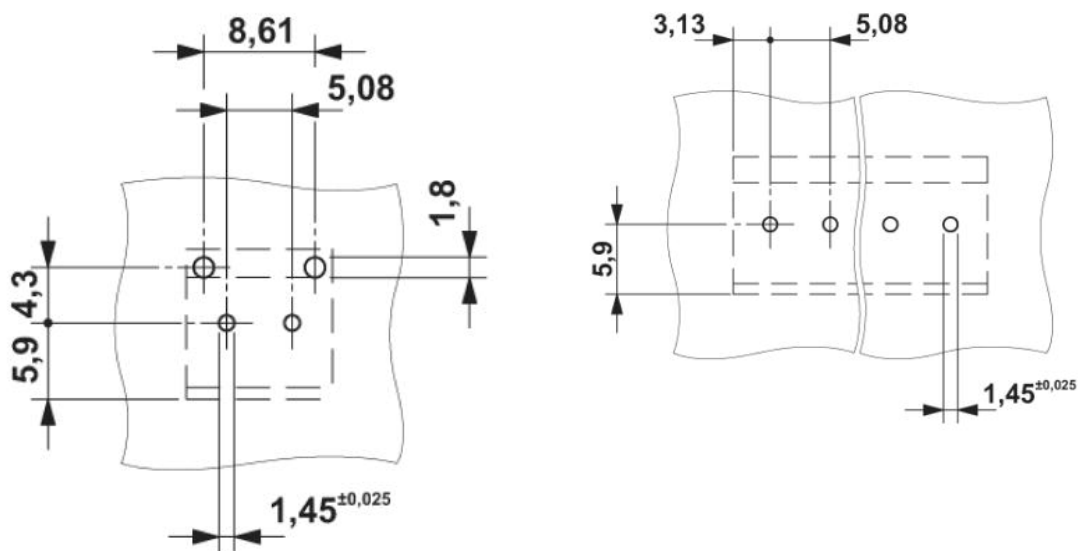
|                       |       |
|-----------------------|-------|
| Nominal voltage $U_N$ | 300 V |
| Nominal current $I_N$ | 10 A  |
| AWG/kcmil             | 30-12 |

**Accessories**

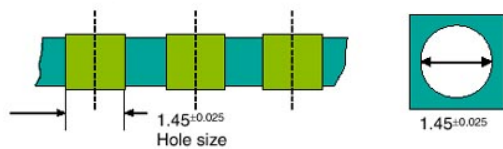
| Item           | Designation              | Description  |
|----------------|--------------------------|--|
| <b>Marking</b> |                          |  |
| 0804293        | SK 5,08/3,8:FORTL.ZAHLEN | Marker card, printed horizontally, self-adhesive, 12 identical decades marked 1-10, 11-20 etc. up to 91-(99)100, sufficient for 120 terminal blocks  |
| <b>Tools</b>   |                          |  |
| 1205053        | SZS 0,6X3,5              | Screwdriver, bladed, matches all screw terminal blocks up to 4.0 mm <sup>2</sup> connection cross section, blade: 0.6 x 3.5 mm, without VDE approval |

**Diagrams/Drawings**

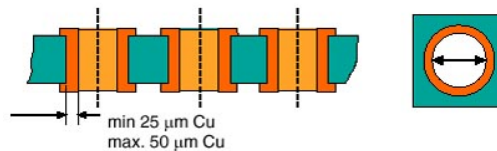
Drilling plan/solder pad geometry



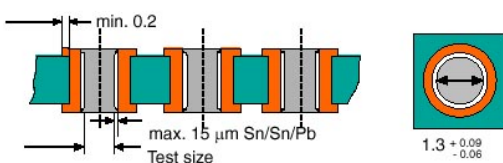
**Bore hole in the basic material,**  
 mostly epoxy glass fabric FR4 or EP-GC



**Bore hole with Cu ferrule**

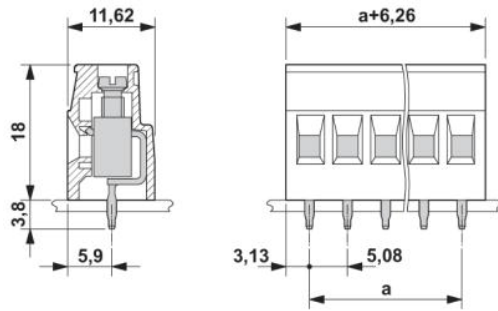


**Plated-through bore hole with Sn/SnPb**



Dimensioned drawing

---



**Address**

PHOENIX CONTACT Deutschland GmbH  
Flachmarktstr. 8  
32825 Blomberg, Germany  
Phone +49 5235 3 12000  
Fax +49 5235 3 41200  
<http://www.phoenixcontact.de>



© 2010 Phoenix Contact  
Technical modifications reserved;