

ISS.	DATE	E.C.N.	DESCRIPTION
1	02-May-12		FIRST ISSUE
2	11-Feb-04	2/4/1133	EDGE DRAFT INCREASED TO 3°
3	15-Jan-07	1/07/1199	SCALLOP SIZE INCREASED TO R3.75
4	19-May-11	05/11/1301	TIR CURVE DEFINITION REPLACED WITH EQUATION
4A	03-July-12	07/12/1339	REFINE $\varnothing$ 25 DIM. TO REF APPLY NAMING CONVENTION

## CUSTOMER DRAWING

CARCLO TECHNICAL PLASTICS (SLOUGH)  
111 BUCKINGHAM AVE, SLOUGH  
SL1 4PF, ENGLAND

TEL: +44 1753 575011 FAX: +44 1753 811359  
e-mail: design@carclo-optics.com}

### GENERAL TOLERANCES (UNLESS STATED)

LINEAR	ANGULAR
X +/- 0.25	X +/- 1°
X.X +/- 0.1	X.X +/- 0.5°
X.XX +/- 0.05	X.XX +/- 0.1°

CUSTOMER

CARCLO

TITLE

$\varnothing$  26.5mm PLAIN TIGHT TIR OPTIC

DRAWN

AJD

DATE

03-Feb-04

CHK'D

ADC

DATE

24-Apr-12

APP'D

MB

DATE

21-May-12

SCALE

2:1

CARCLO PART No.

10048

SIZE

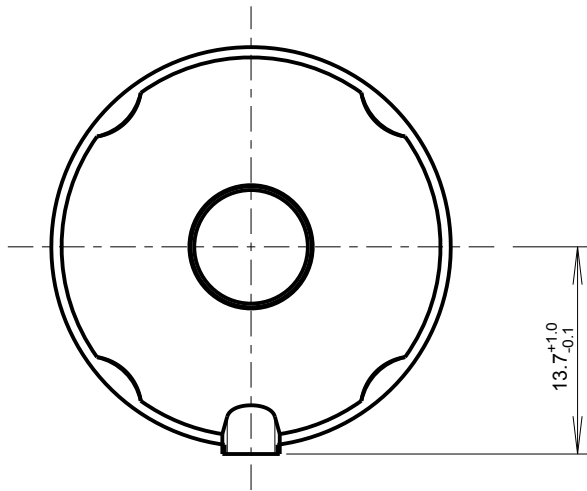
A4

CARCLO DRG. No.

60367

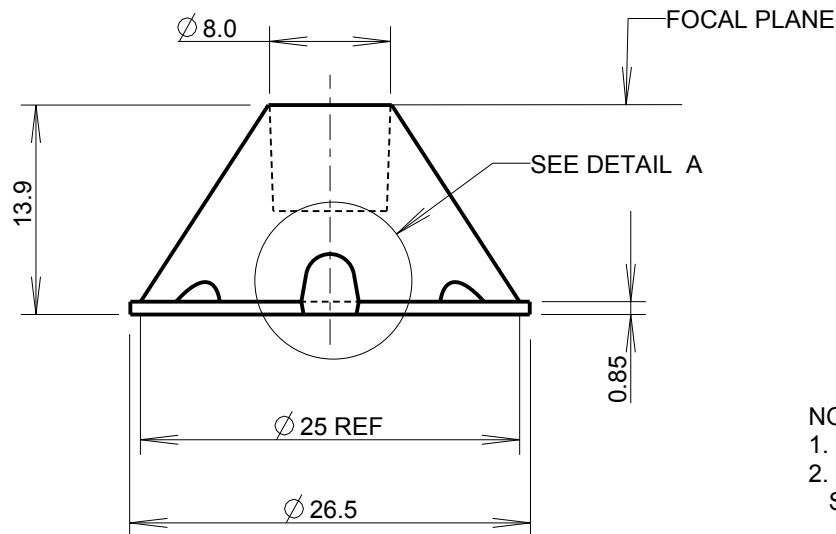
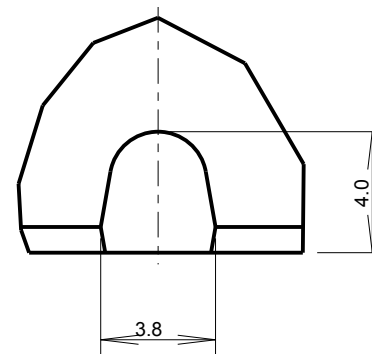
SHEET

2 OF 2



SCALE 1:1  
GENERAL VIEW

DETAIL A  
SCALE 4:1



- NOTES:  
1. MATERIAL: POLYCARBONATE  
2. SIMPLIFIED GEOMETRY SHOWN. NOT  
SUITABLE FOR OPTICAL RAYTRACE