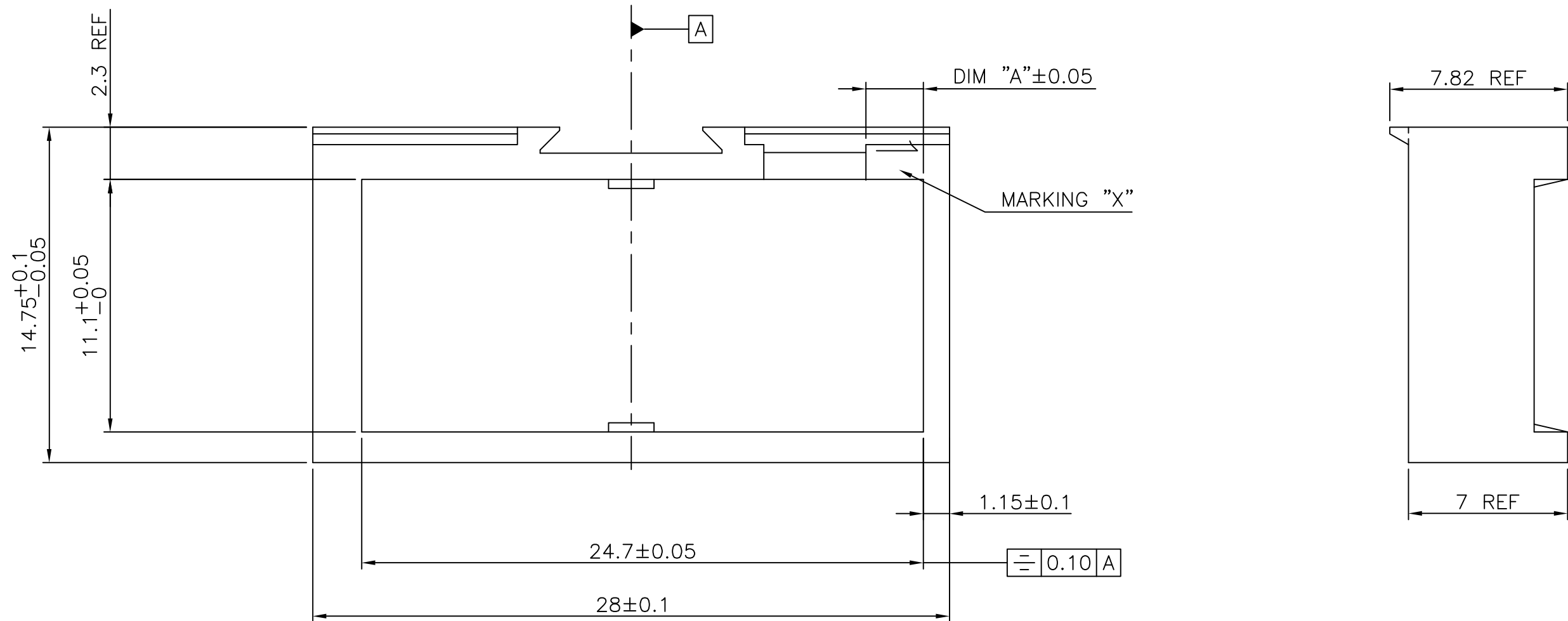


PRODUCT NUMBER	COLOR	MARKING "X"	DIM "A"
65184-001	BLACK	1	2.53
65184-004	BLACK	4	17.95
65184-011	GREY	1	2.53
65184-014	GREY	4	17.95

MATERIAL: MODIFIED POLYPHENYLENE OXYDE
 FLAME RETARDANT PER UL 94 V1
 COLOR: BLACK OR GREY.



NOTES:-

1. THIS PRODUCT MEETS EUROPEAN UNION DIRECTIVES AND OTHER COUNTRY REGULATIONS AS DESCRIBED IN GS-22-008.
2. LEADFREE OR RoHS DIRECTIVE LABELLING TO BE PROVIDED AS PER GS-14-920.
3. " LF " SUFFIX TO PRODUCT NUMBER FOR RoHS COMPATIBLE/ LEADFREE VERSION.
4. PARTS WITH AND WITHOUT "LF " SUFFIX ARE FORM-FIT AND FUNCTIONALLY IDENTICAL. " LF " SUFFIX PROVIDED FOR PART NUMBER STANDARDISATION OF PART THAT MEETS RoHS REQUIREMENTS.

mat'l. code		surface		tolerance		projection		product family	
SEE NOTE		ISO 1302		ISO 406 ISO 1101		mm		BACKPANEL	
ltr	ecn no	dr	date	tolerances unless otherwise specified		mm		title	
E	H10092	HVS	1991-04-01	angles	linear	mm		LOCKING FRAME	
F	F00406	LLA	2000-05-22			mm		1 MODULE	
G	F10138	GCO	2001-02-08			scale -			
H	I05-0042	MINI	2005-03-17	dr	G.CORBOZ	2001-02-08		dwg no	
J	I05-0248	MINI	2005-11-22	enr	J.F.NOTTEAU	2001-02-08		sheet 1 of 1	
K	I06-0068	MINI	2006-06-01	chr	RAKHEE GEORGE	2006-06-01		size	
				appd	RAKHEE GEORGE	2006-06-01		A3	
sheet index		revision	K					type	
		sheet	1					Product Customer Drawing	