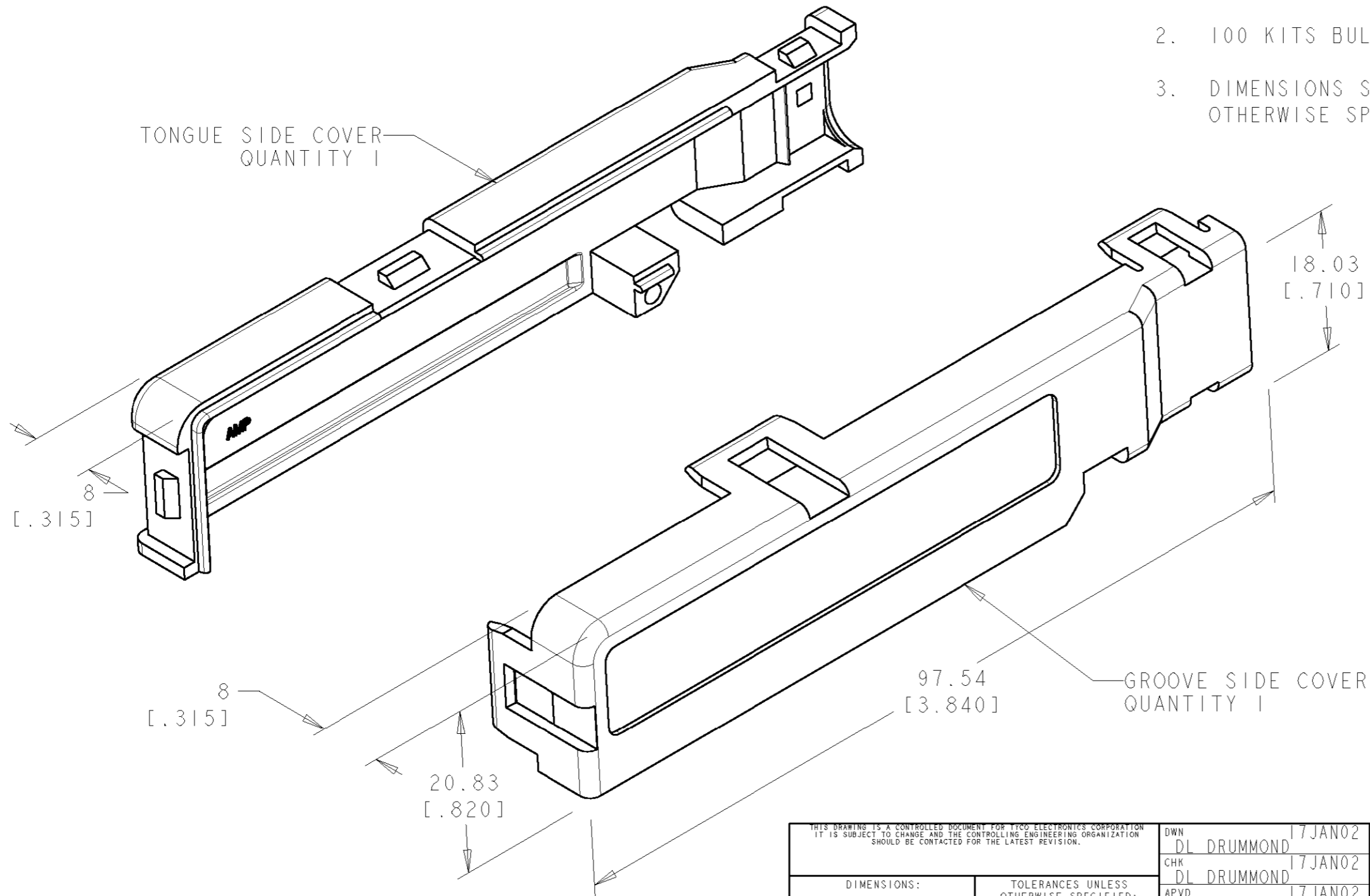


THIS DRAWING IS UNPUBLISHED. RELEASED FOR PUBLICATION 20  
 © COPYRIGHT 20 BY TYCO ELECTRONICS CORPORATION. ALL RIGHTS RESERVED.

LOC	DIST	REVISIONS			
P	LTR	DESCRIPTION	DATE	DWN	APVD
AA	20				
		O	RELEASED PER EC 0S15-0006-02	17JAN2002	DLD RPM
		A	REVISED PER EC 0S15-0190-02	02JUL2002	DLD RPM

- COVERS SHIPPED NOT ASSEMBLED.
- 100 KITS BULK PACKED.
- DIMENSIONS SHOWN ARE FOR REFERENCE ONLY UNLESS OTHERWISE SPECIFIED.



AS SHOWN	1339519-1
DESCRIPTION	PART NUMBER

<small>THIS DRAWING IS A CONTROLLED DOCUMENT FOR TYCO ELECTRONICS CORPORATION          IT IS SUBJECT TO CHANGE AND THE CONTROLLING ENGINEERING ORGANIZATION          SHOULD BE CONTACTED FOR THE LATEST REVISION.</small>		DWN	DL DRUMMOND	17JAN02	Tyco Electronics Harrisburg, PA 17105-3608
DIMENSIONS: mm [ INCHES ]		CHK	DL DRUMMOND	17JAN02	
		APVD	RP McCRAW	17JAN02	
TOLERANCES UNLESS OTHERWISE SPECIFIED: 0 PLC ±- 1 PLC ±- 2 PLC ±- 3 PLC ±- 4 PLC ±- ANGLES ±-		PRODUCT SPEC	NAME		
MATERIAL POLYPHENYLENE OXIDE		FINISH	-		
		WEIGHT	-		
		CUSTOMER DRAWING	SIZE A3 CAGE CODE 00779 DRAWING NO C-1339519 RESTRICTED TO -		
		SCALE	2:1 SHEET 1 OF 1 REV A		