

THIS DRAWING IS UNPUBLISHED.

RELEASED FOR PUBLICATION

-. - .

© COPYRIGHT - BY TYCO ELECTRONICS CORPORATION.

ALL INTERNATIONAL RIGHTS RESERVED.

LOC
A1

DIST
-

REVISIONS

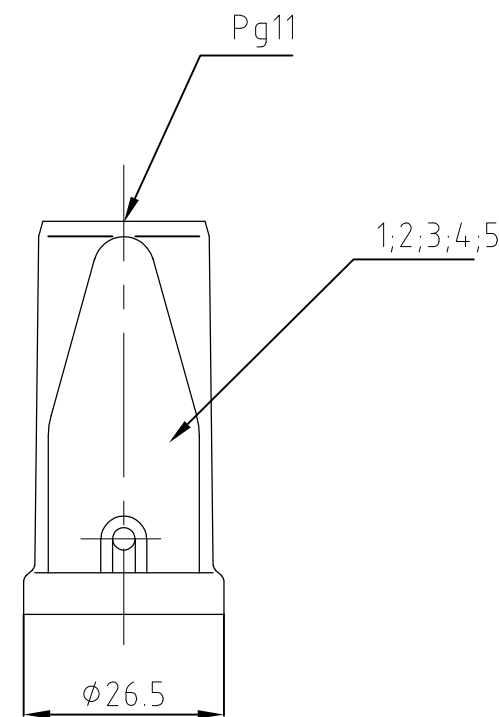
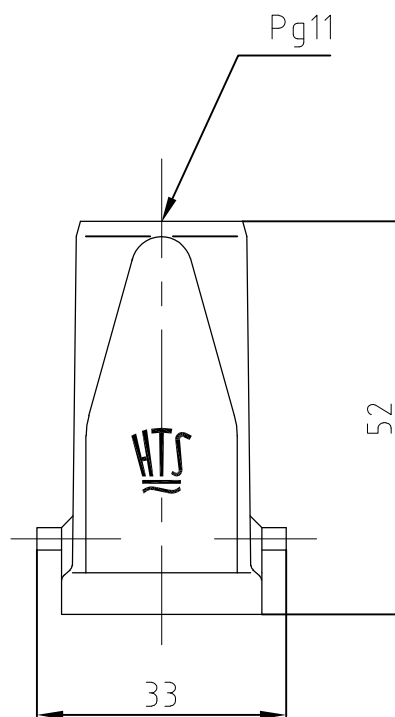
P	LTR	DESCRIPTION	DATE	DWN	APVD
	A7	new index ECR-08-005963	28.02.08	SM	ST
	A8	REVISED PER ECO-09-023929	11DEC09	KK	AEG
	A9	REVISED PER ECO-11-002591	15FEB11	HMR	MM

Notes:

- 1 Material: zinc diecast
- 2 Surface: Powder coated grey, black, blue
- 3 Varnish on the inside not necessary
- 4 Packaging quantity 10 pieces
- 5 OBSOLETE PARTS: OBSOLETE CIS STREAMLINING PER D.RENAUD/D.SINISI

Bemerkungen:

- 1 Material: Zink-Druckguß Legierung
- 2 Oberfläche: Pulverbeschichtet grau, schwarz, blau
- 3 Lackierung im Gehäuseinnere ist nicht notwendig
- 4 Verpackungsmenge 10 Stück



OBSOLETE

1	-	+	-	-	Plug housing HA.3	Zink/zinc diecast	-	light blue 5012/blue	5	
-	1	+	-	-	Plug housing HA.3	Zink/zinc diecast	-	aluminum color	4	
-	-	1	-	-	Plug housing HA.3	Zink/zinc diecast	-	unvarnished	3	
-	-	+	1	-	Plug housing HA.3	Zink/zinc diecast	-	schwarz/black	2	
-	-	+	-	1	Plug housing HA.3	Zink/zinc diecast	-	grau/grey	1	
0-2	0-1	6-7	2-7	1-7	DESCRIPTION / BENENNUNG	MATERIAL	SURFACE / OBERFLÄCHE	COLOR / FARBE	ITEM NO. POS.	REMARKS / BEMERKUNGEN

ORDERING TEXT / BESTELLTEXT	THIS DRAWING IS A CONTROLLED DOCUMENT.		DWN	Schneider	08.12.1998	 HTS Elektrotechnik 53819 Neunkirchen, Germany			
	DIMENSIONS: mm		CHK	Schweiger	08.12.1998		NAME		
			TOLERANCES UNLESS OTHERWISE SPECIFIED: GENERAL TOLERANCES n. ISO 8015 n. ISO 2768 - mH -E n. DIN 16901 - 140		APVD		Hood HA.3.STO Steckergehaeuse HA.3.STO.1.11.Z		
	MATERIAL		FINISH		PRODUCT SPEC				
	-		-		108-74000				
				APPLICATION SPEC		SIZE	CAGE CODE	DRAWING NO	RESTRICTED TO
				WEIGHT		A3 00779		C-1102101	-
				CUSTOMER DRAWING		SCALE 1:1		SHEET 1 OF 1	REV A9