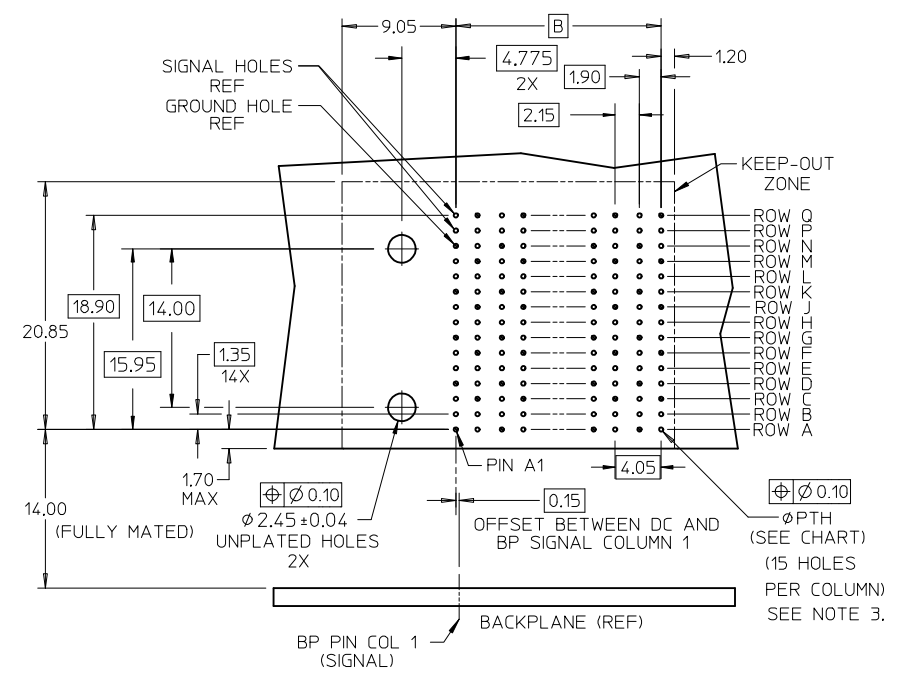
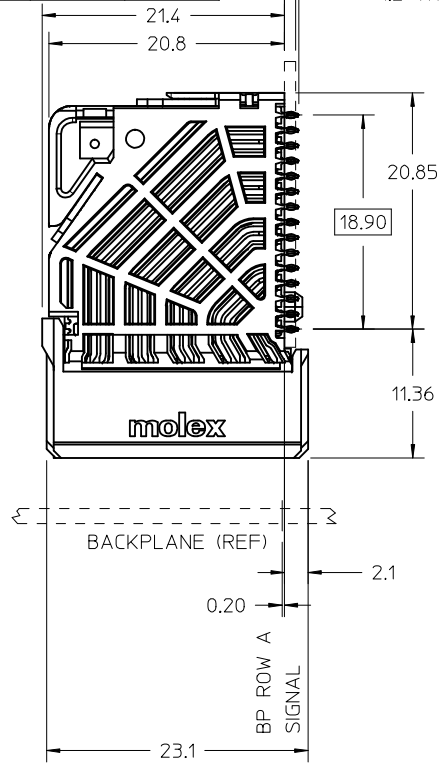
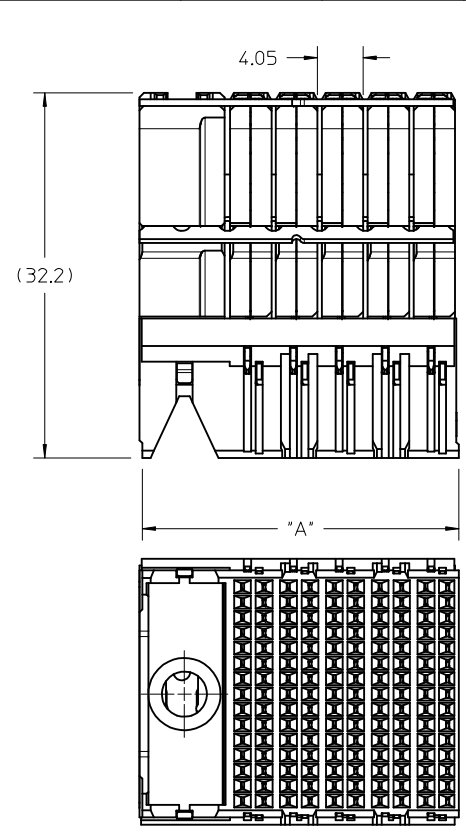
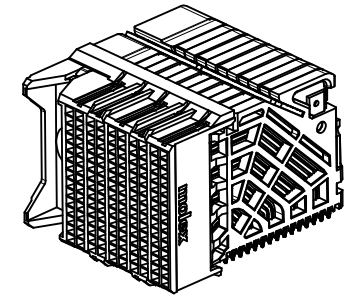


MATERIAL NUMBER	# OF COLUMNS	# OF DIFF PAIR	DIM "A" MAX	DIM "B"	PTH ϕ
76990-3008	8	40	24.30	14.05	0.46 \pm 0.05
76990-3038	8	40	24.30	14.05	0.39 \pm 0.05
76990-3010	10	50	28.35	18.10	0.46 \pm 0.05
76990-3020	10	50	28.35	18.10	0.39 \pm 0.05
76990-3012	12	60	32.40	22.15	0.46 \pm 0.05
76990-3022	12	60	32.40	22.15	0.39 \pm 0.05

76990- \ast 0 $\ast\ast$

MODULE & TAIL PLATING TYPE
3 = LEFT GUIDED, TIN

OF COLUMNS
08 = 8 COL 0.46 PTH
38 = 8 COL 0.39 PTH
10 = 10 COL 0.46 PTH
20 = 10 COL 0.39 PTH
12 = 12 COL 0.46 PTH
22 = 12 COL 0.39 PTH



- NOTES:
1. MATERIALS: HOUSING - LIQUID CRYSTAL POLYMER (LCP), GLASS-FILLED, UL94V-0
TERMINALS - HIGH PERFORMANCE COPPER ALLOY
 2. FINISH: 30 μ IN MIN GOLD IN CONTACT AREA. SELECTIVE TIN ON PCB TAILS. NICKEL OVERALL.
 3. REFER TO MOLEX PRODUCT SPEC PS-76060-999 FOR PERFORMANCE SPECIFICATIONS AND ADDITIONAL PCB INFORMATION.
 4. EACH SIGNAL WAFER CONTAINS 2 COLUMNS OF TERMINALS.
 5. PRODUCT IS PACKAGED PER PK-70873-611.
 6. THIS PART CONFORMS TO CLASS B REQUIREMENTS OF COSMETIC SPEC PS-45499-002.
 7. REFER TO MOLEX SALES DRAWING SD-76985-002 FOR THE MATING HEADERS.
 8. WHEN USING MOLEX SUPPLIED #2-32 SCREW 73726-0000 (9.50mm \pm 0.38 THREADABLE SCREW LENGTH), THE MAXIMUM BOARD THICKNESS IS 4.4mm.
 9. REFER TO MOLEX ROUTING GUIDE AS-76850-990 FOR ADDITIONAL PCB LAYOUT AND ROUTING RECOMMENDATIONS.

REMOVE TIN-LEAD REF EC NO: UCP2015-5541 DRAWN BY MILLER 2015/06/29 CHKD: APPR:TELO 2015/07/07	QUALITY SYMBOLS =0 =0	GENERAL TOLERANCES (UNLESS SPECIFIED)	DIMENSION STYLE MM ONLY	SCALE 3:1	DESIGN UNITS METRIC	THIRD ANGLE PROJECTION													
		<table border="1"> <thead> <tr> <th></th> <th>mm</th> <th>INCH</th> </tr> </thead> <tbody> <tr> <td>4 PLACES</td> <td>\pm---</td> <td>\pm---</td> </tr> <tr> <td>3 PLACES</td> <td>\pm---</td> <td>\pm---</td> </tr> <tr> <td>2 PLACES</td> <td>\pm0.15</td> <td>\pm---</td> </tr> <tr> <td>1 PLACE</td> <td>\pm0.25</td> <td>\pm---</td> </tr> </tbody> </table>		mm	INCH	4 PLACES	\pm ---	\pm ---	3 PLACES	\pm ---	\pm ---	2 PLACES	\pm 0.15	\pm ---	1 PLACE	\pm 0.25	\pm ---	DRAWN BY JLAURX DATE 4/29/09	TITLE IMPACT DAUGHTERCARD 5 PAIR ORTHOGONAL GUIDE LEFT SALES DWG
	mm	INCH																	
4 PLACES	\pm ---	\pm ---																	
3 PLACES	\pm ---	\pm ---																	
2 PLACES	\pm 0.15	\pm ---																	
1 PLACE	\pm 0.25	\pm ---																	
DRAFT WHERE APPLICABLE MUST REMAIN WITHIN DIMENSIONS	APPROVED BY JB INGHAM DATE 2010/01/14	SEE CHART THIS DRAWING CONTAINS INFORMATION THAT IS PROPRIETARY TO MOLEX INCORPORATED AND SHOULD NOT BE USED WITHOUT WRITTEN PERMISSION																	