

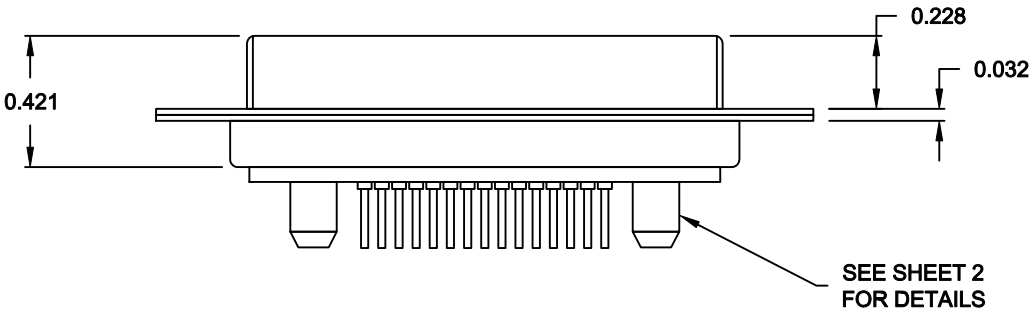
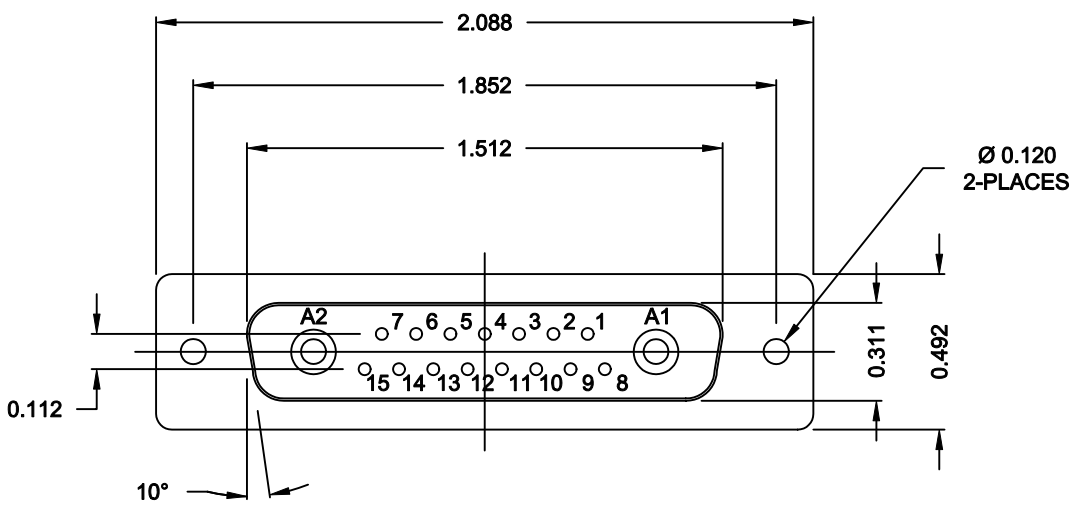
SPECIFICATIONS:

ELECTRICAL:
 INSULATOR RESISTANCE: 5 G OHMS Min.
 DIELECTRIC WITHSTANDING: 1,000 VAC for 1 MINUTE.
 OPERATING TEMPERATURE: -55° C ~ +155° C
 CONTACT RESISTANCE: 1.0MOHMS Max.
 POWER PINS: SEE PART No. BELOW
 SIGNAL PINS: 5 AMPS

MECHANICAL:
 CONTACT INSERTION FORCE: 4.5 Kg Max.
 CONTACT SEPARATOR FORCE: 0.3Kg Min.

MATERIALS:
 CONTACTS: COPPER ALLOY
 INSULATOR: PBT UL94V-0 RATED, BLACK
 230°C PROCESS TEMP.
 SHELL: STEEL
 SEAL: F04 FLEXIBLE ADHESIVE

FINISH:
 SHELL: NICKEL
 CONTACTS: FULL GOLD FLASH



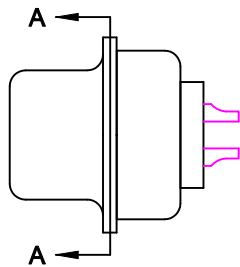
681S17W2203L001

00 = 20 / 40 AMPS

MEETS IP67 STANDARDS
 (SEE PAGE 2 FOR SEALING DETAILS)

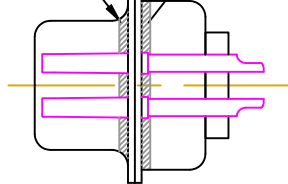
RoHS COMPLIANT

	THESE DRAWINGS AND SPECIFICATIONS ARE THE PROPERTY OF NorComp AND SHALL NOT BE REPRODUCED, COPIED OR USED AS THE BASIS FOR THE MANUFACTURE OR SALE OF APPARATUS WITHOUT WRITTEN PERMISSION.		DRAWN: M. SIGMON	DATE: 06-11-13
			CHECKED:	DATE:
NorComp	SCALE: 1.5 = 1	SHEET 1 OF 3	REV 0	
	DWG NO. 681S17W2203L001			



FRONT SEAL APPLIED BETWEEN FRONT INSULATOR AND FRONT METAL SHELL

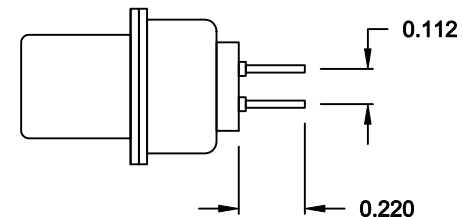
MIDDLE SEAL APPLIED BETWEEN FRONT INSULATOR AND BACK INSULATOR



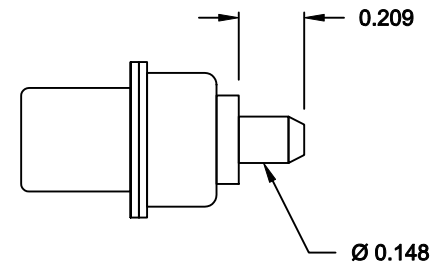
DETAIL A-A

SHOWN FOR REFERENCE ONLY

NOTE:
SIGNAL AND POWER CONTACTS
COME PRE-LOADED INTO INSULATORS



SIGNAL CONTACTS



POWER CONTACTS

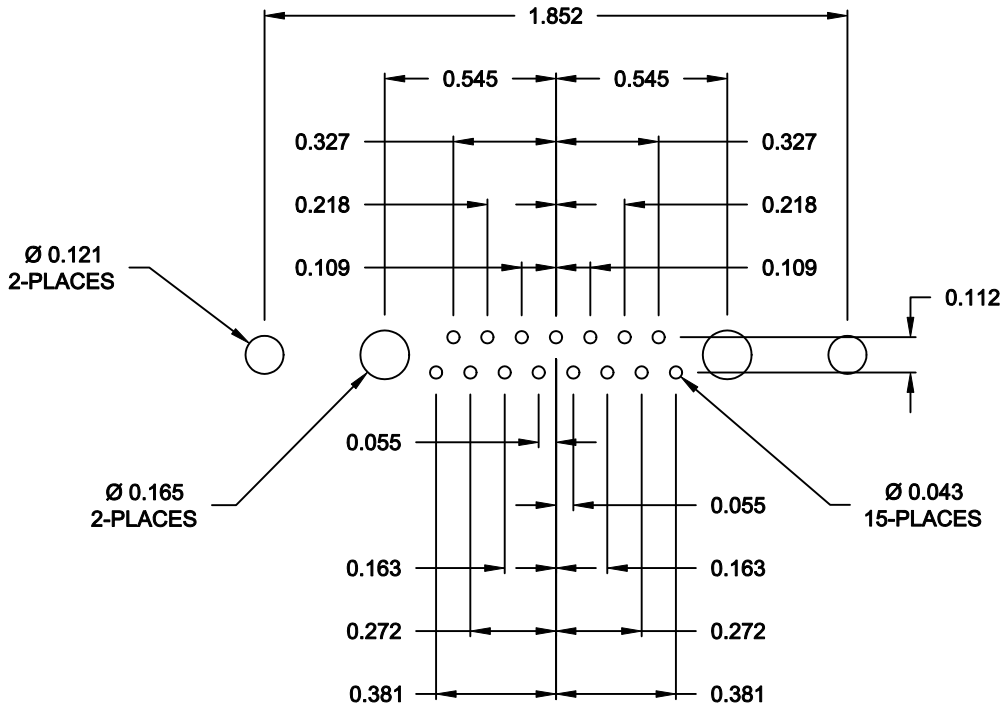
RoHS COMPLIANT



THESE DRAWINGS AND SPECIFICATIONS ARE THE PROPERTY OF NorComp AND SHALL NOT BE REPRODUCED, COPIED OR USED AS THE BASIS FOR THE MANUFACTURE OR SALE OF APPARATUS WITHOUT WRITTEN PERMISSION.


DRAWN: M. SIGMON		DATE: 06-11-13	
CHECKED:		DATE:	
SCALE: 1.5 = 1	SHEET 2	OF 3	REV 0
DWG NO.		681S17W2203L001	

NorComp



RECOMMENDED PCB LAYOUT

RoHS COMPLIANT

	THESE DRAWINGS AND SPECIFICATIONS ARE THE PROPERTY OF NorComp AND SHALL NOT BE REPRODUCED, COPIED OR USED AS THE BASIS FOR THE MANUFACTURE OR SALE OF APPARATUS WITHOUT WRITTEN PERMISSION.		DRAWN: M. SIGMON	DATE: 06-11-13
			CHECKED:	DATE:
NorComp		SCALE: 1.5 = 1	SHEET 3 OF 3	REV 0
		DWG NO. 681S17W2203L001		