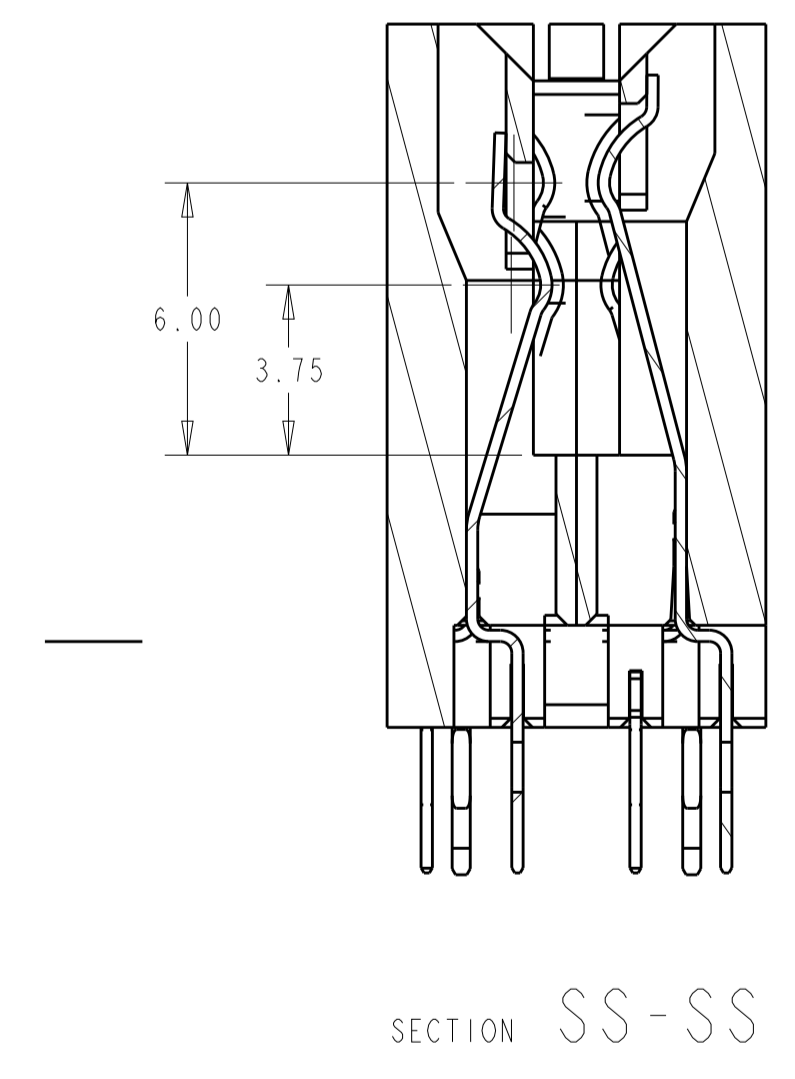
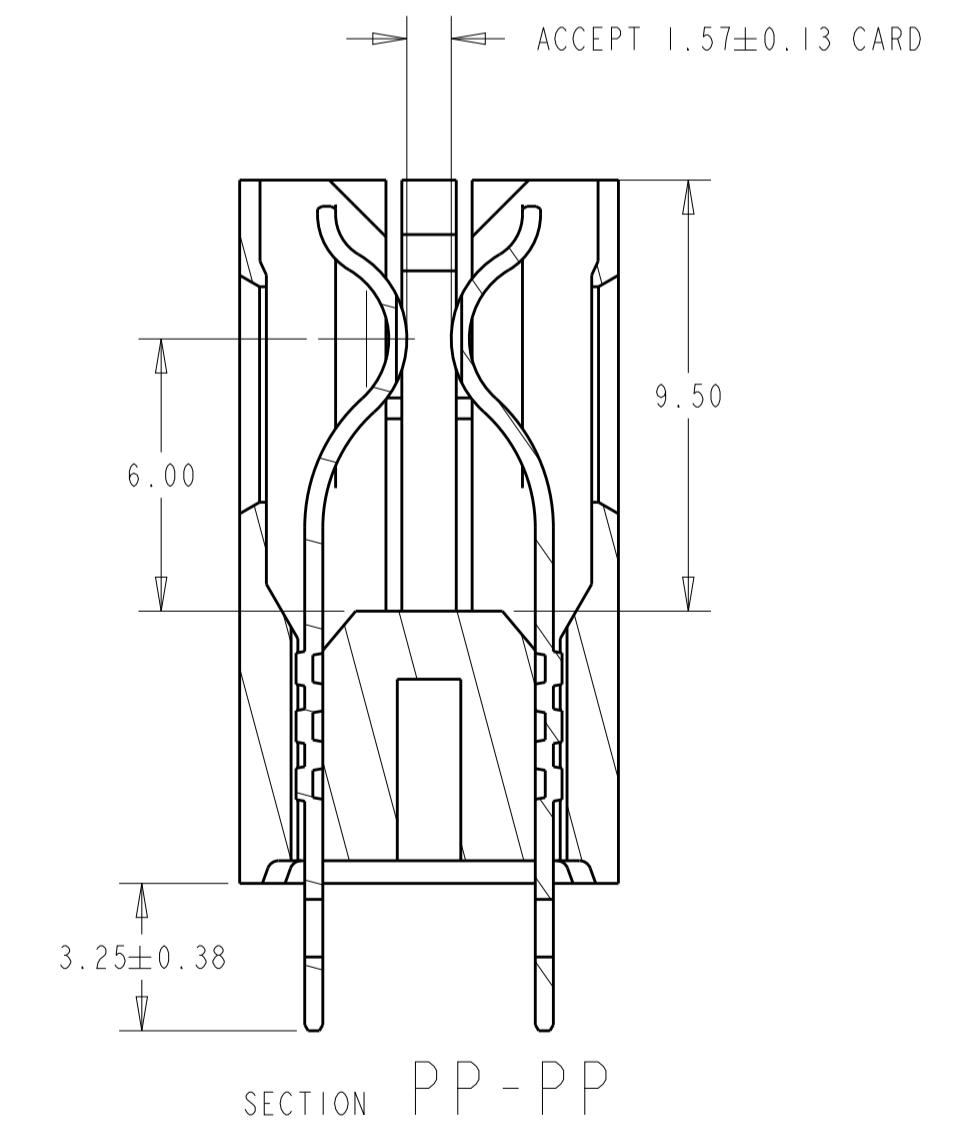
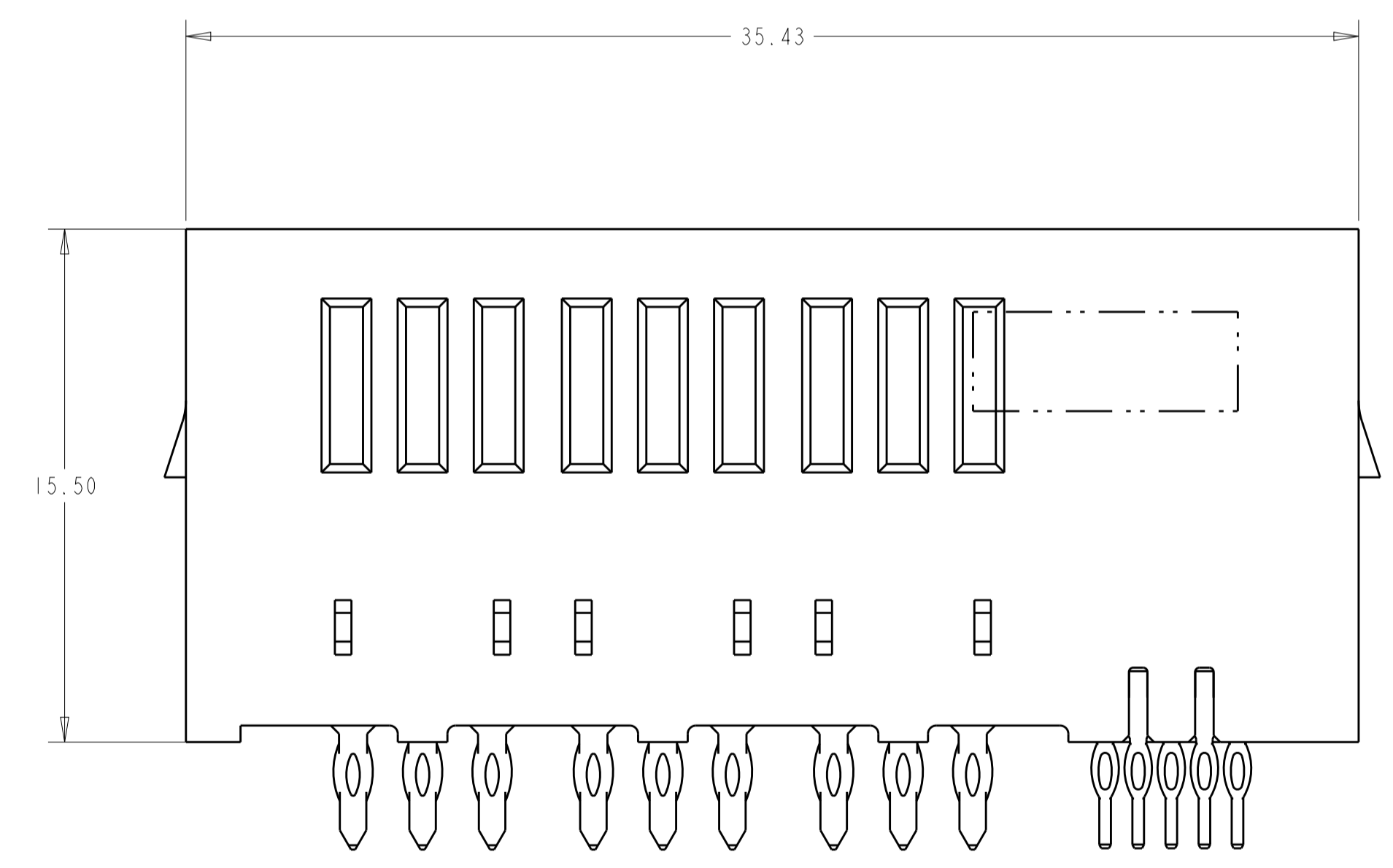
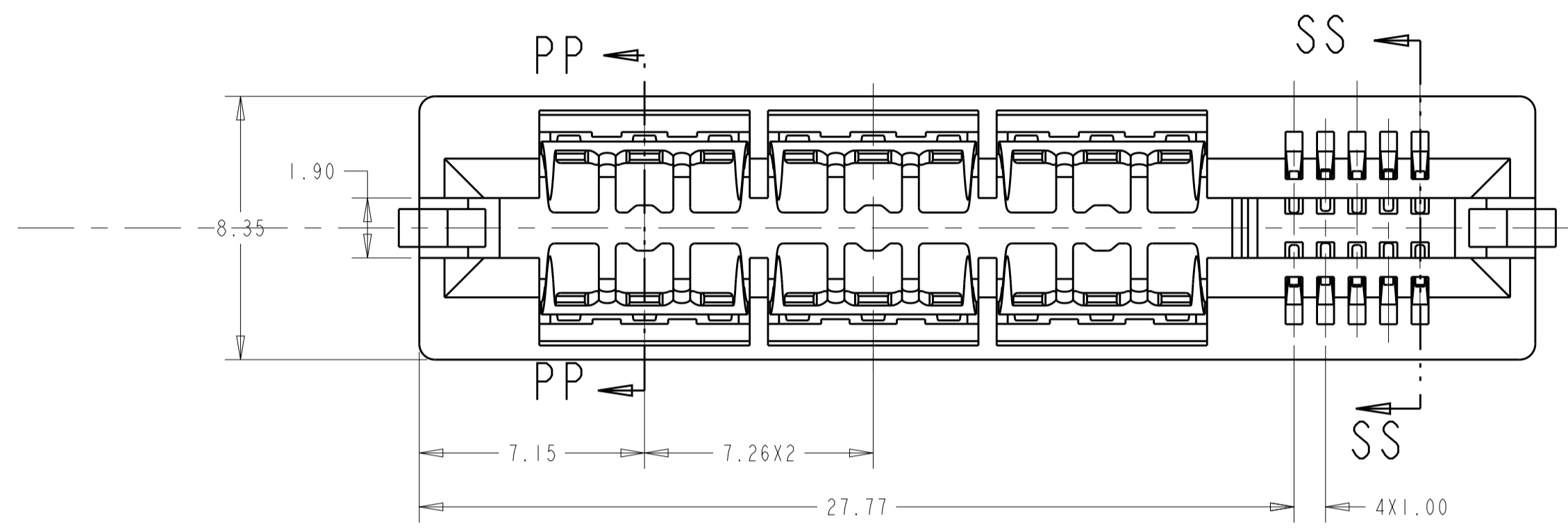


REVISIONS				
P	LTN	DESCRIPTION	DATE	APPROV
A		FIRST RELEASE	30AUG2016	SZ SZ

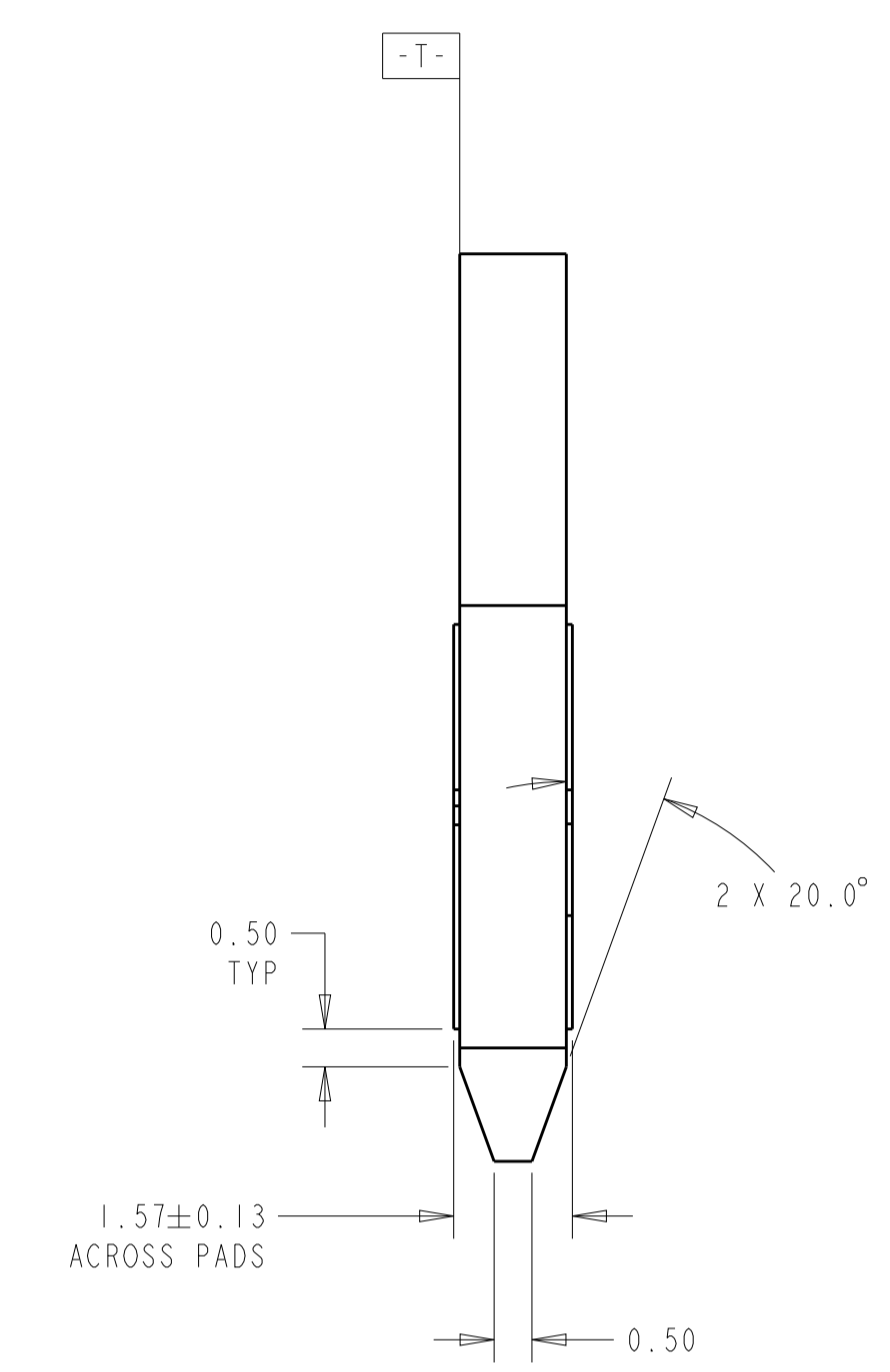
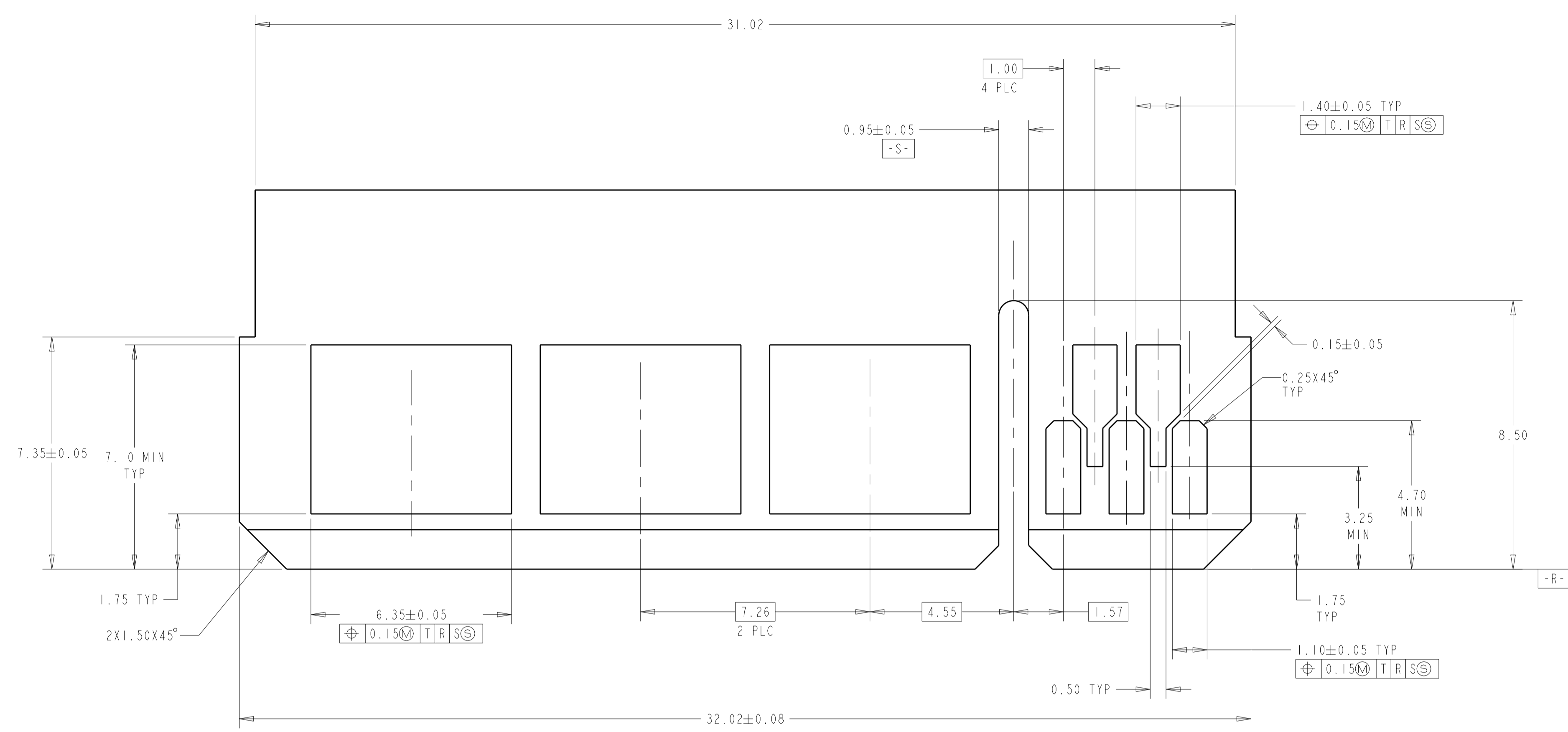
1. MATERIAL: HOUSING - THERMOPLASTIC, GLASS REINFORCED. COLOR: BLACK
CONTACT - COPPER ALLOY
2. FINISH: CONTACT - GOLD PLATED OVER NICKEL.
SOLDER TAILS - MATTE TIN OVER NICKEL
3. CONNECTOR ASSEMBLY MARKED WITH PART NUMBER AND DATE CODE IN THE APPROXIMATE AREA SHOWN
4. DATUMS AND BASIC DIMENSIONS TO BE ESTABLISHED BY CUSTOMER
5. MANUFACTURING TOLERANCE FOR 1.07mm DIAMETER FINISHED HOLE:
DRILLED HOLE = 1.15+/-0.03mm
COPPER PLATE = 0.050/0.025mm (MAX HARDNESS 150 KNOOP)
TIN/LEAD PLATE (HASL) = 0.010/0.004mm
6. MANUFACTURING TOLERANCE FOR 0.70mm DIAMETER FINISHED HOLE:
DRILLED HOLE = 0.78+/-0.03mm
COPPER PLATE = 0.050/0.025mm (MAX HARDNESS 150 KNOOP)
TIN/LEAD PLATE (HASL) = 0.010/0.004mm



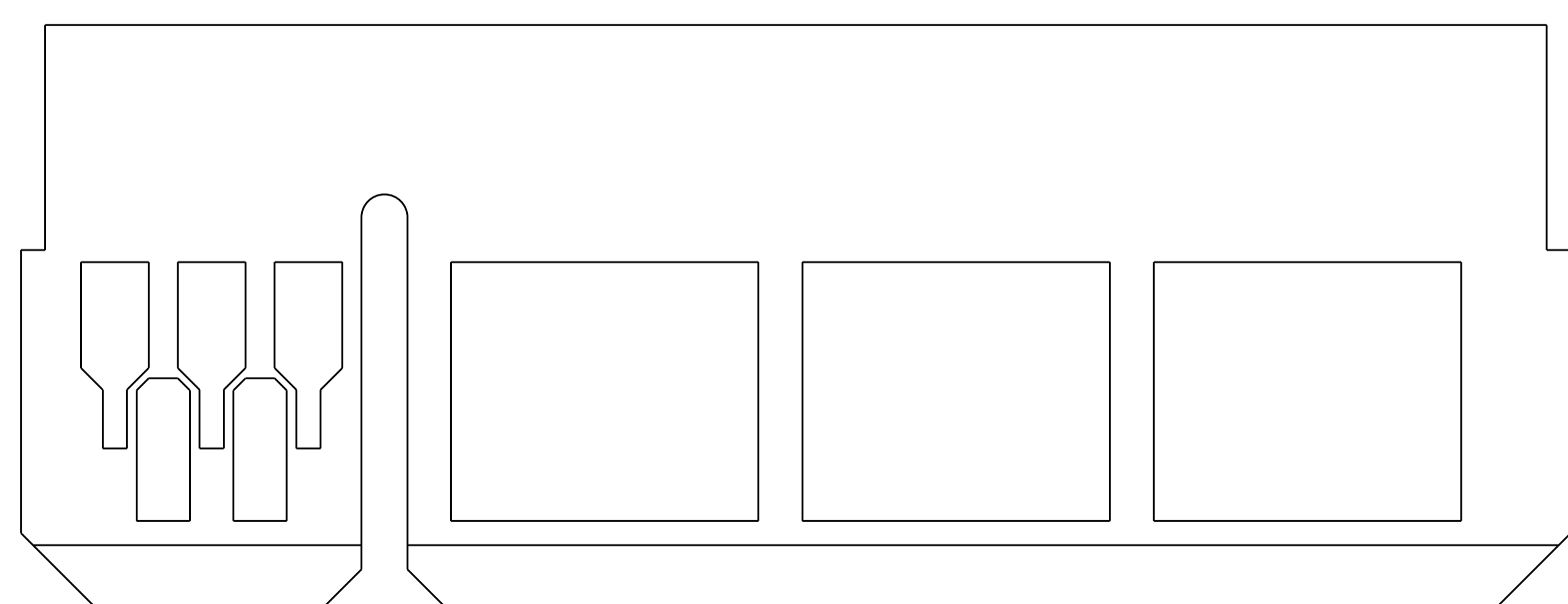
PART 2204072-1

THIS DRAWING IS A CONTROLLED DOCUMENT.		DWN	05APR2012	STE TE Connectivity
DIMENSIONS:		CL A WENSEL	05APR2012	
mm		CHS D DEE PAUGH	05APR2012	
TOLERANCES UNLESS OTHERWISE SPECIFIED:		APV S HELCKINGER	05APR2012	
0 PLC	±	PRODUCT SPEC		PRELIMINARY
1 PLC	±0.5	APPLICATION SPEC		
2 PLC	±0.25	SIZE	A1	CONNECTOR ASSEMBLY, MULTI-BEAM CE POWER/SIGNAL, VERTICAL, EYE OF THE NEEDLE
3 PLC	±	SCALE	3:1	
4 PLC	±	WEIGHT	-	CUSTOMER DRAWING
ANGLES	±	CAGE CODE	00779	
FINISH	±	DRAWING NO	2204072	SHEET 1 OF 3
MATERIAL	SEE NOTE 1	REV	A	

REVISIONS				
P.	LTN.	DESCRIPTION	DATE	APVD.
-	-	SEE SHEET 1	-	-



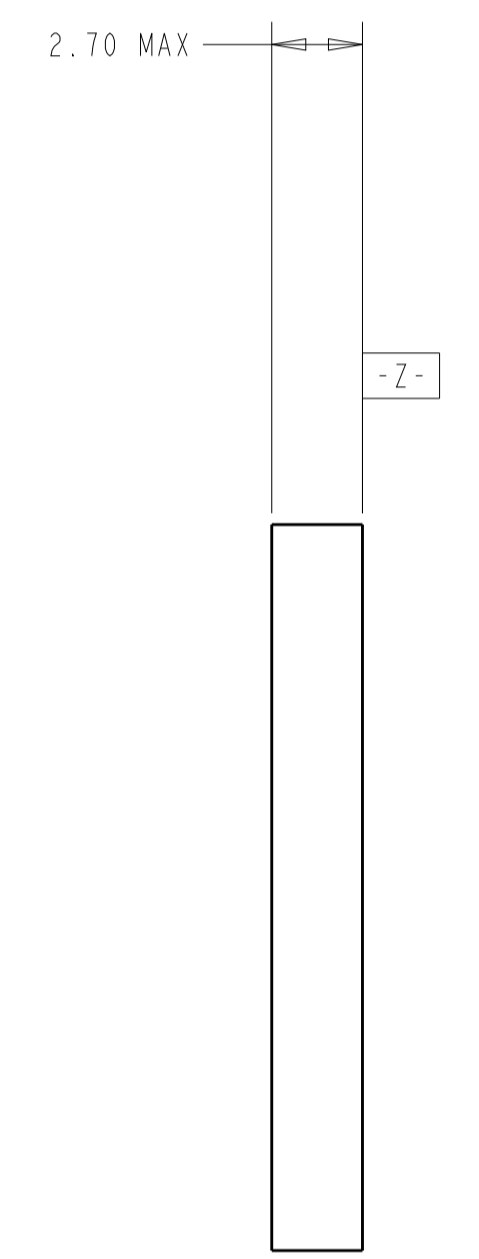
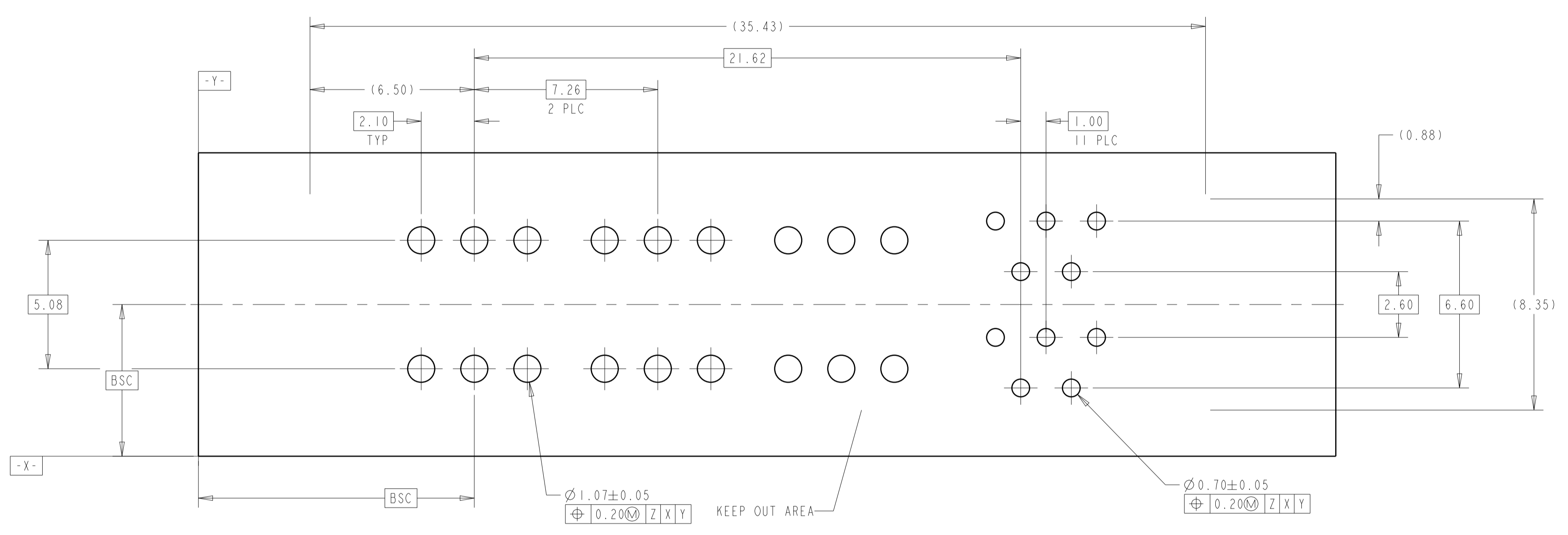
RECOMMENDED MATING CARD EDGE CONFIGURATION



RECOMMENDED MATING CARD EDGE CONFIGURATION
 SECOND SIDE SHOW

THIS DRAWING IS A CONTROLLED DOCUMENT.		DWN L.A.WENSEL 05APR2012	TE Connectivity
DIMENSIONS: mm		CHK D.DEFIRAUGH 05APR2012	
TOLERANCES UNLESS OTHERWISE SPECIFIED: 0 PLC ± 1 PLC ±0.3 2 PLC ±0.13 3 PLC ± 4 PLC ± ANGLES ±4°		APVD S.FLICKINGER 05APR2012	
MATERIAL SEE NOTE 1		FINISH SEE NOTE 2	
WEIGHT		REVISIONS	NAME
CUSTOMER DRAWING		SIZE	CAGE CODE
SCALE 4:1		DRAWING NO	RESTRICTED TO
SHEET 2 OF 3		00779	00779
REV A		2204072	

REVISIONS				
P.	LTN	DESCRIPTION	DATE	APVD
-	-	SEE SHEET 1	-	-



RECOMMEND FOOTPRINT

THIS DRAWING IS A CONTROLLED DOCUMENT.		DWN: L.A. WENSEL 05APR2012 CHK: D. DEFIBAUGH 05APR2012 APVD: S. FLICKINGER 05APR2012	TE Connectivity NAME CONNECTOR ASSEMBLY, MULTI-BEAM CE POWER/SIGNAL, VERTICAL, EYE OF THE NEEDLE	
DIMENSIONS: mm TOLERANCES UNLESS OTHERWISE SPECIFIED: 0 PLC ± 1 PLC ±0.3 2 PLC ±0.13 3 PLC ± 4 PLC ± ANGLES ±6°		PRODUCT SPEC APPLICATION SPEC SIZE: A1 CAGE CODE: 00779 DRAWING NO: 2204072 RESTRICTED TO:		
MATERIAL: SEE NOTE 1		FINISH: SEE NOTE 2		WEIGHT: - CUSTOMER DRAWING SCALE: 4:1 SHEET: 3 OF 3 REV: A