



SALES PACKAGING SPECIFICATION



LANGUAGE

JAPANESE
ENGLISH

1. 製品名称 : 1.5MM PITCH W-T-B HEADER VERTICAL SMT

PRODUCT NAME:

製品番号 : 8 7 4 3 7 - * * 4 3

PART NUMBER : (* * は極数を示す)

(**IS CIRCUITS SIZE)

2. 標準梱包数

STANDARD PACK QUANTITY

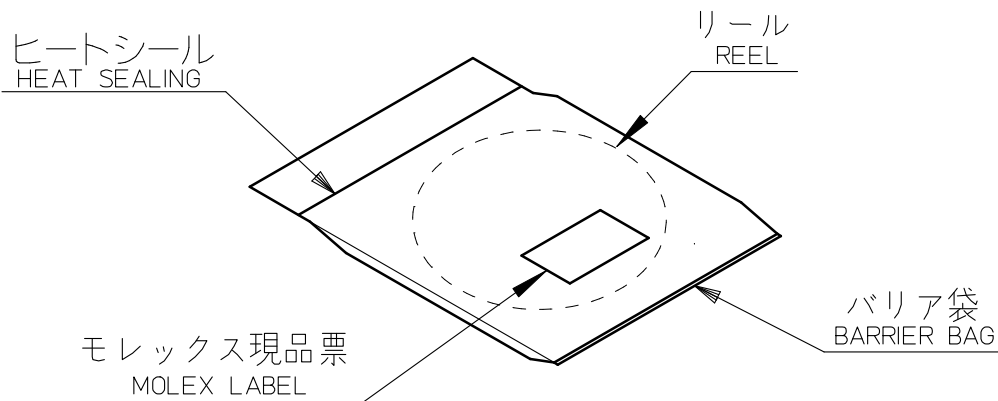
極数 CKT.	キャリア テープ幅 (mm) CARRIER TAPE WIDTH (mm)	1 リール中の製品数 QTY. PER REEL	外装カートン SHIPPING CARTON	
			梱包リール数 NUMBER OF REELS	製品数 QUANTITY
2	16	1,000	3	3,000
3				
4				
5				
6				
7	24	1,000	2	2,000
8				
9				
10				
11	32	1,000	4	4,000
12				
13				
14				
15	44	1,000	3	3,000

REV.	A					
SHEET	1~3					
REVISE ON PC ONLY		TITLE:				
A	RELEASED J2009-2943 '09/6/26 Y.TOKUZONO		8 7 4 3 7 梱包仕様書 SALES PACKAGING SPEC. FOR 87437			
	THIS DOCUMENT CONTAINS INFORMATION THAT IS PROPRIETARY TO MOLEX INC. AND SHOULD NOT BE USED WITHOUT WRITTEN PERMISSION					
REV.	DESCRIPTION					
DESIGN CONTROL J		STATUS	WRITTEN BY: Y.TOKUZONO	CHECKED BY: T.HARUYAMA	APPROVED BY: N.UKITA	DATE : YR/MO/DAY 2009/6/26

DOCUMENT NUMBER SPK-87437-001	FILE NAME SPK87437001.doc	SHEET 1 of 3
---	------------------------------	-----------------

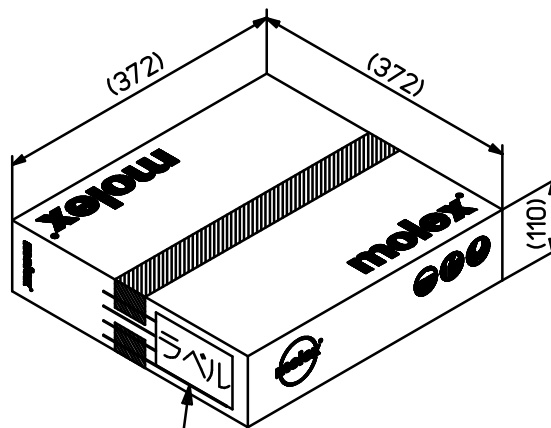


3. ハイバリア袋への梱包方法及びラベル貼付位置
PACKAGING METHOD FOR HIGH BARRIER BAG AND LABEL POSITION.



4. カarton外形参考寸法
CARTON OUTER DIMENSIONS (REFERENCE PURPOSE ONLY)

(1) 2極~10極用カarton
CARTON FOR 2CKT. TO 10CKT.



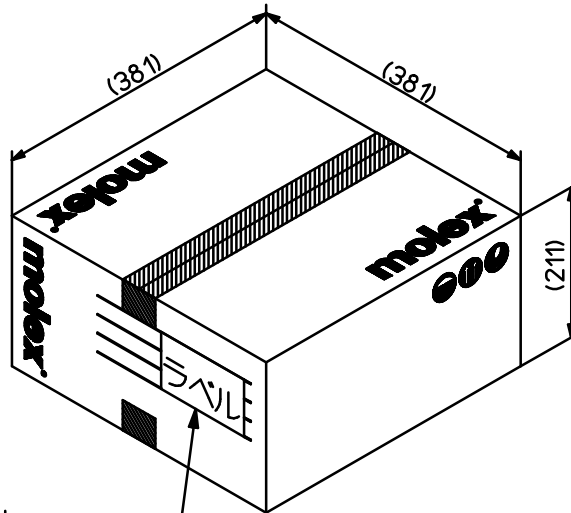
カartonラベル
PART ID LABEL
(製品型番, 数量, ロットNO. 表示)
INDICATION OF PART No., QUANTITY, LOT No.

外装カarton
SHIPPING CARTON

REVISE ON PC ONLY		TITLE:	
A	SEE SHEET 1 OF 3	87437 梱包仕様書 SALES PACKAGING SPEC. FOR 87437	
REV.	DESCRIPTION	THIS DOCUMENT CONTAINS INFORMATION THAT IS PROPRIETARY TO MOLEX INC. AND SHOULD NOT BE USED WITHOUT WRITTEN PERMISSION	
DOCUMENT NUMBER SPK-87437-001		FILE NAME SPK87437001.doc	SHEET 2 of 3



(2) 11極~15極用カートン
CARTON FOR 11CKT. TO 15CKT.



カートンラベル
PART ID LABEL

(製品型番, 数量, ロットNO. 表示)
INDICATION OF PART No., QUANTITY, LOT No.

外装カートン
SHIPPING CARTON

REVISE ON PC ONLY		TITLE: 8 7 4 3 7 梱包仕様書 SALES PACKAGING SPEC. FOR 87437
A	SEE SHEET 1 OF 3	
REV.	DESCRIPTION	THIS DOCUMENT CONTAINS INFORMATION THAT IS PROPRIETARY TO MOLEX INC. AND SHOULD NOT BE USED WITHOUT WRITTEN PERMISSION
DOCUMENT NUMBER SPK-87437-001		FILE NAME SPK87437001.doc
		SHEET 3 of 3