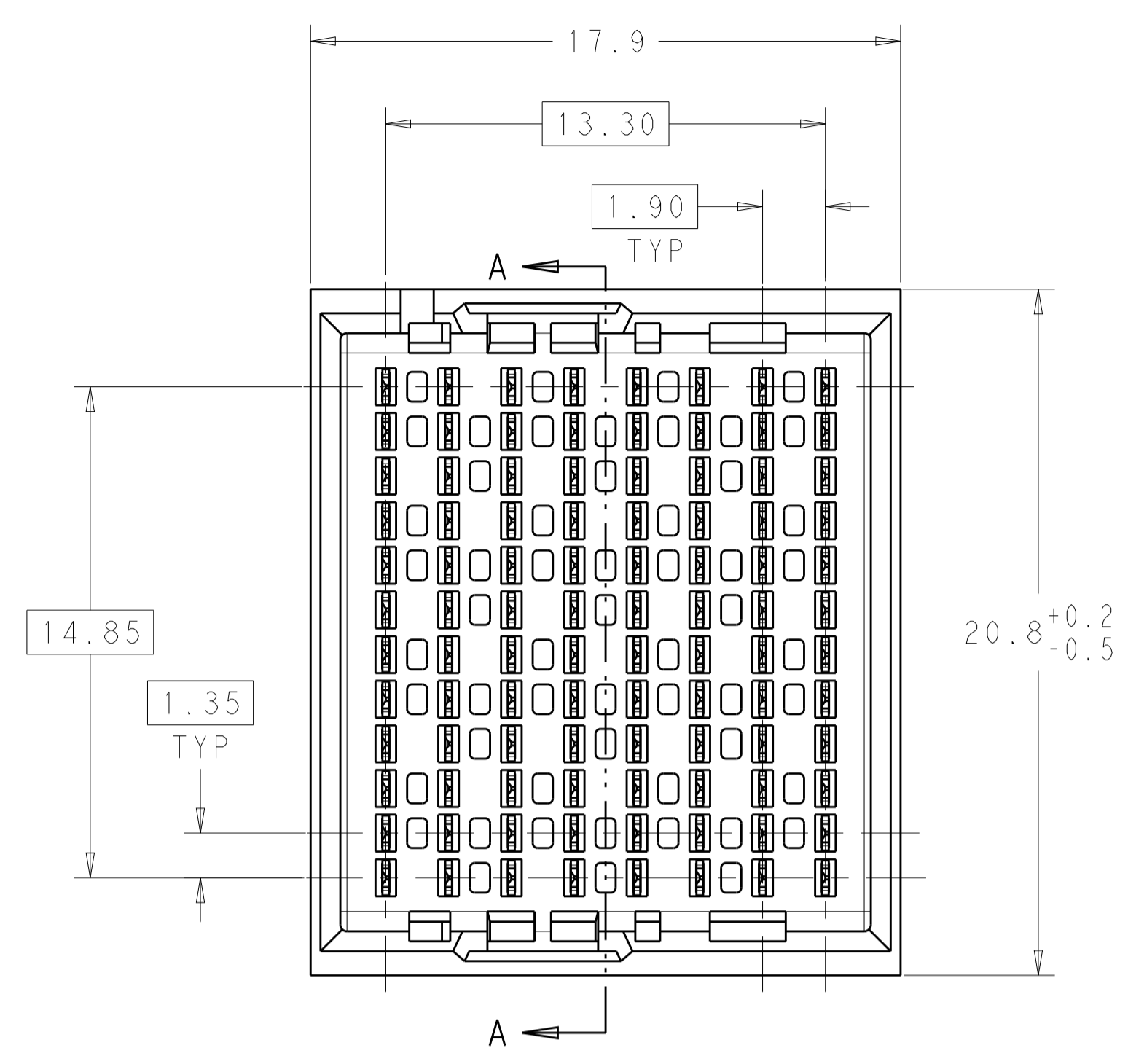
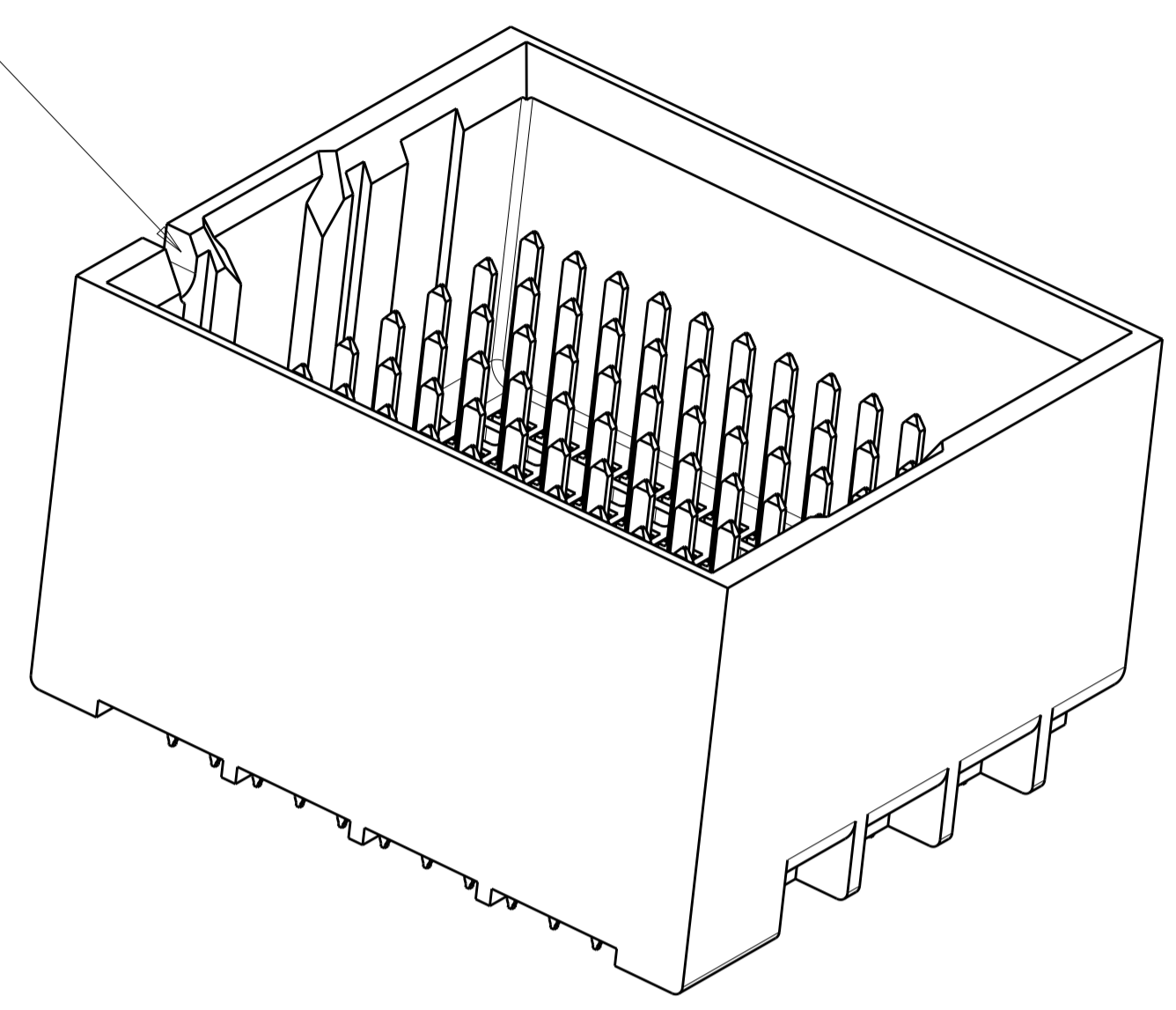


LOC		DIST		REVISIONS			
AD	00	P	LTN	DESCRIPTION	DATE	DWN	APVD
		A1		REVISED PER ECO-15-003239	24MAR2015	AP	DD

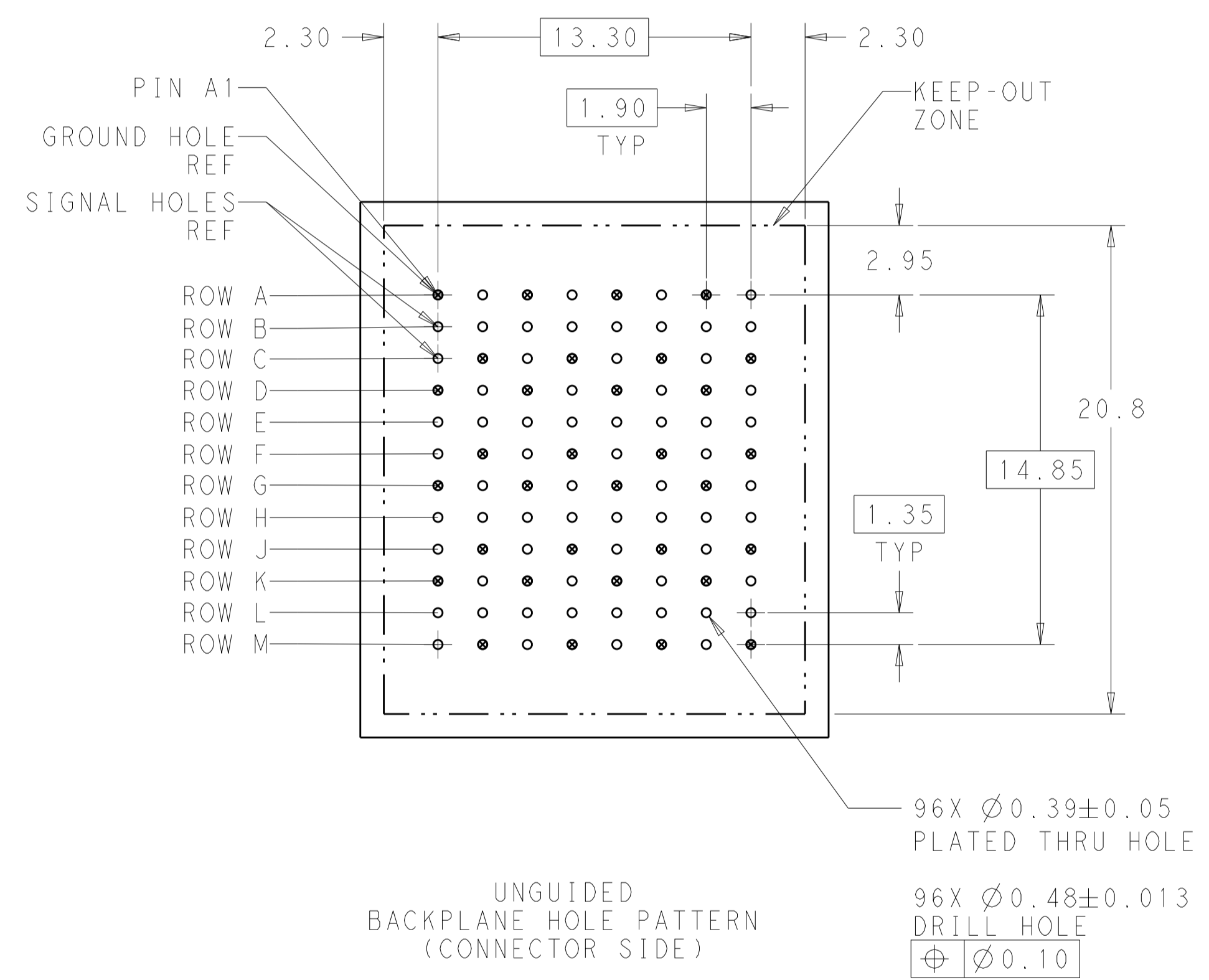


NOTCH DESIGNATES ROW A



⚠ MATERIAL:
HOUSING: LCP, GLASS FILLED, UL94V-0.
TERMINALS: HIGH PERFORMANCE COPPER ALLOY.

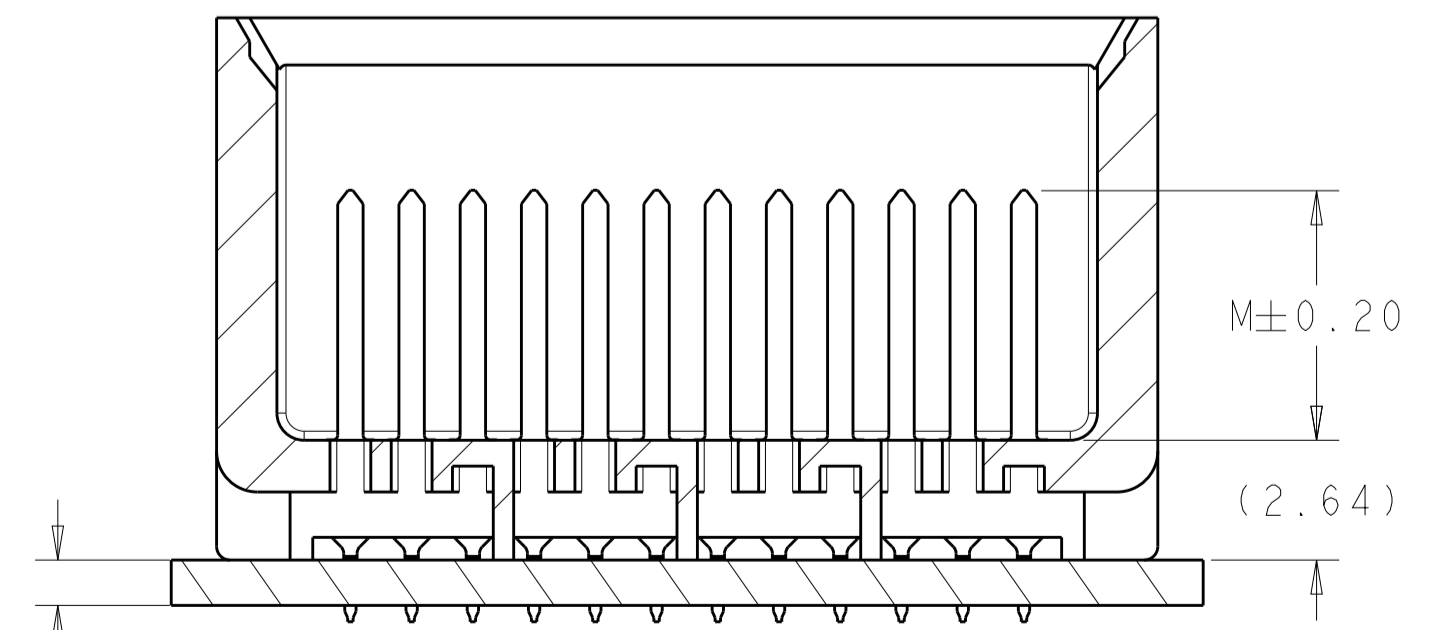
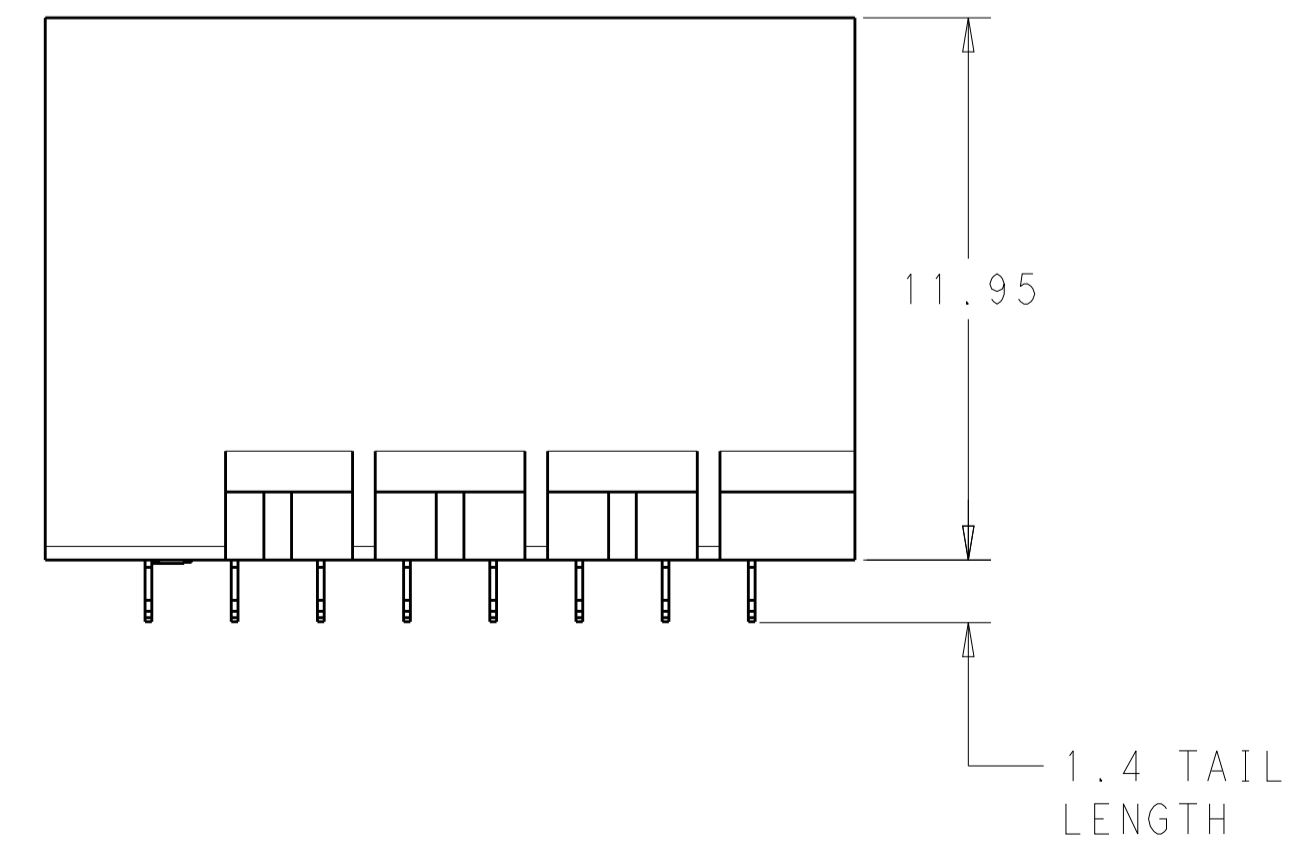
⚠ FINISH:
30μ" MIN GOLD IN CONTACT AREA. SELECTIVE TIN ON PCB TAILS, NICKEL OVERALL.



UNGUIDED BACKPLANE HOLE PATTERN (CONNECTOR SIDE)

96X Ø0.39±0.05 PLATED THRU HOLE

96X Ø0.48±0.013 DRILL HOLE
⊕ Ø0.10



1.00 MINIMUM BOARD THICKNESS

SECTION A-A

THIS DRAWING IS A CONTROLLED DOCUMENT.		DWN: KIRAN HOLAL 02JAN2014	TE Connectivity
DIMENSIONS: mm		CHK: D. DIXON 02JAN2014	
TOLERANCES UNLESS OTHERWISE SPECIFIED:		APVD: D. DIXON 02JAN2014	NAME: IMPACT, 4 PAIR, 8 COLUMN, HEADER UNGUIDED, DUAL END WALL SIGNAL MODULE, 0.39 PTH
0 PLC ±0.25	1 PLC ±0.13	PRODUCT SPEC	SIZE: A1
2 PLC ±0.13	3 PLC ±0.13	APPLICATION SPEC	CAGE CODE: 2057448
4 PLC ±0.13	ANGLES ±0.13	WEIGHT	RESTRICTED TO
MATERIAL: SEE TABLE	FINISH: SEE TABLE	Customer Drawing	SCALE: 6:1 SHEET 1 OF 2 REV: A1

THIS DRAWING IS UNPUBLISHED. RELEASED FOR PUBLICATION 20
 © COPYRIGHT 20 BY - ALL RIGHTS RESERVED.

LOC	DIST	REVISIONS					
		P	LTN	DESCRIPTION	DATE	DWN	APVD
AD	00	-	-	SEE SHEET 1	-	-	-

	5.5	2057448-3
	4.9	2057448-2
	4.5	2057448-1
FINISH	DIM M	PART NUMBER

REFER TO WWW.TE.COM
FOR PRODUCT AVAILABILITY

THIS DRAWING IS A CONTROLLED DOCUMENT.		DWN KIRAN HOLAL 02JAN2014	
		CHK D. DIXON 02JAN2014	
DIMENSIONS:		APVD D. DIXON 02JAN2014	NAME
mm	TOLERANCES UNLESS OTHERWISE SPECIFIED:	PRODUCT SPEC	IMPACT, 4 PAIR, 8 COLUMN, HEADER
	0 PLC ±	APPLICATION SPEC	UNGUIDED, DUAL END WALL
	1 PLC ±0.25		SIGNAL MODULE, 0.39 PTH
	2 PLC ±0.13		SIZE CAGE CODE DRAWING NO RESTRICTED TO
	3 PLC ±		A100779C=2057448
	4 PLC ±		Customer Drawing
	ANGLES ±	WEIGHT	SCALE 5:1 SHEET 2 OF 2 REV A1
MATERIAL	FINISH SEE TABLE		