

PLEASE CHECK WWW.MOLEX.COM FOR LATEST PART INFORMATION

Part Number: [62100-8500](#)
Status: **Active**
Description: Removal Tool for 12.5 Gbps Module, 200 Circuits

Documents:
[RoHS Certificate of Compliance \(PDF\)](#)

General

Product Family	Application Tooling
Series	T3002
Comments	See Tooling Specification (PDF) Above
Function	Extraction
Geographic Area	Global
Level of Automation	Manual
More Detailed Tech Information	applicationtooling@molex.com
Product Name	N/A
Survey	www.molex.com//review/apptool_survey.html
Tool Type	Handtool
UPC	883906916893

Material Info

Reference - Drawing Numbers

Application Tooling Documents	ATS-621008500
-------------------------------	---------------

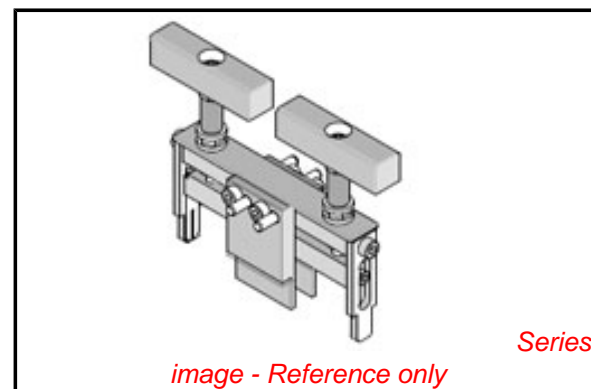


image - Reference only

EU RoHS	China RoHS
----------------	-------------------

Compliance Status

Not Reviewed

REACH SVHC

Not Reviewed

Low-Halogen Status

Not Reviewed

Need more information on product environmental compliance?

Email productcompliance@molex.com
 For a multiple part number RoHS Certificate of Compliance, [click here](#)

Please visit the [Contact Us](#) section for any non-product compliance questions.

Search Parts in this Series

[T3002Series](#)

Use With

[76691](#) EdgeLine® 12.5 Gbps Edge Card Connector

Application Tooling Description	FAQ Product #
--	----------------------

0.80 mm Pitch EdgeLine® 12.5 Gbps Edge Card Connector, 200 Circuits, 1 Bay, PCB Mating Thickness 1.60mm	1706731200
0.80 mm Pitch EdgeLine® 12.5 Gbps Edge Card Connector, 200 Circuits, 1 Bay, PCB Mating Thickness 1.57mm	0766911200

This document was generated on 03/08/2013

PLEASE CHECK WWW.MOLEX.COM FOR LATEST PART INFORMATION