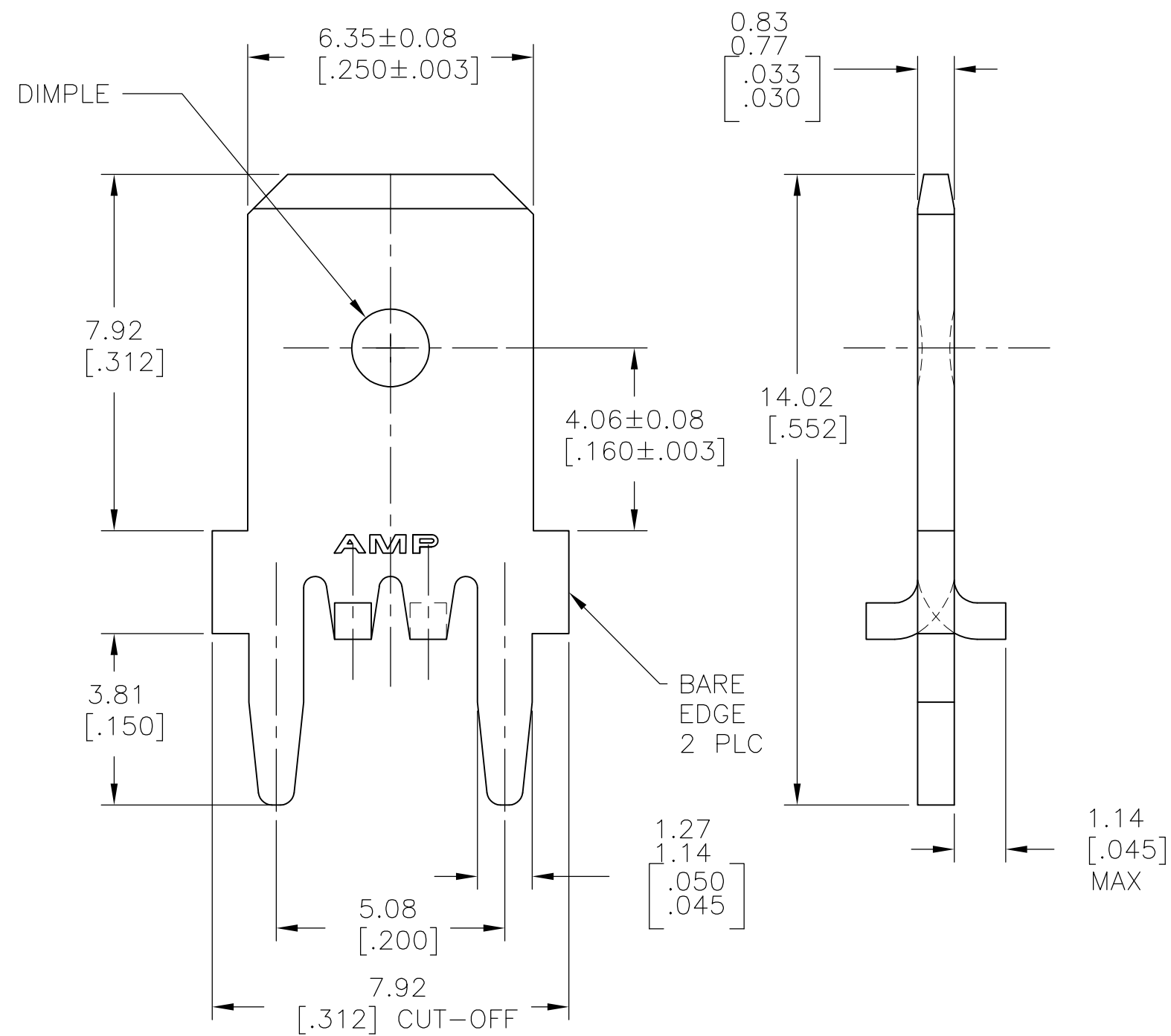
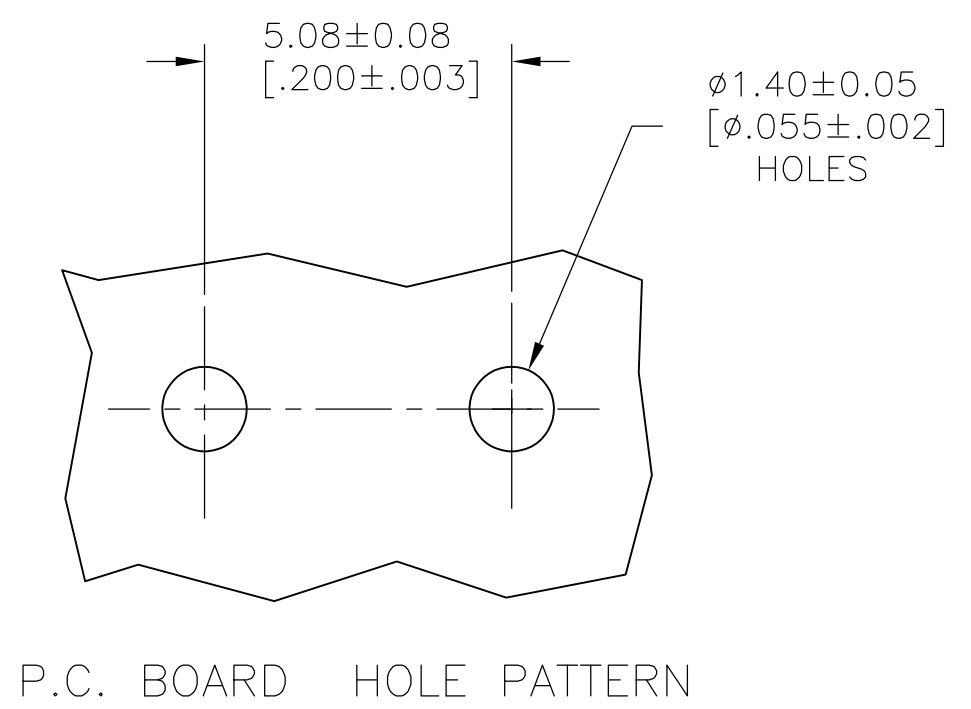


THIS DRAWING IS UNPUBLISHED. RELEASED FOR PUBLICATION  
 © COPYRIGHT - By - ALL RIGHTS RESERVED.

LOC	DIST	REVISIONS			
P	LTR	DESCRIPTION	DATE	DWN	APVD
AF	50	C	REVISED PER ECR-13-001204	03JUL13	KH PD



- 1 SUPPLIED IN LOOSE PIECE AFTER PLATING
- 2 TIN PLATE 0.00381 [.000150] MIN OVER 0.00254 [.000100] MIN THK COPPER.



1742188-1  
 PART NO.

THIS DRAWING IS A CONTROLLED DOCUMENT.		DWN JR RUTH 04OCT04	TE Connectivity		
DIMENSIONS: mm [INCHES]		CHK KRISTY YI 04OCT04			
TOLERANCES UNLESS OTHERWISE SPECIFIED:		APVD KRISTY YI 04OCT04	NAME		
0 PLC ± - 1 PLC ± - 2 PLC ± 0.25 [.010] 3 PLC ± - 4 PLC ± - ANGLES ± -		PRODUCT SPEC -	TAB, FASTON, P.C.BOARD		
MATERIAL BRASS		FINISH	6.35 [.250] SERIES		
			LOOSE PIECE		
			SIZE A3	CAGE CODE 00779	DRAWING NO C-1742188
CUSTOMER DRAWING		RESTRICTED TO -	SCALE 8:1 SHEET 1 OF 1 REV C		